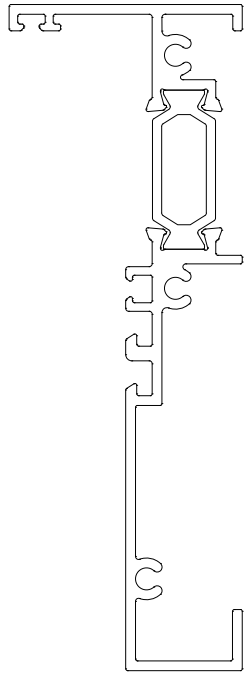


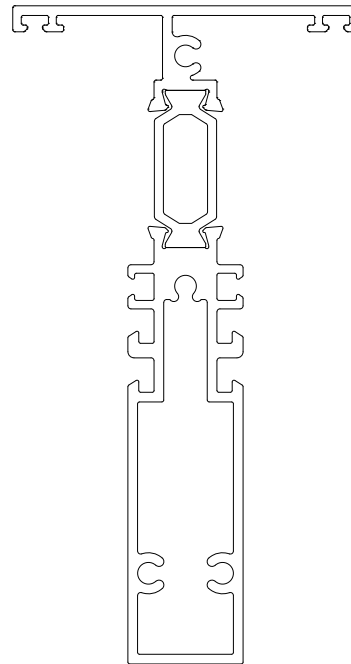
1850 FIXED WINDOW

185.2.20.0.0
SECTION (FLAT)

Double Glazed



108.9mm ($4 \frac{5}{16}$ ") - Flat
Rolled Perimeter Frame



108.9mm ($4 \frac{5}{16}$ ") - Flat
Rolled Mullion

1850 Double Glazed series with flat exterior framing is the basic among all window section profiles. This profile series provides better exterior view and lighting reception due to its thin framing. It also provide unlimited option to any custom size operable windows and/or doors.



ENERFREES™
Window & Wall Systems

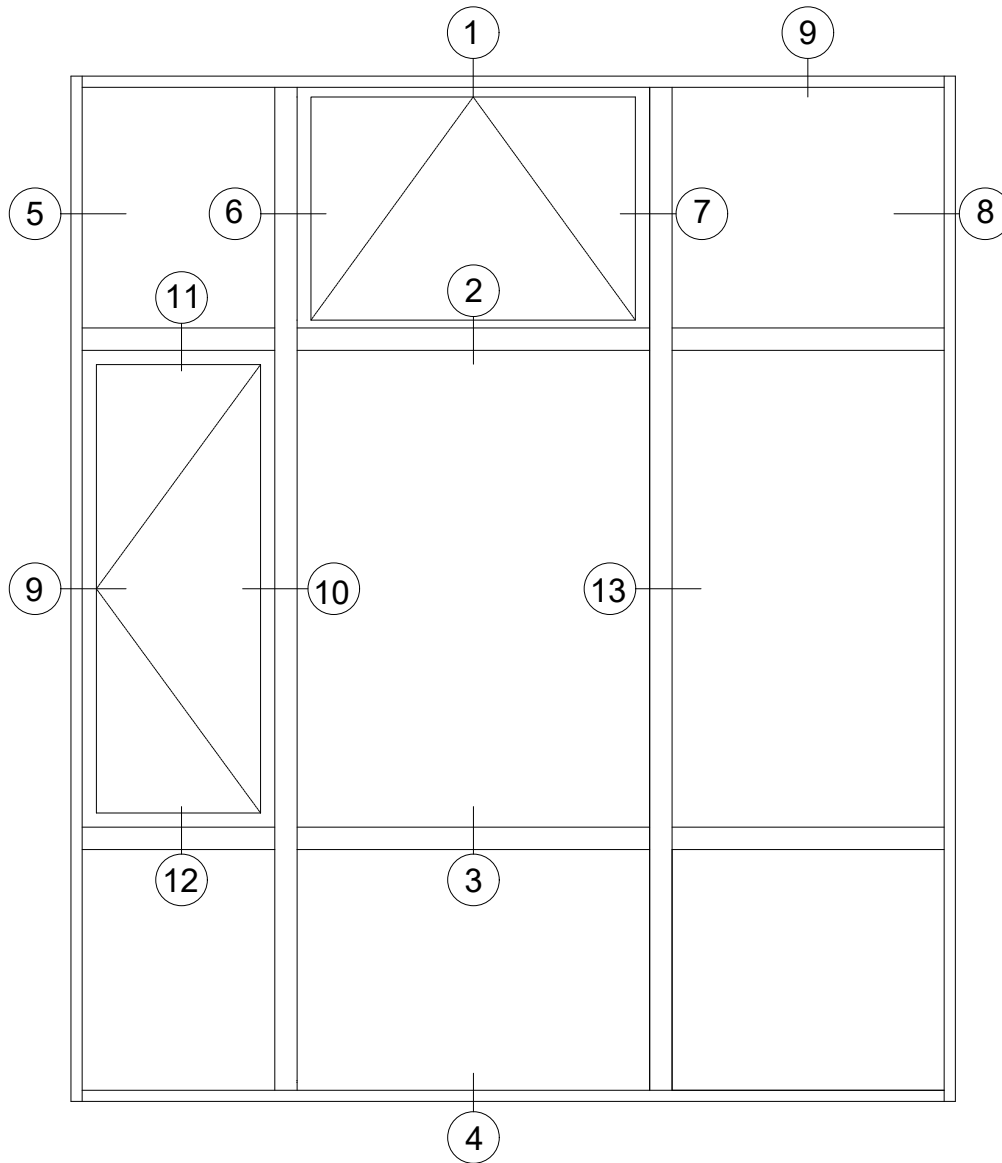
Manufacturer of High-performance Aluminum Systems
Address: 6 Denison St., Markham, Ontario, L3R 1B6
Tel: 1-800-678-1118 905-604-5118
www.enerfrees.com info@enerfrees.com

V2022.10

1850 FIXED WINDOW

185.2.20.0
SECTION (FLAT)

Double Glazed



ENERFREES™
Window & Wall Systems

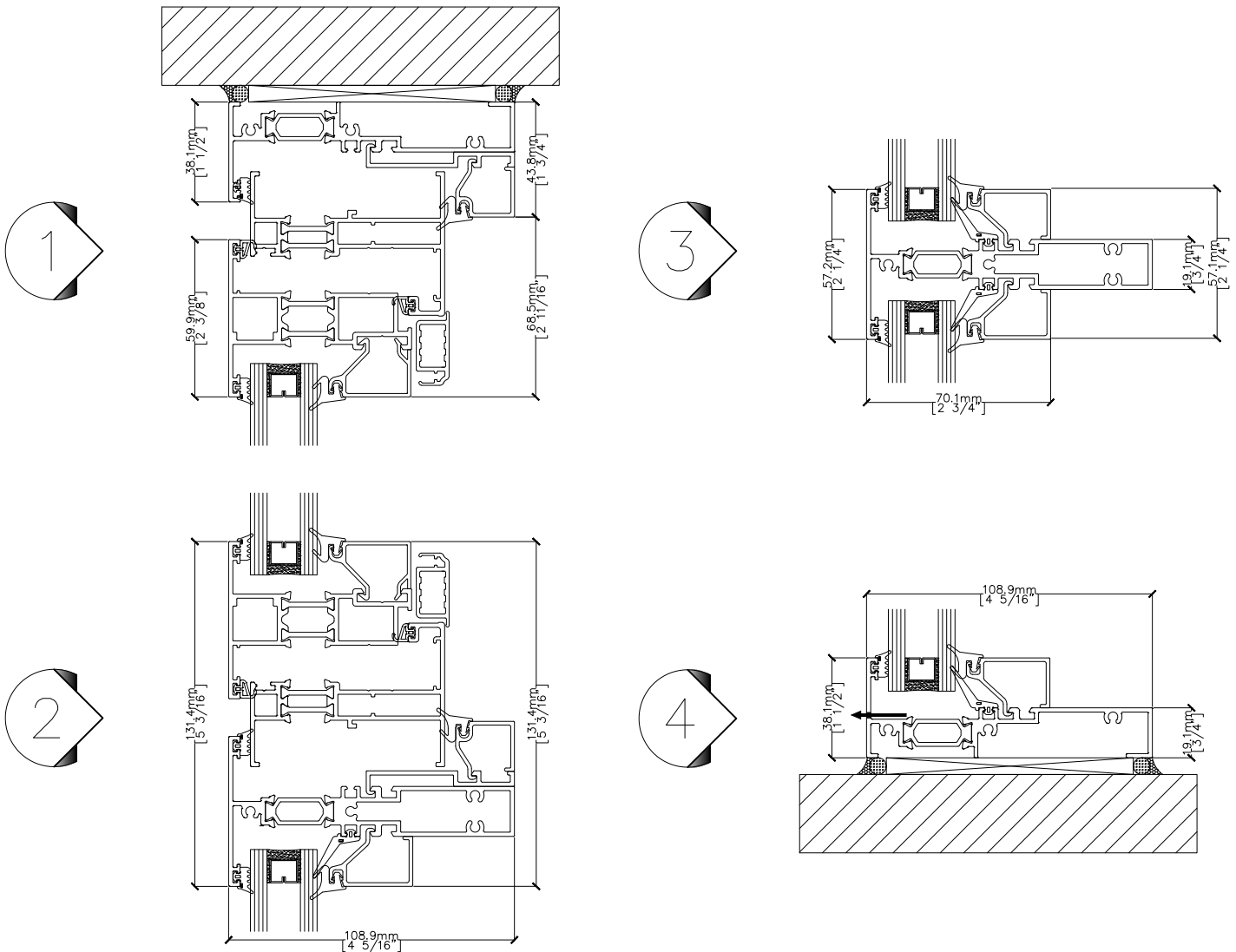
Manufacturer of High-performance Aluminum Systems
Address: 6 Denison St., Markham, Ontario, L3R 1B6
Tel: 1-800-678-1118 905-604-5118
www.enerfrees.com info@enerfrees.com

V2022.10

1850 FIXED WINDOW

185.2.20.1
SECTION (FLAT)

Double Glazed



ENERFREES™
Window & Wall Systems

Manufacturer of High-performance Aluminum Systems
Address: 6 Denison St., Markham, Ontario, L3R 1B6
Tel: 1-800-678-1118
www.enerfrees.com

905-604-5118
info@enerfrees.com

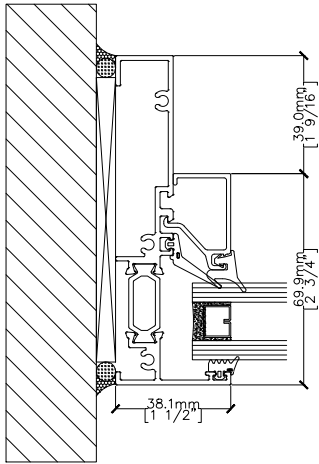
V2022.10

1850 FIXED WINDOW

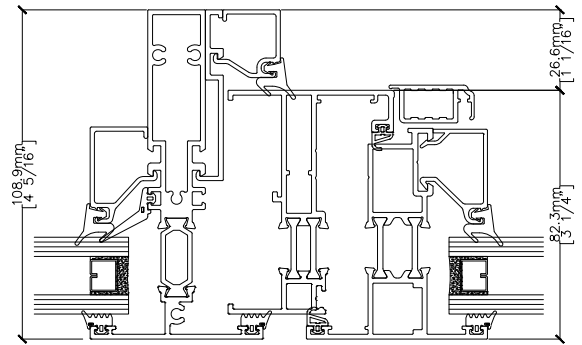
185.2.20.2
SECTION (FLAT)

Double Glazed

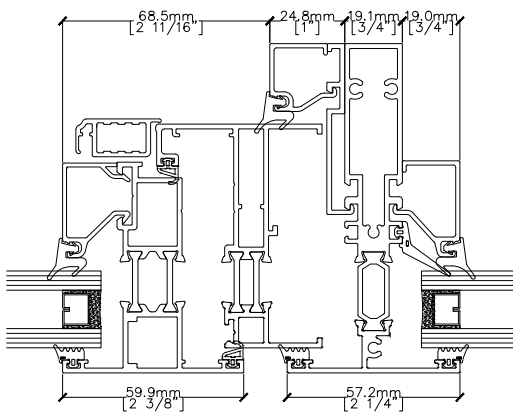
5



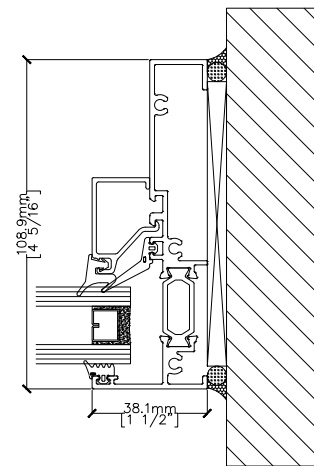
6



7



8



ENERFREES™
Window & Wall Systems

Manufacturer of High-performance Aluminum Systems
Address: 6 Denison St., Markham, Ontario, L3R 1B6
Tel: 1-800-678-1118
www.enerfrees.com

905-604-5118
info@enerfrees.com

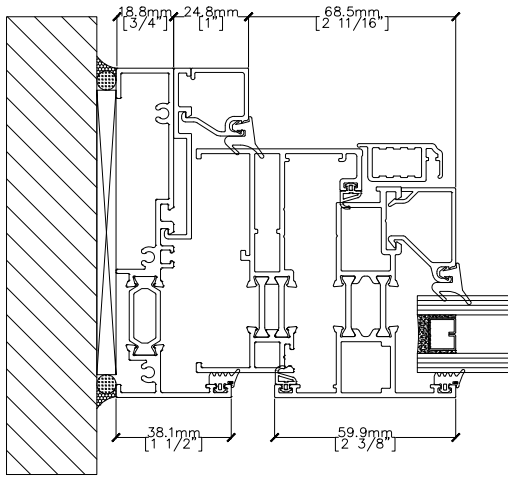
V2022.10

1850 FIXED WINDOW

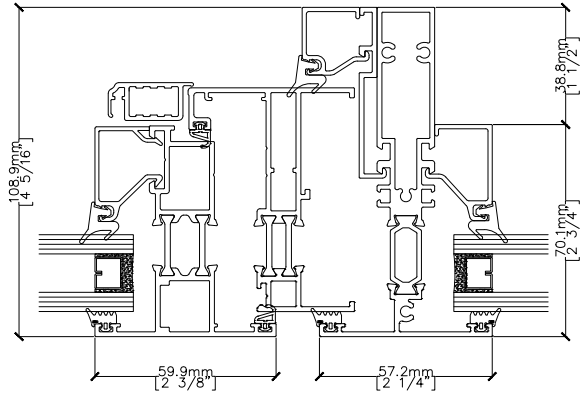
185.2.20.3
SECTION (FLAT)

Double Glazed

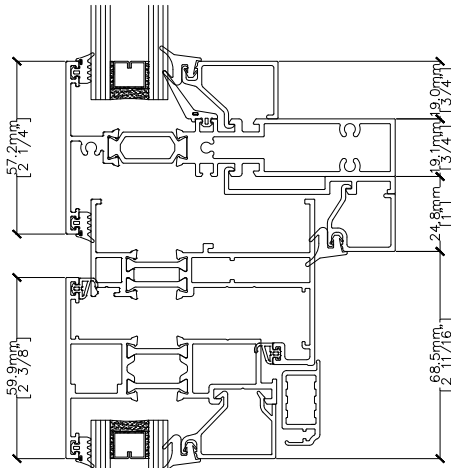
9



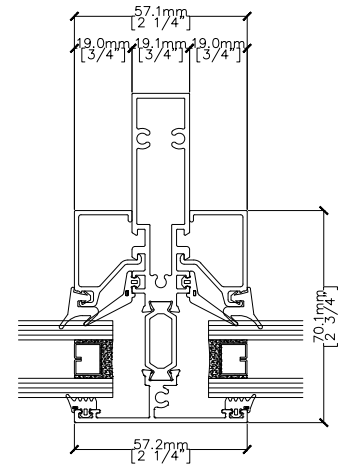
10



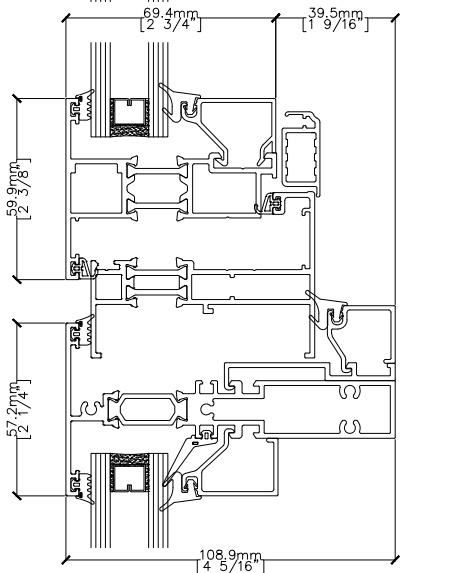
11



13



12



ENERFREES™
Window & Wall Systems

Manufacturer of High-performance Aluminum Systems
Address: 6 Denison St., Markham, Ontario, L3R 1B6
Tel: 1-800-678-1118
www.enerfrees.com

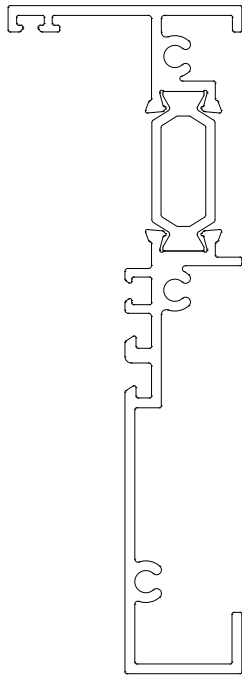
905-604-5118
info@enerfrees.com

V2022.10

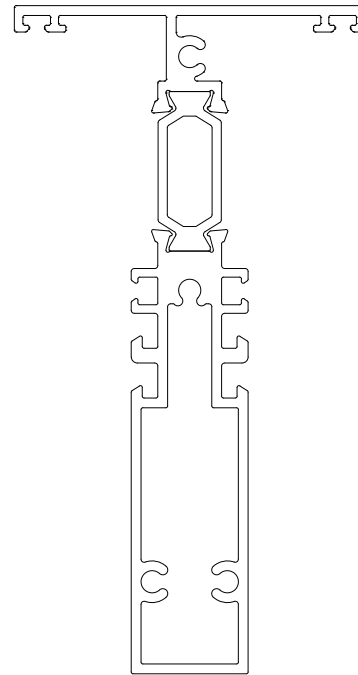
1850 FIXED WINDOW

185.3.20.0.0
SECTION (FLAT)

Triple Glazed



108.9mm (4 $\frac{5}{16}$ ") - Flat
Rolled Perimeter Frame



108.9mm (4 $\frac{5}{16}$ ") - Flat
Rolled Mullion

1850 Triple Glazed series with flat exterior framing is the basic among all window section profiles. This profile series provides better exterior view and lighting reception due to its thin framing. It also provide unlimited option to any custom size operable windows and/or doors.



ENERFREES™
Window & Wall Systems

Manufacturer of High-performance Aluminum Systems
Address: 6 Denison St., Markham, Ontario, L3R 1B6
Tel: 1-800-678-1118
www.enerfrees.com

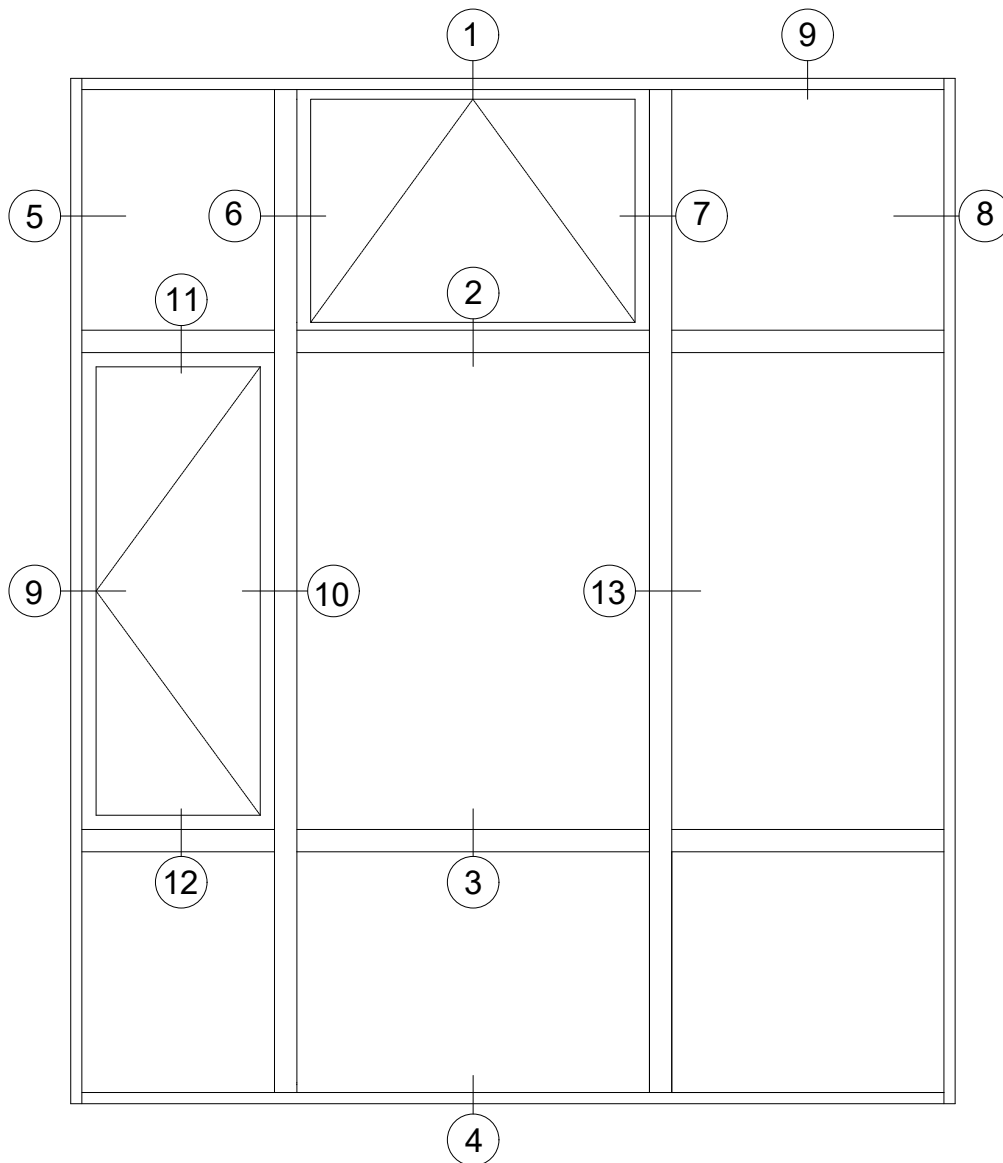
905-604-5118
info@enerfrees.com

V2022.10

1850 FIXED WINDOW

185.3.20.0
SECTION (FLAT)

Triple Glazed



ENERFREES™
Window & Wall Systems

Manufacturer of High-performance Aluminum Systems
Address: 6 Denison St., Markham, Ontario, L3R 1B6
Tel: 1-800-678-1118
www.enerfrees.com

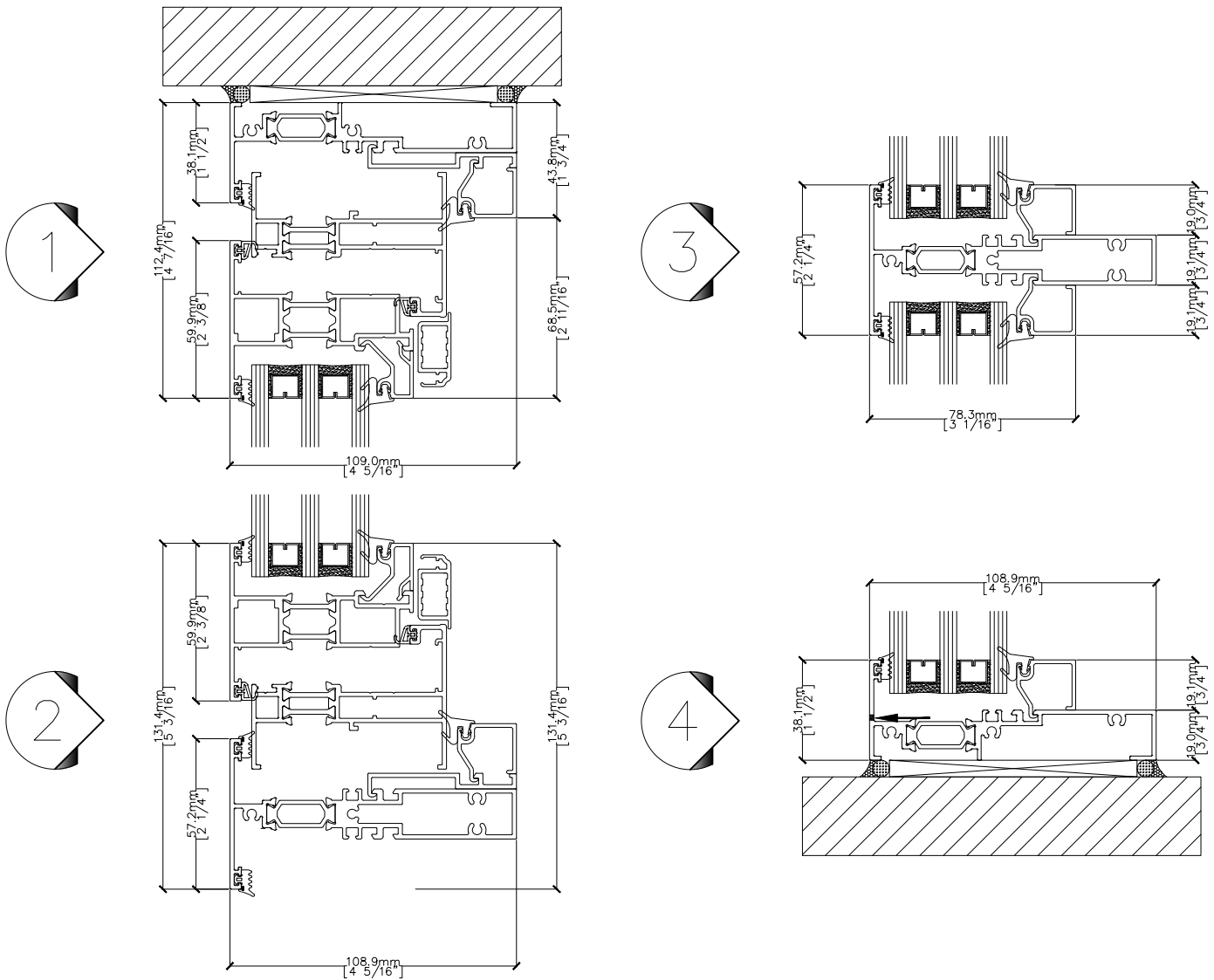
905-604-5118
info@enerfrees.com

V2022.10

1850 FIXED WINDOW

185.3.20.1
SECTION (FLAT)

Triple Glazed



ENERFREES™
Window & Wall Systems

Manufacturer of High-performance Aluminum Systems
Address: 6 Denison St., Markham, Ontario, L3R 1B6
Tel: 1-800-678-1118
www.enerfrees.com

905-604-5118
info@enerfrees.com

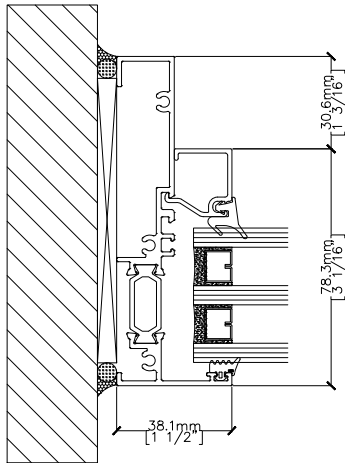
V2022.10

1850 FIXED WINDOW

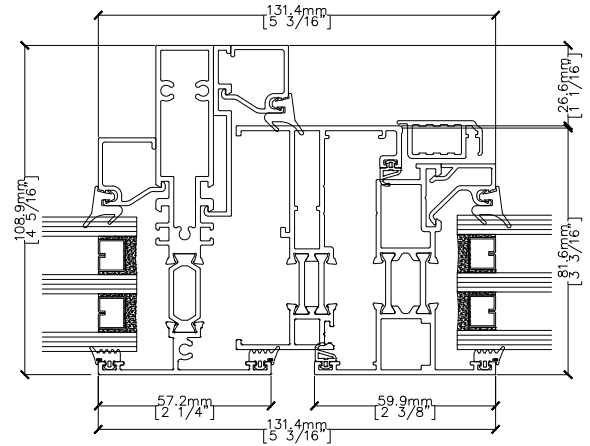
185.3.20.2
SECTION (FLAT)

Triple Glazed

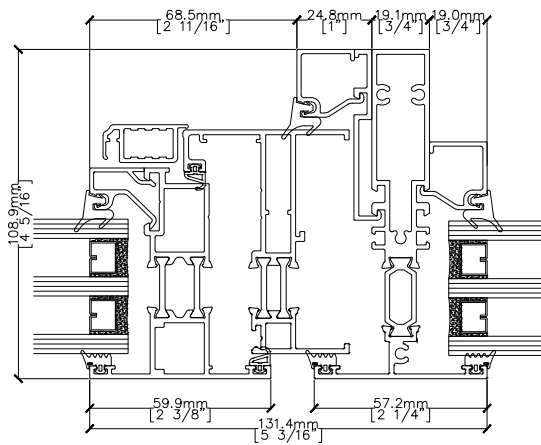
5



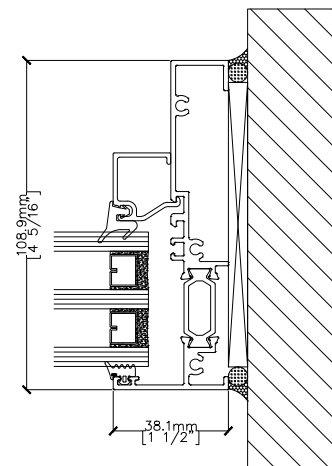
6



7



8

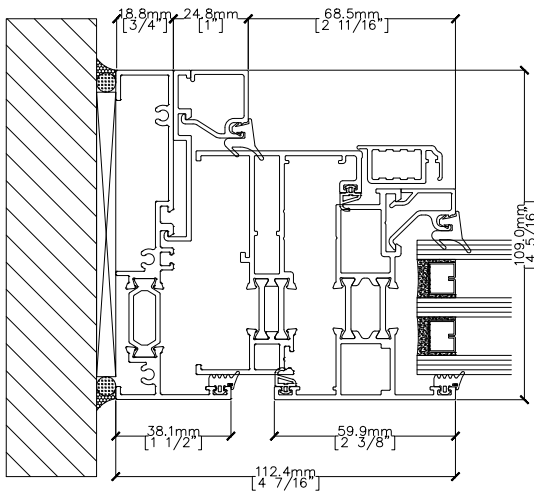


1850 FIXED WINDOW

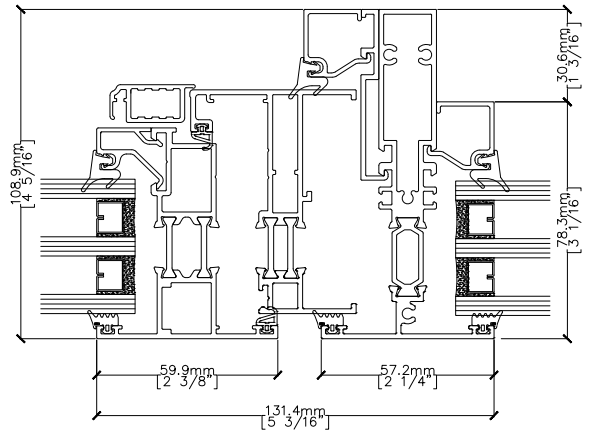
185.3.20.3
SECTION (FLAT)

Triple Glazed

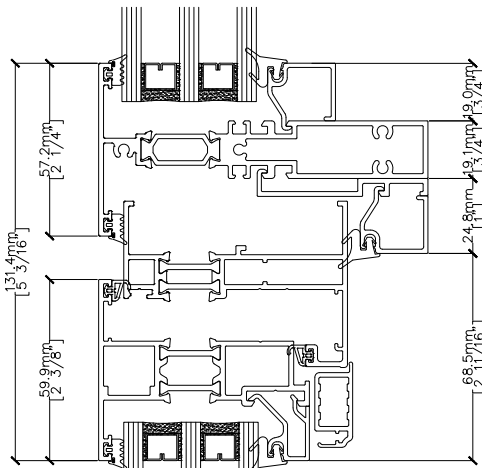
9



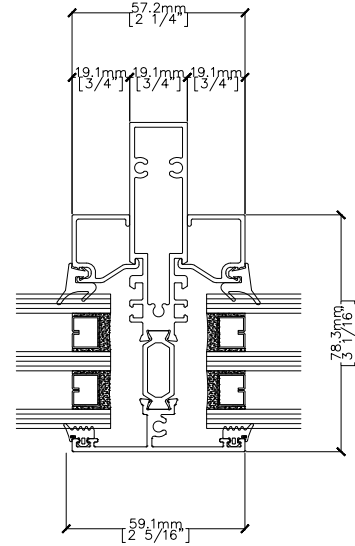
10



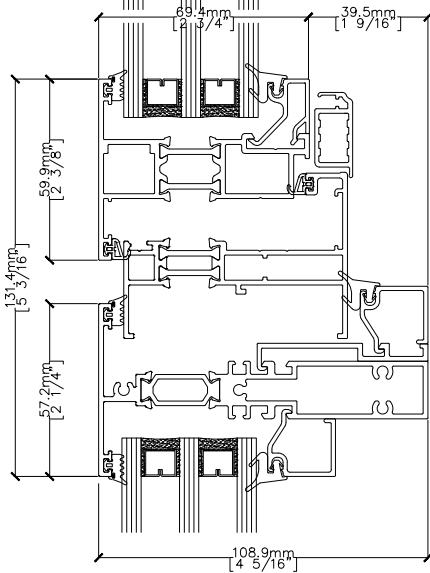
11



13



12



ENERFREES™
Window & Wall Systems

Manufacturer of High-performance Aluminum Systems
Address: 6 Denison St., Markham, Ontario, L3R 1B6
Tel: 1-800-678-1118
www.enerfrees.com

905-604-5118
info@enerfrees.com

V2022.10

1850 FIXED WINDOW

185.4.1
WIND LOAD CHART (FLAT)

A = 20 PSF

B = 25 PSF

C = 30 PSF

D = 35 PSF

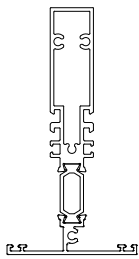
E = 40 PSF

F = 50 PSF

G = 60 PSF

$I_x = 2.0789 \text{ in}^4$

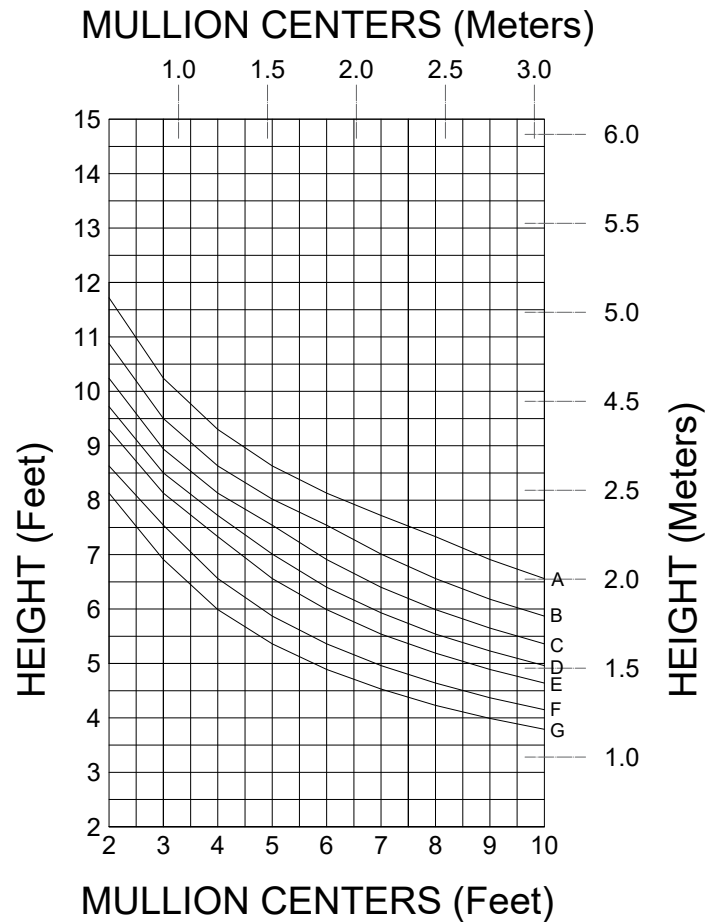
$S_x = 0.8137 \text{ in}^3$



185015

108.9mm (4 1/4")

Mullion (Vertical/Horizontal)



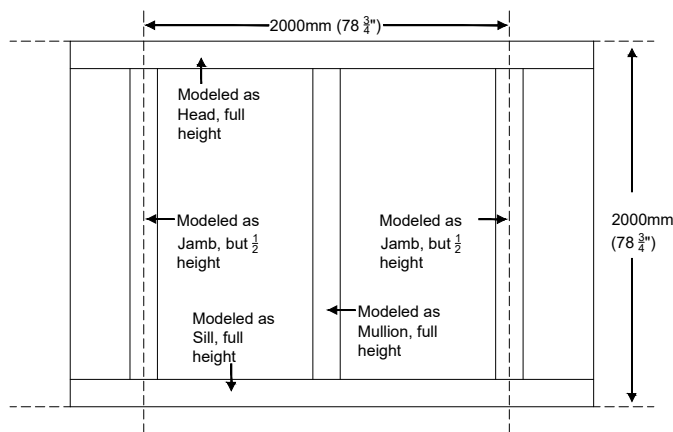
ENERFREES™
Window & Wall Systems

Manufacturer of High-performance Aluminum Systems
Address: 6 Denison St., Markham, Ontario, L3R 1B6
Tel: 1-800-678-1118
www.enerfrees.com

905-604-5118
info@enerfrees.com

V2022.10

1. The overall product U-factors are determined in accordance with NFRC 100-2010.
2. The Center-of-Glazing U-factors are determined by the insulated glass unit (IGU) and provided for by glass manufacturer/supplier.
3. The simulated specimen size is based on NFRC 100-2010 Table 4-3 Product Type Window Wall, which is 2000mm (78 3/4") width by 2000mm (78 3/4") and height (full height of head and sill, 1/2 width of the vertical mullion). See below:



DOUBLE GLAZED

METRIC UNIT

Center-of-Glazing U-factor (W/m ² -K)	Non-metal Spacer	Aluminum Spacer
	Product U-factor (W/m ² -K)	Product U-factor (W/m ² -K)
1.00	1.35	1.61
1.10	1.44	1.69
1.20	1.52	1.77
1.30	1.61	1.86
1.40	1.70	1.94
1.50	1.78	2.02
1.60	1.87	2.11
1.70	1.96	2.19
1.80	2.04	2.27
1.90	2.13	2.35
2.00	2.21	2.44
2.10	2.30	2.52
2.20	2.39	2.60
2.30	2.47	2.69
2.40	2.56	2.77
2.50	2.64	2.85

IMPERIAL UNIT

Center-of-Glazing U-factor (Btu/h-ft ² -F)	Non-metal Spacer	Aluminum Spacer
	Product U-factor (Btu/h-ft ² -F)	Product U-factor (Btu/h-ft ² -F)
0.18	0.24	0.29
0.20	0.26	0.30
0.22	0.28	0.32
0.24	0.29	0.34
0.26	0.31	0.35
0.28	0.33	0.37
0.30	0.34	0.39
0.32	0.36	0.40
0.34	0.38	0.42
0.36	0.40	0.44
0.38	0.41	0.45
0.40	0.43	0.47
0.42	0.45	0.49
0.44	0.47	0.50



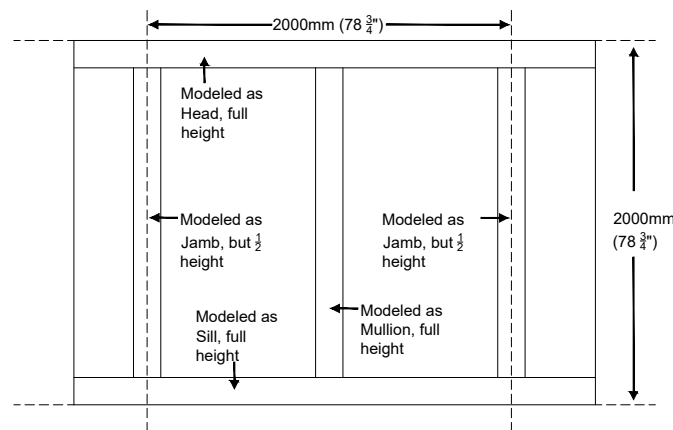
ENERFREES™
Window & Wall Systems

Manufacturer of High-performance Aluminum Systems
Address: 6 Denison St., Markham, Ontario, L3R 1B6
Tel: 1-800-678-1118 905-604-5118
www.enerfrees.com info@enerfrees.com

V2022.10

1850 FIXED WINDOW

1. The overall product U-factors are determined in accordance with NFRC 100-2010.
2. The Center-of-Glazing U-factors are determined by the insulated glass unit (IGU) and should be obtained from the glass supplier.
3. The simulated specimen size is based on NFRC 100-2010 Table 4-3 Product Type Window Wall, which is 2000mm (78 3/4") width by 2000mm (78 3/4") height (full height of head and sill, 1/2 width of the vertical mullion). See below:



TRIPLE GLAZED

METRIC UNIT

Center-of-Glazing U-factor (W/m ² -K)	Non-metal Spacer Product	Aluminum Spacer Product
	U-factor (W/m ² -K)	U-factor (W/m ² -K)
0.50	0.86	1.12
0.60	0.95	1.20
0.70	1.03	1.29
0.80	1.12	1.37
0.90	1.21	1.46
1.00	1.30	1.54
1.10	1.39	1.63
1.20	1.47	1.71
1.30	1.56	1.80
1.40	1.65	1.88
1.50	1.74	1.97
1.60	1.83	2.05
1.70	1.92	2.14

IMPERIAL UNIT

Center-of-Glazing U-factor (Btu/h-ft ² -F)	Non-metal Spacer Product	Aluminum Spacer Product
	U-factor (Btu/h-ft ² -F)	U-factor (Btu/h-ft ² -F)
0.10	0.16	0.21
0.12	0.18	0.22
0.14	0.20	0.24
0.16	0.21	0.26
0.18	0.23	0.27
0.20	0.25	0.29
0.22	0.27	0.31
0.24	0.29	0.33
0.26	0.30	0.34
0.28	0.32	0.36
0.30	0.34	0.38