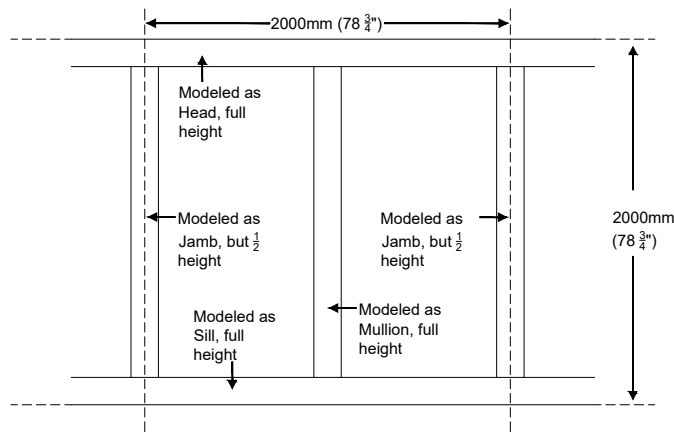


1. The overall product U-factors are determined in accordance with NFRC 100-2010.
2. The Center-of-Glazing U-factors are determined by the insulated glass unit (IGU) and provided for by glass manufacturer/supplier.
3. The simulated specimen size is based on NFRC 100-2010 Table 4-3 Product Type Window Wall, which is 2000mm (78 3/4") width by 2000mm (78 3/4") and height (full height of head and sill, 1/2 width of the vertical mullion). See below:



DOUBLE GLAZED

METRIC UNIT

Center-of-Glazing U-factor (W/m ² -K)	Non-metal Spacer	Aluminum Spacer
	Product U-factor (W/m ² -K)	Product U-factor (W/m ² -K)
1.00	1.35	1.61
1.10	1.44	1.69
1.20	1.52	1.77
1.30	1.61	1.86
1.40	1.70	1.94
1.50	1.78	2.02
1.60	1.87	2.11
1.70	1.96	2.19
1.80	2.04	2.27
1.90	2.13	2.35
2.00	2.21	2.44
2.10	2.30	2.52
2.20	2.39	2.60
2.30	2.47	2.69
2.40	2.56	2.77
2.50	2.64	2.85

IMPERIAL UNIT

Center-of-Glazing U-factor (Btu/h-ft ² -F)	Non-metal Spacer	Aluminum Spacer
	Product U-factor (Btu/h-ft ² -F)	Product U-factor (Btu/h-ft ² -F)
0.18	0.24	0.29
0.20	0.26	0.30
0.22	0.28	0.32
0.24	0.29	0.34
0.26	0.31	0.35
0.28	0.33	0.37
0.30	0.34	0.39
0.32	0.36	0.40
0.34	0.38	0.42
0.36	0.40	0.44
0.38	0.41	0.45
0.40	0.43	0.47
0.42	0.45	0.49
0.44	0.47	0.50



ENERFREES™
Window & Wall Systems

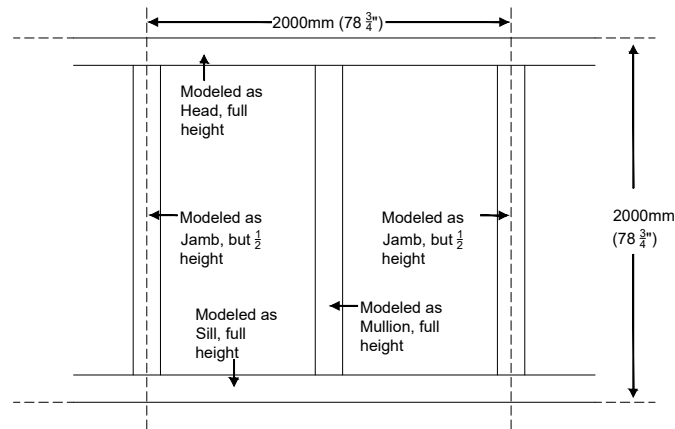
Manufacturer of High-performance Aluminum Systems
Address: 6 Denison St., Markham, Ontario, L3R 1B6
Tel: 1-800-678-1118
www.enerfrees.com

905-604-5118
info@enerfrees.com

V2022.10

1850 FIXED WINDOW

1. The overall product U-factors are determined in accordance with NFRC 100-2010.
2. The Center-of-Glazing U-factors are determined by the insulated glass unit (IGU) and should be obtained from the glass supplier.
3. The simulated specimen size is based on NFRC 100-2010 Table 4-3 Product Type Window Wall, which is 2000mm (78 3/4") width by 2000mm (78 3/4") height (full height of head and sill, 1/2 width of the vertical mullion). See below:



TRIPLE GLAZED

METRIC UNIT

Center-of-Glazing U-factor (W/m ² -K)	Non-metal Spacer Product U-factor (W/m ² -K)	Aluminum Spacer Product U-factor (W/m ² -K)
0.50	0.86	1.12
0.60	0.95	1.20
0.70	1.03	1.29
0.80	1.12	1.37
0.90	1.21	1.46
1.00	1.30	1.54
1.10	1.39	1.63
1.20	1.47	1.71
1.30	1.56	1.80
1.40	1.65	1.88
1.50	1.74	1.97
1.60	1.83	2.05
1.70	1.92	2.14

IMPERIAL UNIT

Center-of-Glazing U-factor (Btu/h-ft ² -F)	Non-metal Spacer Product U-factor (Btu/h-ft ² -F)	Aluminum Spacer Product U-factor (Btu/h-ft ² -F)
0.10	0.16	0.21
0.12	0.18	0.22
0.14	0.20	0.24
0.16	0.21	0.26
0.18	0.23	0.27
0.20	0.25	0.29
0.22	0.27	0.31
0.24	0.29	0.33
0.26	0.30	0.34
0.28	0.32	0.36
0.30	0.34	0.38



ENERFREES™
Window & Wall Systems

Manufacturer of High-performance Aluminum Systems
Address: 6 Denison St., Markham, Ontario, L3R 1B6
Tel: 1-800-678-1118 905-604-5118
www.enerfrees.com info@enerfrees.com

V2022.10