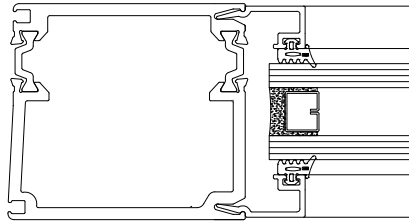


3570 THERMAL DOOR

Enerfrees 3570 Thermal Door - 57.2 mm (2 $\frac{1}{4}$ inches) thick commercial door system can be used in commercial and industrial setting with several size options of stile and rail.



STANDARD DOOR PACKAGE

- Standard hardware: continuous hinge, dead lock, exterior cylinder and interior thumb turn, threshold
- Standard pair door are supplied with flush bolts in the inactive door
- Designed with shear block hardware and welded joint
- Push/pull handle is not included but can supply when specified
- Standard mid-rail installation is 1066.8mm (42 inches) from floor line to center line of the mid-rail

DOOR SIZES

- Ontario Standard opening size for single door is: width 914.4mm (36inches) and 965.2mm (38 inches) and height of 2133.6mm (84 inches)
- Ontario Standard opening size for double door is: width 1828.8mm (72 inches) and 1930.4mm (76 inches) and height of 2133.6mm (84 inches)
- Custom large sizes are available, contact our office for details
- Allow 12.7mm ($\frac{1}{2}$ inch) clearance deduction from the opening size the threshold height, stiles, and top/bottom rails. Opening size shall be provided and confirmation shall be issued for approval.

GLASS

- 3570 series accepts double glass with overall thickness of 25.4mm (1 inch)



ENERFREES™
Window & Wall Systems

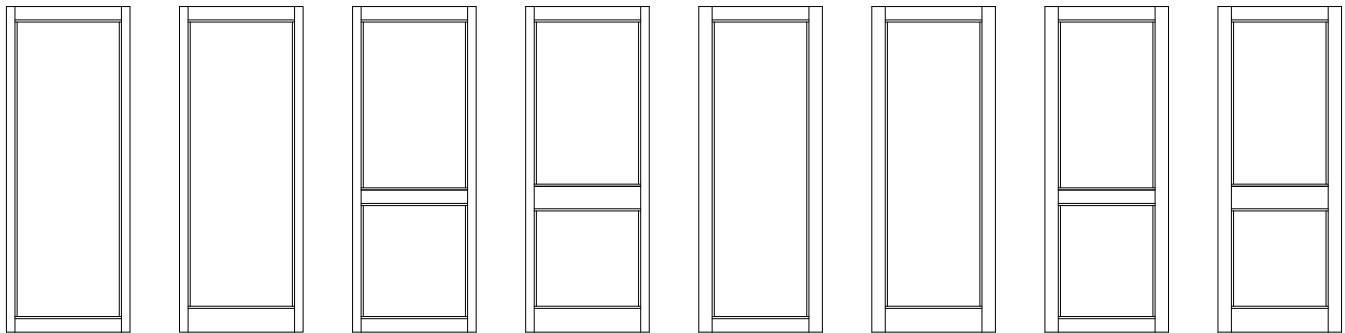
Manufacturer of High-performance Aluminum Systems
Address: 6 Denison St., Markham, Ontario, L3R 1B6
Tel: 1-800-678-1118 905-604-5118
www.enerfrees.com info@enerfrees.com

V2022.10

3570 THERMAL DOOR

3570.225.00.1
DOOR TYPES

TYPES	STILES	TOP RAIL	CENTER RAIL	BOTTOM RAIL
A404	2 1/2" (63.5mm)	3 7/8" (98.4mm)	NONE	3 7/8" (98.4mm)
A406	2 1/2" (63.5mm)	3 7/8" (98.4mm)	NONE	6" (152.4mm)
A444	2 1/2" (63.5mm)	3 7/8" (98.4mm)	4 3/8" (111.11mm)	3 7/8" (98.4mm)
A466	2 1/2" (63.5mm)	3 7/8" (98.4mm)	6 1/2" (165.1mm)	6" (152.4mm)
B404	4" (101.6mm)	3 7/8" (98.4mm)	NONE	3 7/8" (98.4mm)
B406	4" (101.6mm)	3 7/8" (98.4mm)	NONE	6" (152.4mm)
B444	4" (101.6mm)	3 7/8" (98.4mm)	4 3/8" (111.1mm)	3 7/8" (98.4mm)
B466	4" (101.6mm)	3 7/8" (98.4mm)	6 1/2" (165.1mm)	6" (152.4mm)



A404

A406

A444

A446

B404

B406

B444

B446

CENTER AND BOTTOM RAILS HAVE OTHER OPTIONS AVAILABLE



ENERFREES™
Window & Wall Systems

Manufacturer of High-performance Aluminum Systems
Address: 6 Denison St., Markham, Ontario, L3R 1B6
Tel: 1-800-678-1118
www.enerfrees.com

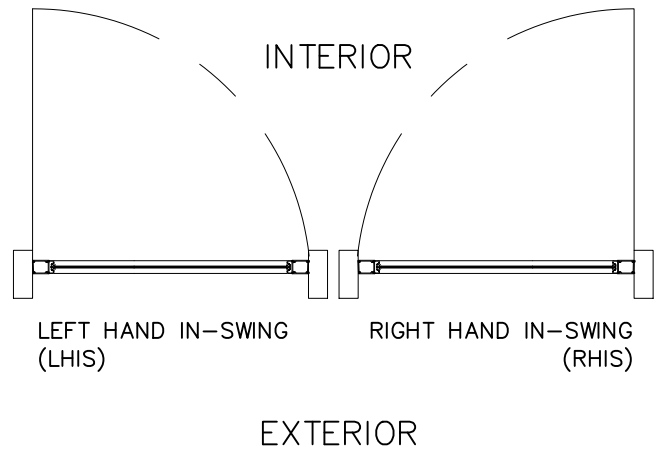
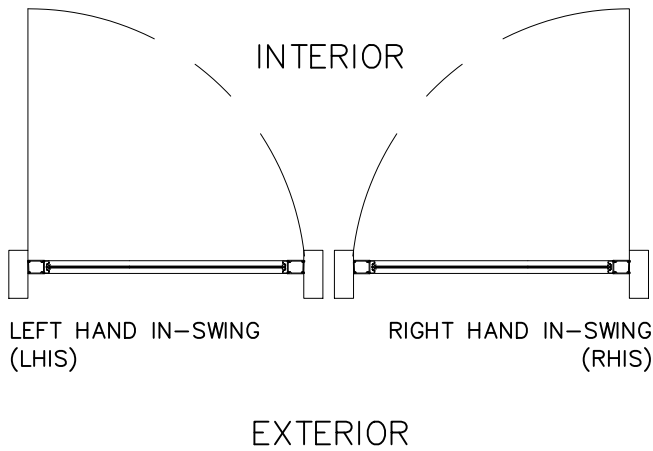
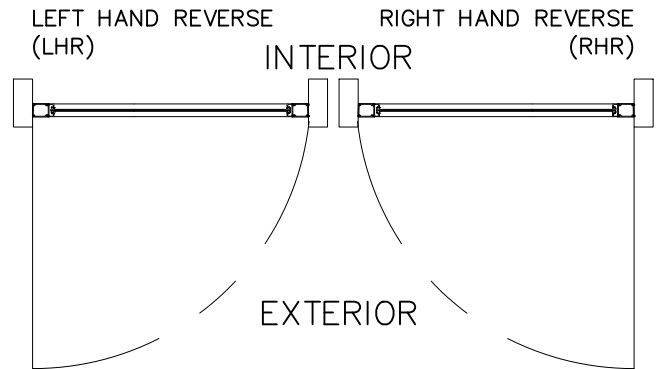
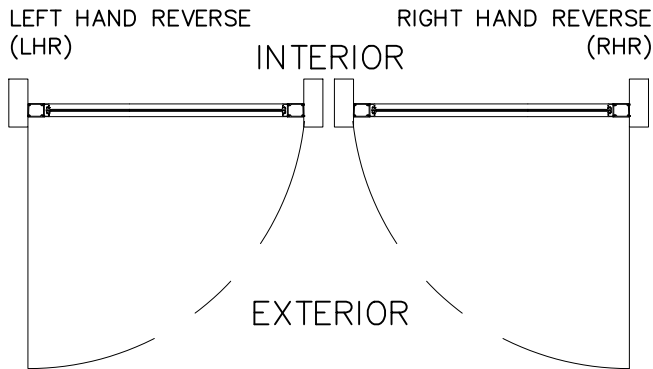
905-604-5118
info@enerfrees.com

V2022.10

3570 THERMAL DOOR

3570.225.00.2
DOOR HANDING

DOOR HANDING
EXTERIOR VIEW REFERENCE



ENERFREES™
Window & Wall Systems

Manufacturer of High-performance Aluminum Systems
Address: 6 Denison St., Markham, Ontario, L3R 1B6
Tel: 1-800-678-1118
www.enerfrees.com

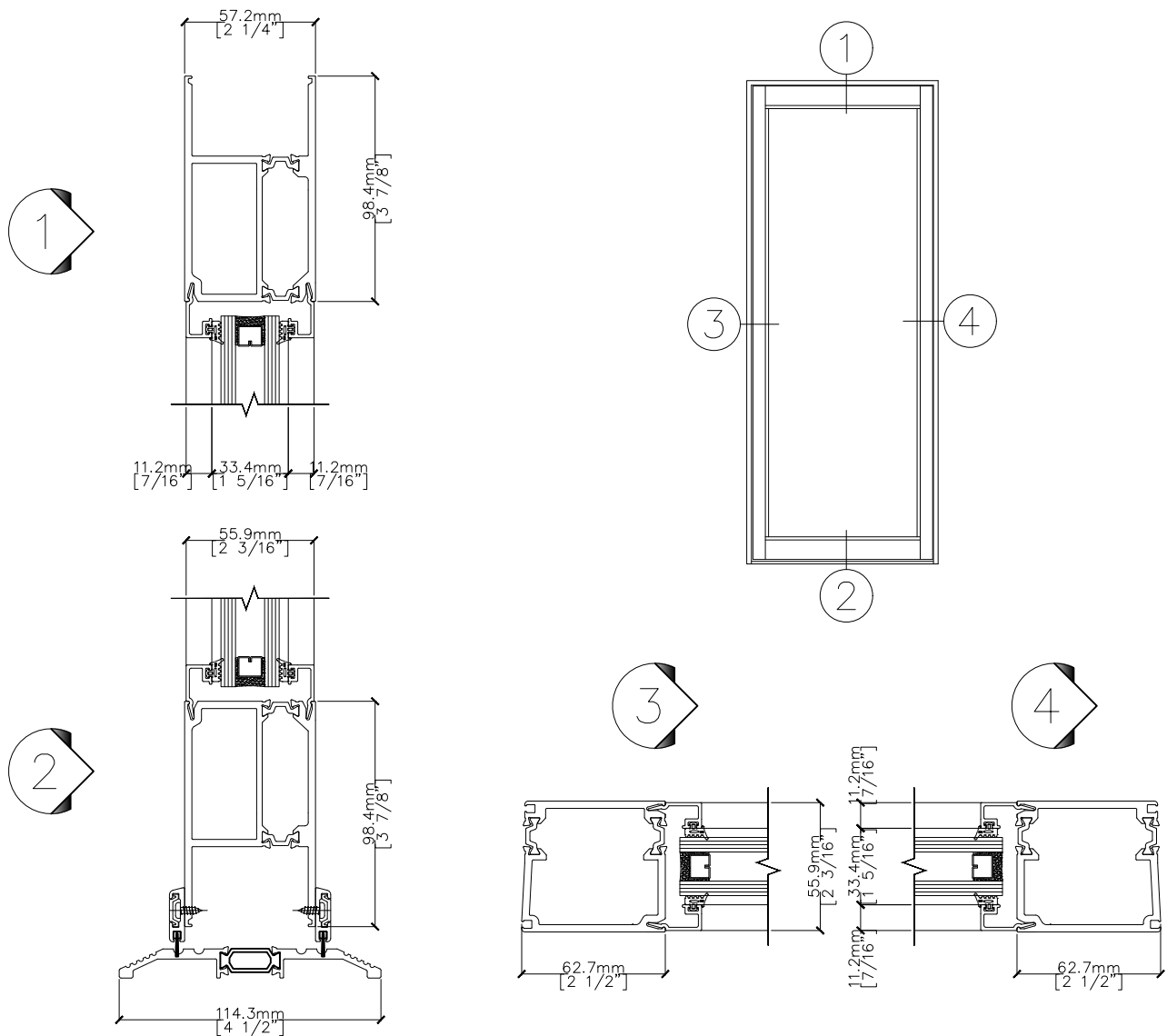
905-604-5118
info@enerfrees.com

V2022.10

3570 THERMAL DOOR

3570.225.10.1

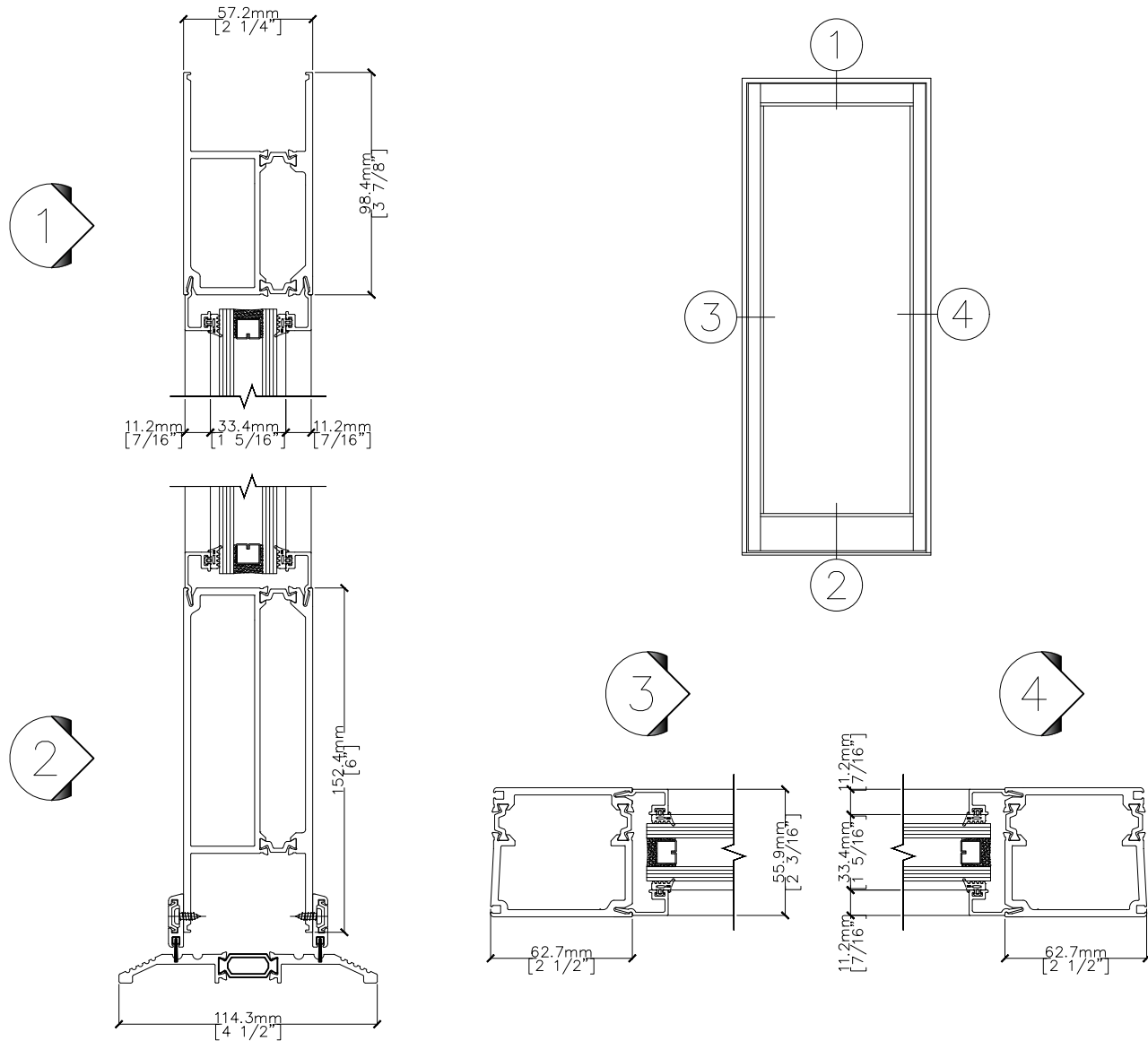
A404



3570 THERMAL DOOR

3570.225.10.2

A406



ENERFREES™
Window & Wall Systems

Manufacturer of High-performance Aluminum Systems
Address: 6 Denison St., Markham, Ontario, L3R 1B6
Tel: 1-800-678-1118
www.enerfrees.com

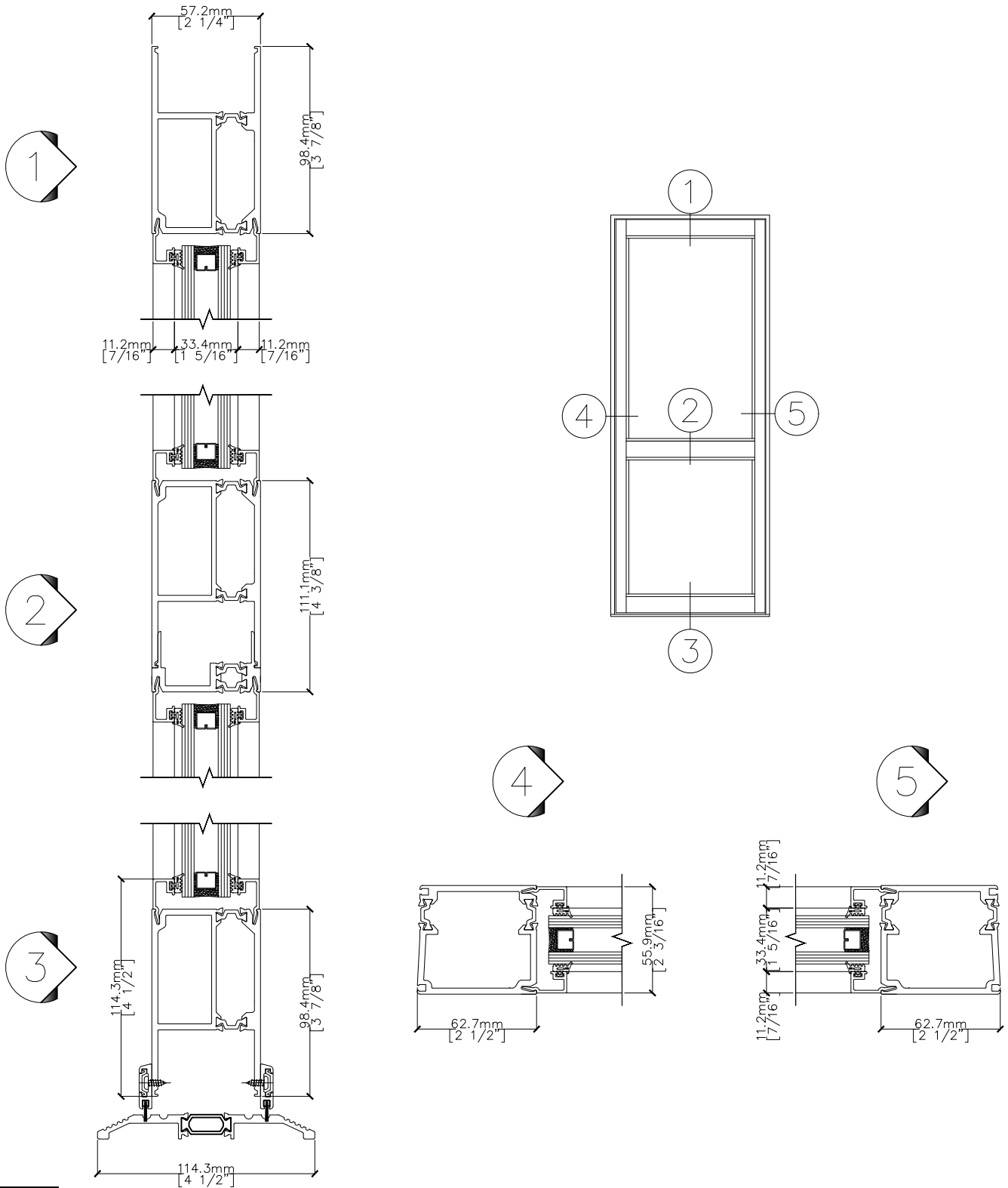
905-604-5118
info@enerfrees.com

V2022.10

3570 THERMAL DOOR

3570.225.10.3

A444



ENERFREES™
Window & Wall Systems

Manufacturer of High-performance Aluminum Systems
Address: 6 Denison St., Markham, Ontario, L3R 1B6
Tel: 1-800-678-1118
www.enerfrees.com

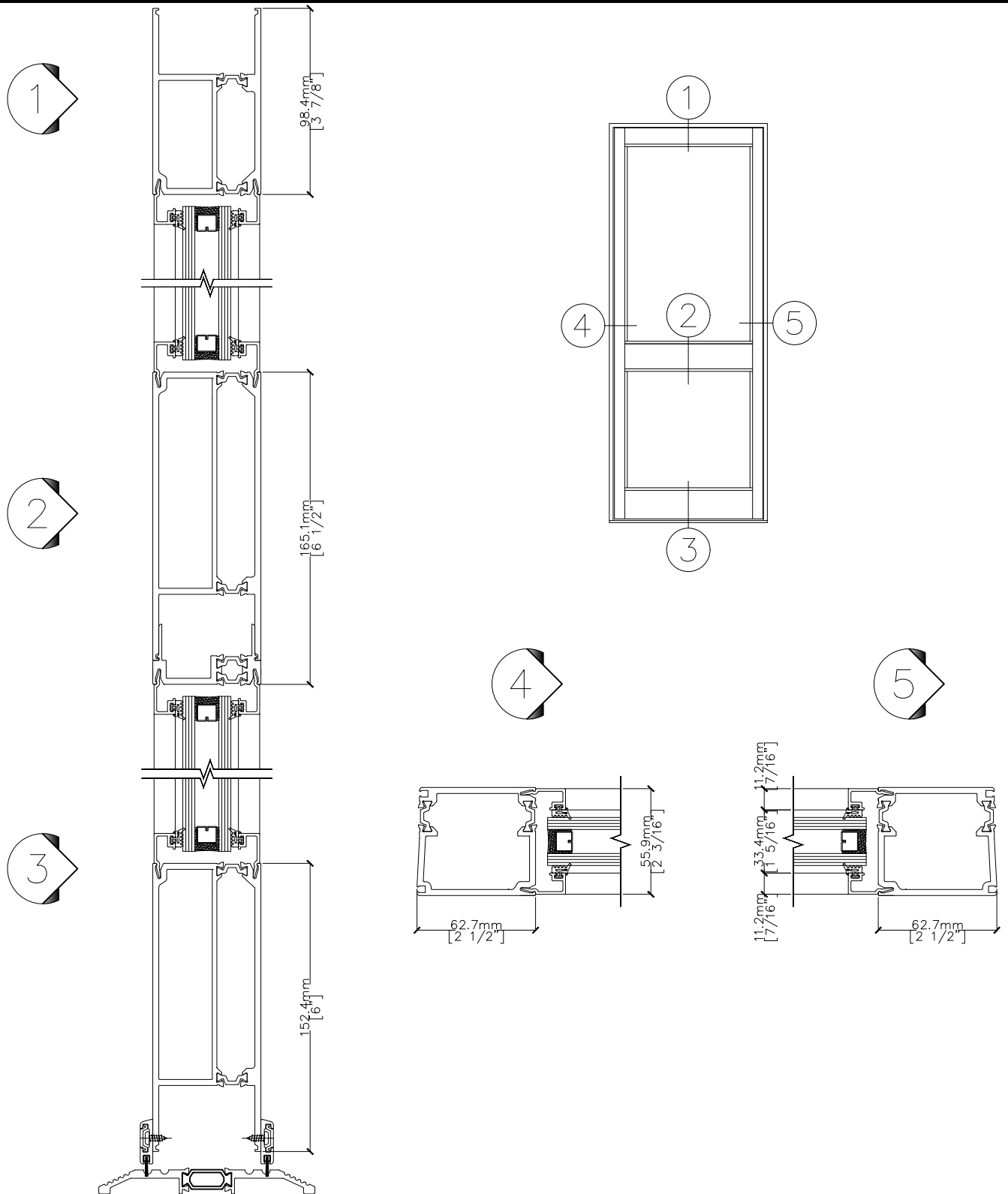
905-604-5118
info@enerfrees.com

V2022.10

3570 THERMAL DOOR

3570.225.10.4

A466



ENERFREES™
Window & Wall Systems

Manufacturer of High-performance Aluminum Systems
Address: 6 Denison St., Markham, Ontario, L3R 1B6
Tel: 1-800-678-1118
www.enerfrees.com

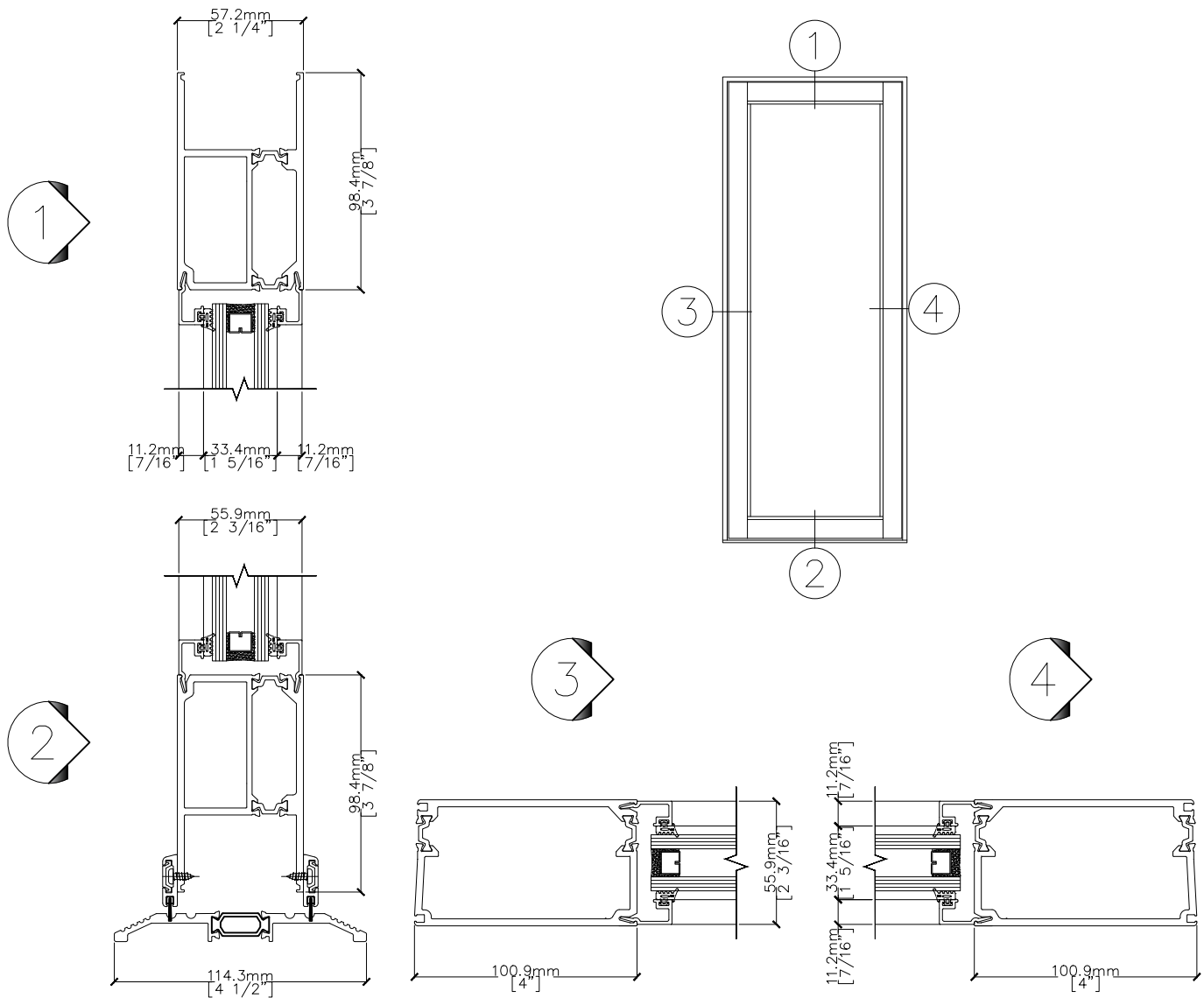
905-604-5118
info@enerfrees.com

V2022.10

3570 THERMAL DOOR

3570.225.20.1

B404



ENERFREES™
Window & Wall Systems

Manufacturer of High-performance Aluminum Systems
Address: 6 Denison St., Markham, Ontario, L3R 1B6
Tel: 1-800-678-1118
www.enerfrees.com

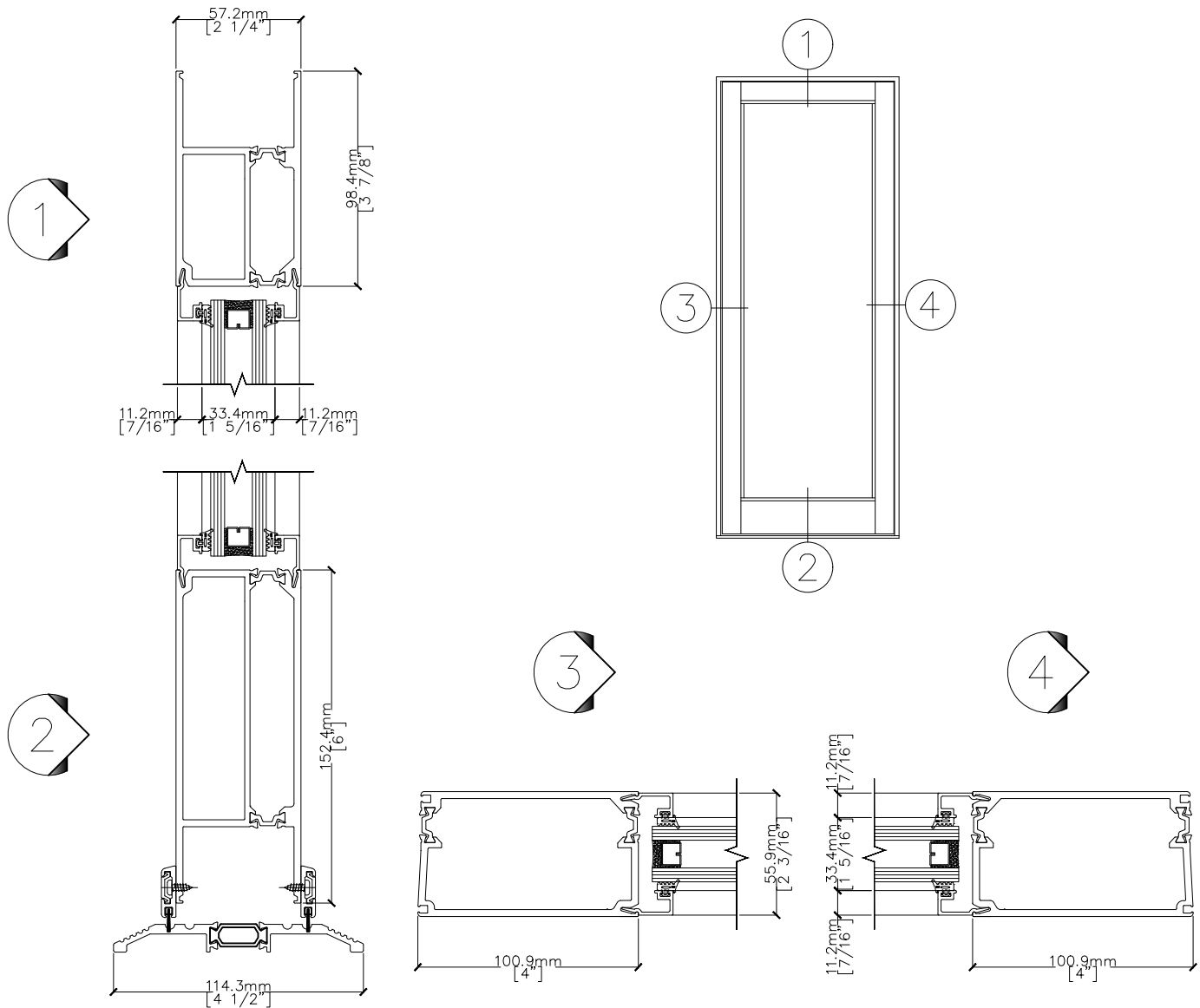
905-604-5118
info@enerfrees.com

V2022.10

3570 THERMAL DOOR

3570.225.20.2

B406



ENERFREES™
Window & Wall Systems

Manufacturer of High-performance Aluminum Systems
Address: 6 Denison St., Markham, Ontario, L3R 1B6
Tel: 1-800-678-1118
www.enerfrees.com

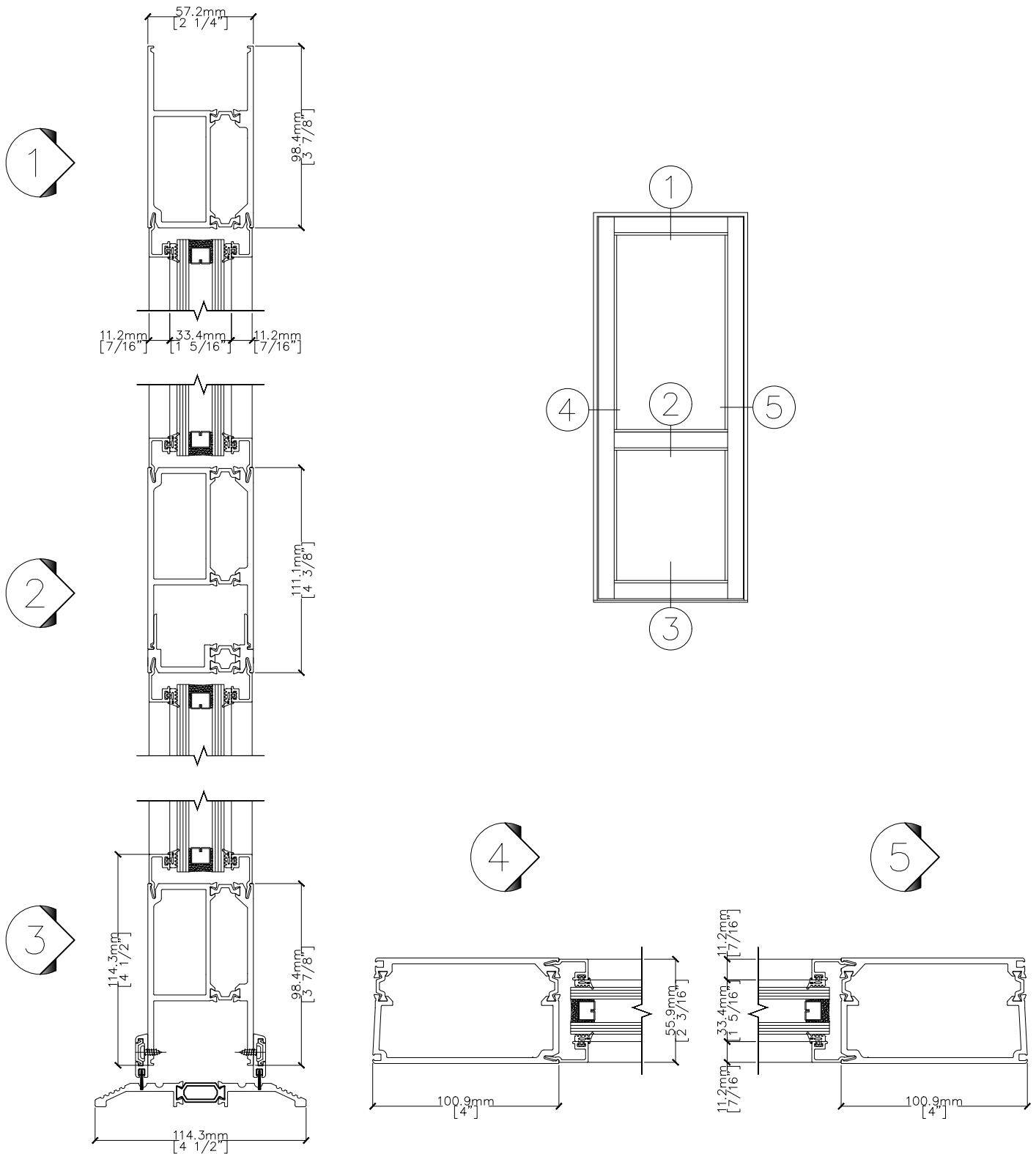
905-604-5118
info@enerfrees.com

V2022.10

3570 THERMAL DOOR

3570.225.20.3

B444



ENERFREES™
Window & Wall Systems

Manufacturer of High-performance Aluminum Systems
Address: 6 Denison St., Markham, Ontario, L3R 1B6
Tel: 1-800-678-1118
www.enerfrees.com

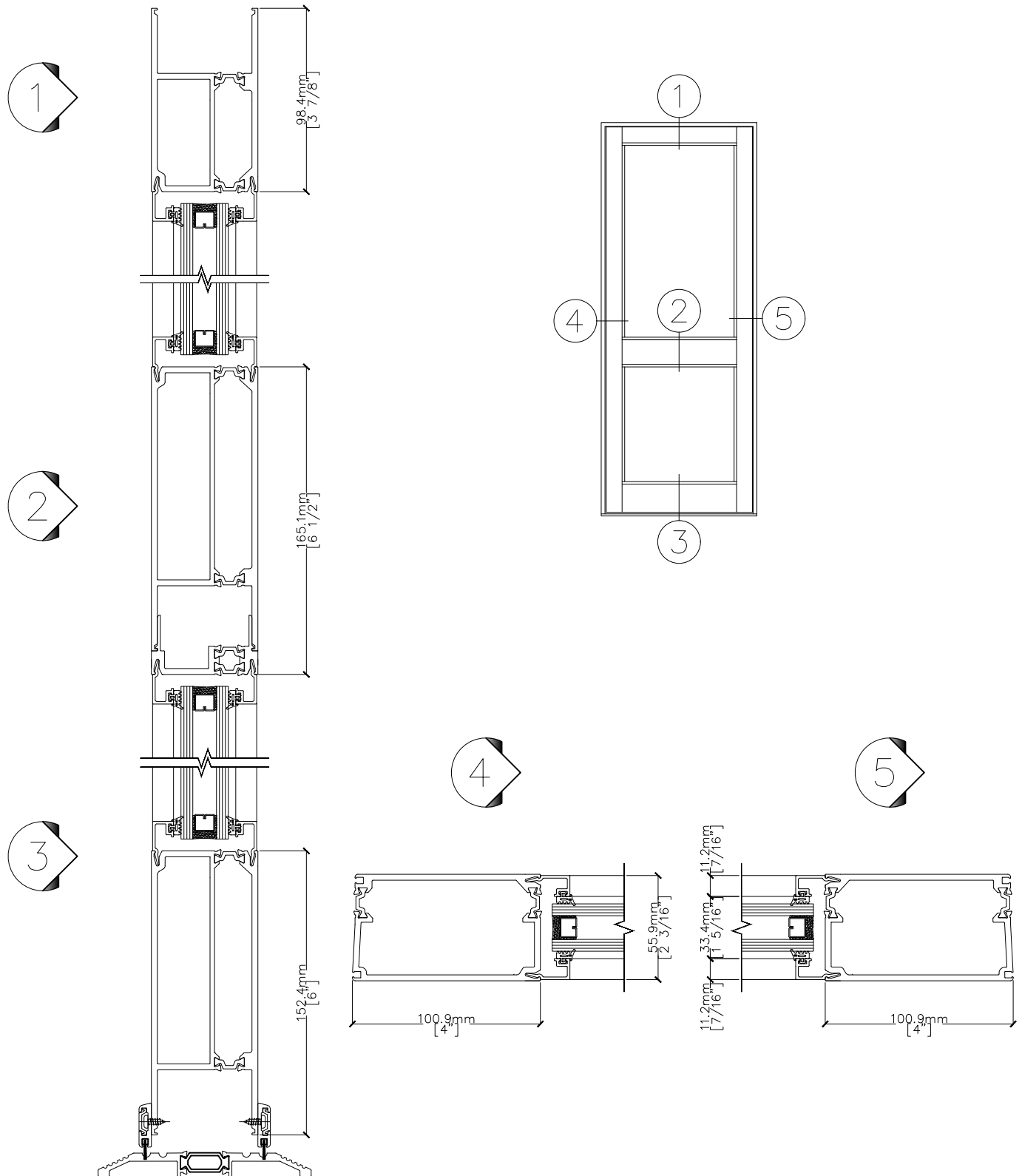
905-604-5118
info@enerfrees.com

V2022.10

3570 THERMAL DOOR

3570.225.20.4

B466



ENERFREES™
Window & Wall Systems

Manufacturer of High-performance Aluminum Systems
Address: 6 Denison St., Markham, Ontario, L3R 1B6
Tel: 1-800-678-1118
www.enerfrees.com

905-604-5118
info@enerfrees.com

V2022.10

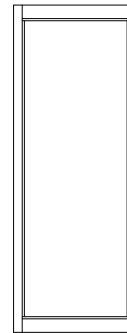
3570 THERMAL DOOR

3570.5.1
U-FACTOR TABLE - A404

1. The overall product U-factors are determined in according with NFRC 100-2010.
2. The Center-of-Glazing U-factors are determined by the insulated glass unit (IGU) and should be obtained from the glass supplier.
3. The simulated specimen size is based on NFRC 100-2010 Table 4-3 Product Type Side-Hinged Exterior Door, which is 960mm (37 3/4") width by 2090mm (82 3/8") height for single door. Pair door has the same U-factor as single door.

3570 THERMAL DOOR A404

Type: 3570 Thermal Door A404
 Stile: 63.5mm(2 1/2")
 Top Rail: 98.4mm(3 7/8")
 Center Rail: None
 Bottom Rail: 98.4mm(3 7/8")
 Glazing: 6mm glass/13mm spacer/6mm glass
 (1/4" glass/ 1/2 " spacer / 1/4" glass)



METRIT UNIT

Center-of-Glazing U-factor (W/m2-K)	Non-metal Spacer	Aluminum Spacer
	Product U-factor (W/m2-K)	Product U-factor (W/m2-K)
1.00	1.92	2.05
1.10	1.99	2.12
1.20	2.06	2.19
1.30	2.13	2.26
1.40	2.20	2.33
1.50	2.27	2.40
1.60	2.34	2.53
1.70	2.41	2.53
1.80	2.48	2.60
1.90	2.56	2.67
2.00	2.63	2.74
2.10	2.70	2.81
2.20	2.77	2.88
2.30	2.84	2.95
2.40	2.91	3.02
2.50	2.98	3.09

IMPERIAL UNIT

Center-of-Glazing U-factor (Btu/h-ft2-F)	Non-metal Spacer	Aluminum Spacer
	Product U-factor (Btu/h-ft2-F)	Product U-factor (Btu/h-ft2-F)
0.18	0.34	0.36
0.20	0.35	0.38
0.22	0.37	0.39
0.24	0.38	0.41
0.26	0.40	0.42
0.28	0.41	0.43
0.30	0.43	0.45
0.32	0.44	0.46
0.34	0.45	0.47
0.36	0.47	0.49
0.38	0.48	0.50
0.40	0.50	0.52
0.42	0.51	0.53
0.44	0.52	0.54

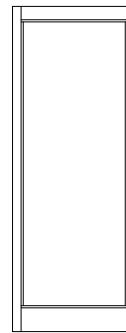
3570 THERMAL DOOR

3570.5.2
U-FACTOR TABLE - A406

1. The overall product U-factors are determined in according with NFRC 100-2010.
2. The Center-of-Glazing U-factors are determined by the insulated glass unit (IGU) and should be obtained from the glass supplier.
3. The simulated specimen size is based on NFRC 100-2010 Table 4-3 Product Type Side-Hinged Exterior Door, which is 960mm (37 3/4") width by 2090mm (82 3/8") height for single door. Pair door has the same U-factor as single door.

3570 THERMAL DOOR A406

Type: 3570 Thermal Door A406
 Stile: 63.5mm(2 1/2")
 Top Rail: 98.4mm(3 7/8")
 Center Rail: None
 Bottom Rail: 152.4mm(6")
 Glazing: 6mm glass/13mm spacer/6mm glass
 (1/4" glass/ 1/2 " spacer / 1/4" glass)



METRIT UNIT

Center-of-Glazing U-factor (W/m2-K)	Non-metal Spacer	Aluminum Spacer
	Product U-factor (W/m2-K)	Product U-factor (W/m2-K)
1.00	1.93	2.08
1.10	2.01	2.14
1.20	2.10	2.21
1.30	2.18	2.28
1.40	2.25	2.34
1.50	2.32	2.41
1.60	2.39	2.54
1.70	2.46	2.54
1.80	2.53	2.61
1.90	2.60	2.68
2.00	2.67	2.74
2.10	2.73	2.81
2.20	2.80	2.88
2.30	2.87	2.95
2.40	2.94	3.01
2.50	3.01	3.08

IMPERIAL UNIT

Center-of-Glazing U-factor (Btu/h-ft2-F)	Non-metal Spacer	Aluminum Spacer
	Product U-factor (Btu/h-ft2-F)	Product U-factor (Btu/h-ft2-F)
0.18	0.34	0.37
0.20	0.36	0.38
0.22	0.38	0.39
0.24	0.39	0.41
0.26	0.41	0.42
0.28	0.42	0.43
0.30	0.43	0.45
0.32	0.45	0.46
0.34	0.46	0.48
0.36	0.47	0.49
0.38	0.49	0.50
0.40	0.50	0.52
0.42	0.52	0.53
0.44	0.53	0.54

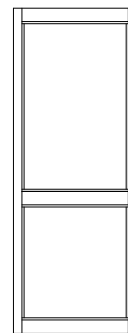
3570 THERMAL DOOR

3570.5.3
U-FACTOR TABLE - A444

1. The overall product U-factors are determined in according with NFRC 100-2010.
2. The Center-of-Glazing U-factors are determined by the insulated glass unit (IGU) and should be obtained from the glass supplier.
3. The simulated specimen size is based on NFRC 100-2010 Table 4-3 Product Type Side-Hinged Exterior Door, which is 960mm (37 3/4") width by 2090mm (82 3/8") height for single door. Pair door has the same U-factor as single door.

3570 THERMAL DOOR A444

Type: 3570 Thermal Door A444
 Stile: 63.5mm(2 1/2")
 Top Rail: 98.4mm(3 7/8")
 Center Rail: 111.1mm(4 3/8")
 Bottom Rail: 98.4mm(3 7/8")
 Glazing: 6mm glass/13mm spacer/6mm glass
 (1/4" glass/ 1/2 " spacer / 1/4" glass)



METRIT UNIT

Center-of-Glazing U-factor (W/m2-K)	Non-metal Spacer	Aluminum Spacer
	Product U-factor (W/m2-K)	Product U-factor (W/m2-K)
1.00	2.11	2.27
1.10	2.17	2.33
1.20	2.23	2.40
1.30	2.30	2.46
1.40	2.36	2.52
1.50	2.43	2.58
1.60	2.49	2.70
1.70	2.55	2.70
1.80	2.62	2.77
1.90	2.68	2.83
2.00	2.75	2.89
2.10	2.81	2.95
2.20	2.88	3.01
2.30	2.94	3.08
2.40	3.01	3.14
2.50	3.07	3.20

IMPERIAL UNIT

Center-of-Glazing U-factor (Btu/h-ft2-F)	Non-metal Spacer	Aluminum Spacer
	Product U-factor (Btu/h-ft2-F)	Product U-factor (Btu/h-ft2-F)
0.18	0.37	0.40
0.20	0.39	0.42
0.22	0.40	0.43
0.24	0.41	0.44
0.26	0.42	0.45
0.28	0.44	0.46
0.30	0.45	0.48
0.32	0.46	0.49
0.34	0.48	0.50
0.36	0.49	0.51
0.38	0.50	0.53
0.40	0.51	0.54
0.42	0.53	0.55
0.44	0.54	0.56

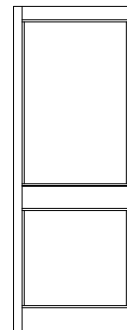
3570 THERMAL DOOR

3570.5.4
U-FACTOR TABLE - A446

1. The overall product U-factors are determined in according with NFRC 100-2010.
2. The Center-of-Glazing U-factors are determined by the insulated glass unit (IGU) and should be obtained from the glass supplier.
3. The simulated specimen size is based on NFRC 100-2010 Table 4-3 Product Type Side-Hinged Exterior Door, which is 960mm (37 3/4") width by 2090mm (82 3/8") height for single door. Pair door has the same U-factor as single door.

3570 THERMAL DOOR A466

Type: 3570 Thermal Door A466
 Stile: 63.5mm(2 1/2")
 Top Rail: 98.4mm(3 7/8")
 Center Rail: 165.1mm (6 1/2")
 Bottom Rail: 152.4mm(6")
 Glazing: 6mm glass/13mm spacer/6mm glass
 (1/4" glass/ 1/2 " spacer / 1/4" glass)



METRIT UNIT

Center-of-Glazing U-factor (W/m2-K)	Non-metal Spacer	Aluminum Spacer
	Product U-factor (W/m2-K)	Product U-factor (W/m2-K)
1.00	2.17	2.34
1.10	2.23	2.39
1.20	2.29	2.45
1.30	2.35	2.51
1.40	2.41	2.57
1.50	2.47	2.62
1.60	2.53	2.74
1.70	2.59	2.74
1.80	2.65	2.80
1.90	2.71	2.85
2.00	2.77	2.91
2.10	2.83	2.97
2.20	2.89	3.03
2.30	2.95	3.09
2.40	3.01	3.14
2.50	3.07	3.20

IMPERIAL UNIT

Center-of-Glazing U-factor (Btu/h-ft2-F)	Non-metal Spacer	Aluminum Spacer
	Product U-factor (Btu/h-ft2-F)	Product U-factor (Btu/h-ft2-F)
0.18	0.38	0.41
0.20	0.40	0.43
0.22	0.41	0.44
0.24	0.42	0.45
0.26	0.43	0.46
0.28	0.44	0.47
0.30	0.46	0.48
0.32	0.47	0.49
0.34	0.48	0.51
0.36	0.49	0.52
0.38	0.50	0.53
0.40	0.52	0.54
0.42	0.53	0.55
0.44	0.54	0.56

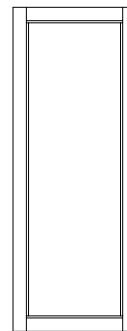
3570 THERMAL DOOR

3570.5.5
U-FACTOR TABLE - B404

1. The overall product U-factors are determined in according with NFRC 100-2010.
2. The Center-of-Glazing U-factors are determined by the insulated glass unit (IGU) and should be obtained from the glass supplier.
3. The simulated specimen size is based on NFRC 100-2010 Table 4-3 Product Type Side-Hinged Exterior Door, which is 960mm (37 3/4") width by 2090mm (82 3/8") height for single door. Pair door has the same U-factor as single door.

3570 THERMAL DOOR B404

Type: 3570 Thermal Door B404
 Stile: 101.6mm (4")
 Top Rail: 98.4mm(3 7/8")
 Center Rail: None
 Bottom Rail: 98.4mm(3 7/8")
 Glazing: 6mm glass/13mm spacer/6mm glass
 (1/4" glass/ 1/2 " spacer / 1/4" glass)



METRIT UNIT

Center-of-Glazing U-factor (W/m2-K)	Non-metal Spacer	Aluminum Spacer
	Product U-factor (W/m2-K)	Product U-factor (W/m2-K)
1.00	2.13	2.25
1.10	2.18	2.31
1.20	2.24	2.36
1.30	2.29	2.42
1.40	2.35	2.47
1.50	2.41	2.53
1.60	2.47	2.64
1.70	2.52	2.64
1.80	2.58	2.69
1.90	2.64	2.75
2.00	2.69	2.80
2.10	2.75	2.86
2.20	2.81	2.91
2.30	2.86	2.97
2.40	2.92	3.02
2.50	2.98	3.08

IMPERIAL UNIT

Center-of-Glazing U-factor (Btu/h-ft2-F)	Non-metal Spacer	Aluminum Spacer
	Product U-factor (Btu/h-ft2-F)	Product U-factor (Btu/h-ft2-F)
0.18	0.38	0.40
0.20	0.39	0.41
0.22	0.40	0.42
0.24	0.41	0.43
0.26	0.42	0.44
0.28	0.43	0.45
0.30	0.44	0.46
0.32	0.46	0.48
0.34	0.47	0.49
0.36	0.48	0.50
0.38	0.49	0.51
0.40	0.50	0.52
0.42	0.51	0.53
0.44	0.52	0.54

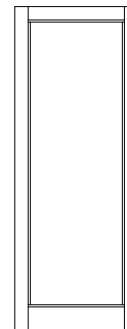
3570 THERMAL DOOR

3570.5.6
U-FACTOR TABLE - B406

1. The overall product U-factors are determined in according with NFRC 100-2010.
2. The Center-of-Glazing U-factors are determined by the insulated glass unit (IGU) and should be obtained from the glass supplier.
3. The simulated specimen size is based on NFRC 100-2010 Table 4-3 Product Type Side-Hinged Exterior Door, which is 960mm (37 3/4") width by 2090mm (82 3/8") height for single door. Pair door has the same U-factor as single door.

3570 THERMAL DOOR B406

Type: 3570 Thermal Door B406
 Stile: 101.6mm(4")
 Top Rail: 98.4mm(3 7/8")
 Center Rail: None
 Bottom Rail: 152.4mm(6")
 Glazing: 6mm glass/13mm spacer/6mm glass
 (1/4" glass/ 1/2 " spacer / 1/4" glass)



METRIT UNIT

Center-of-Glazing U-factor (W/m2-K)	Non-metal Spacer	Aluminum Spacer
	Product U-factor (W/m2-K)	Product U-factor (W/m2-K)
1.00	2.28	2.27
1.10	2.34	2.33
1.20	2.41	2.38
1.30	2.48	2.43
1.40	2.55	2.48
1.50	2.62	2.54
1.60	2.69	2.64
1.70	2.75	2.64
1.80	2.82	2.70
1.90	2.89	2.75
2.00	2.96	2.80
2.10	3.03	2.86
2.20	3.09	2.91
2.30	3.16	2.96
2.40	3.23	3.02
2.50	3.30	3.07

IMPERIAL UNIT

Center-of-Glazing U-factor (Btu/h-ft2-F)	Non-metal Spacer	Aluminum Spacer
	Product U-factor (Btu/h-ft2-F)	Product U-factor (Btu/h-ft2-F)
0.18	0.40	0.40
0.20	0.42	0.41
0.22	0.43	0.42
0.24	0.44	0.43
0.26	0.46	0.44
0.28	0.47	0.46
0.30	0.49	0.47
0.32	0.50	0.48
0.34	0.51	0.49
0.36	0.53	0.50
0.38	0.54	0.51
0.40	0.55	0.52
0.42	0.57	0.53
0.44	0.58	0.54

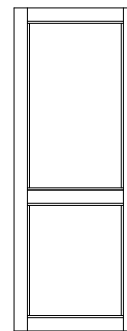
3570 THERMAL DOOR

3570.5.7
U-FACTOR TABLE - B444

1. The overall product U-factors are determined in according with NFRC 100-2010.
2. The Center-of-Glazing U-factors are determined by the insulated glass unit (IGU) and should be obtained from the glass supplier.
3. The simulated specimen size is based on NFRC 100-2010 Table 4-3 Product Type Side-Hinged Exterior Door, which is 960mm (37 3/4") width by 2090mm (82 3/8") height for single door. Pair door has the same U-factor as single door.

3570 THERMAL DOOR B444

Type: 3570 Thermal Door B444
 Stile: 101.6mm(4")
 Top Rail: 98.4mm(3 7/8")
 Center Rail: 111.1mm(4 3/8")
 Bottom Rail: 98.4mm(3 7/8")
 Glazing: 6mm glass/13mm spacer/6mm glass
 (1/4" glass/ 1/2 " spacer / 1/4" glass)



METRIT UNIT

Center-of-Glazing U-factor (W/m2-K)	Non-metal Spacer	Aluminum Spacer
	Product U-factor (W/m2-K)	Product U-factor (W/m2-K)
1.00	2.28	2.43
1.10	2.33	2.48
1.20	2.37	2.53
1.30	2.43	2.58
1.40	2.48	2.63
1.50	2.53	2.67
1.60	2.58	2.77
1.70	2.64	2.77
1.80	2.69	2.82
1.90	2.74	2.87
2.00	2.79	2.92
2.10	2.84	2.97
2.20	2.89	3.02
2.30	2.94	3.07
2.40	3.00	3.12
2.50	3.05	3.17

IMPERIAL UNIT

Center-of-Glazing U-factor (Btu/h-ft2-F)	Non-metal Spacer	Aluminum Spacer
	Product U-factor (Btu/h-ft2-F)	Product U-factor (Btu/h-ft2-F)
0.18	0.40	0.43
0.20	0.41	0.44
0.22	0.42	0.45
0.24	0.43	0.46
0.26	0.44	0.47
0.28	0.45	0.48
0.30	0.46	0.49
0.32	0.47	0.50
0.34	0.48	0.51
0.36	0.50	0.52
0.38	0.51	0.53
0.40	0.52	0.54
0.42	0.53	0.55
0.44	0.54	0.56

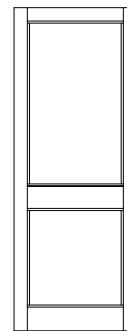
3570 THERMAL DOOR

3570.5.8
U-FACTOR TABLE - B446

1. The overall product U-factors are determined in according with NFRC 100-2010.
2. The Center-of-Glazing U-factors are determined by the insulated glass unit (IGU) and should be obtained from the glass supplier.
3. The simulated specimen size is based on NFRC 100-2010 Table 4-3 Product Type Side-Hinged Exterior Door, which is 960mm (37 3/4") width by 2090mm (82 3/8") height for single door. Pair door has the same U-factor as single door.

3570 THERMAL DOOR B466

Type: 3570 Thermal Door B466
 Stile: 101.6mm (4")
 Top Rail: 98.4mm (3 7/8")
 Center Rail: 165.1mm (6 1/2")
 Bottom Rail: 152.4mm (6")
 Glazing: 6mm glass/13mm spacer/6mm glass
 (1/4" glass/ 1/2 " spacer / 1/4" glass)



METRIT UNIT

Center-of-Glazing U-factor (W/m ² -K)	Non-metal Spacer	Aluminum Spacer
	Product U-factor (W/m ² -K)	Product U-factor (W/m ² -K)
1.00	2.33	2.79
1.10	2.37	2.84
1.20	2.42	2.88
1.30	2.47	2.93
1.40	2.52	2.98
1.50	2.57	3.02
1.60	2.61	3.11
1.70	2.66	3.11
1.80	2.71	3.16
1.90	2.76	3.21
2.00	2.81	3.25
2.10	2.86	3.30
2.20	2.90	3.35
2.30	2.95	3.39
2.40	3.00	3.44
2.50	3.05	3.49

IMPERIAL UNIT

Center-of-Glazing U-factor (Btu/h-ft ² -F)	Non-metal Spacer	Aluminum Spacer
	Product U-factor (Btu/h-ft ² -F)	Product U-factor (Btu/h-ft ² -F)
0.18	0.41	0.49
0.20	0.42	0.50
0.22	0.43	0.51
0.24	0.44	0.52
0.26	0.45	0.53
0.28	0.46	0.54
0.30	0.47	0.55
0.32	0.48	0.56
0.34	0.49	0.57
0.36	0.50	0.58
0.38	0.51	0.59
0.40	0.52	0.60
0.42	0.53	0.60
0.44	0.54	0.61