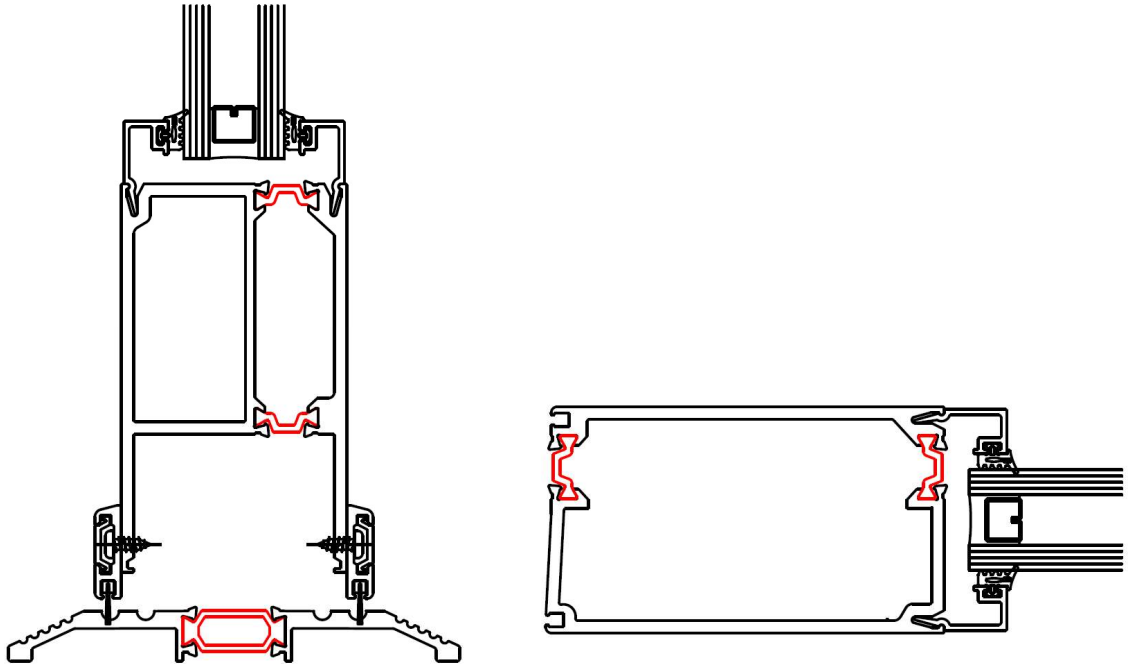


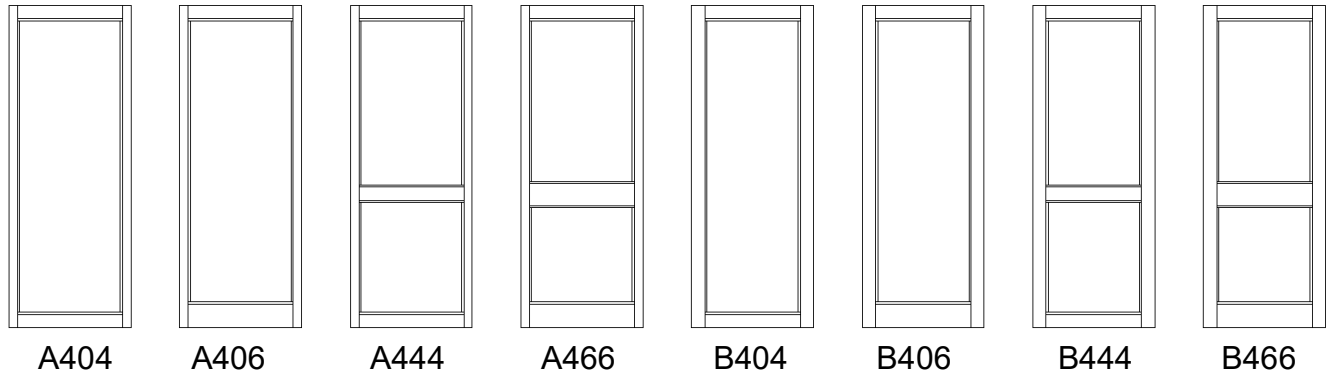
3570 THERMAL ENTRANCE DOOR



PRODUCT FEATURES

- Door frame depth: 57.2mm (2 1/4")
- Door frame thickness: 3.2mm (1/8")
- Thermal broken performance
- Welded and shear block corner joint
- EPDM seal gaskets on exterior and interior
- Setting for double glazing
- Multiple sight line and middle rail options
- Compatible with curtain wall and storefront systems
- Can be used in commercial and industrial

3570 THERMAL ENTRANCE DOOR



TYPE	STILE	TOP RAIL	CENTRE RAIL	BOTTOM RAIL
A404	63.5mm (2 1/2")	98.4mm (3 7/8")	NONE	98.4mm (3 7/8")
A406	63.5mm (2 1/2")	98.4mm (3 7/8")	NONE	152.4mm (6")
A444	63.5mm (2 1/2")	98.4mm (3 7/8")	111.1mm (4 3/8")	98.4mm (3 7/8")
A466	63.5mm (2 1/2")	98.4mm (3 7/8")	165.1mm (6 1/2")	152.4mm (6")
B404	101.6mm (4")	98.4mm (3 7/8")	NONE	98.4mm (3 7/8")
B406	101.6mm (4")	98.4mm (3 7/8")	NONE	152.4mm (6")
B444	101.6mm (4")	98.4mm (3 7/8")	111.1mm (4 3/8")	98.4mm (3 7/8")
B466	101.6mm (4")	98.4mm (3 7/8")	165.1mm (6 1/2")	152.4mm (6")

Other options are available.

STANDARD DOOR PACKAGE

- Standard hardware: continuous hinge, dead lock, exterior cylinder and interior thumb turn, threshold
- Standard pair door is supplied with flush bolts in the inactive door
- Designed with shear block hardware and welded joint
- Push/pull handle is not included but can supply when specified
- Standard center rail installation is 1066.8mm (42 inches) from floor line to center line of the mid-rail