

# CURTAIN WALL 5250

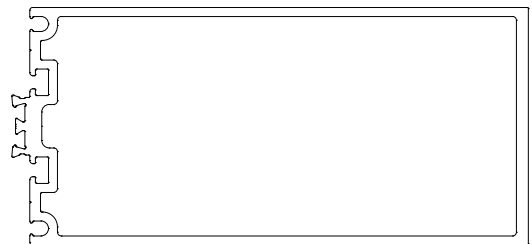
Enerfrees Thermal Series 5250 – 63.5 mm (2 1/2”) systems can be applied to medium and low rise building setting including Structural Silicone Glazing or SSG.

- Stock lengths are standard 7315.2mm (24’) and custom stock lengths are available for supply
- Glazing is external
- 5250 series can accept single glass spandrel, double glass with overall thickness of 25.4mm (1”), and triple glass with an overall thickness of 44.45mm (1 3/4”)
- Designed with shear block hardware
- Standard shear block integration to plates for anchoring

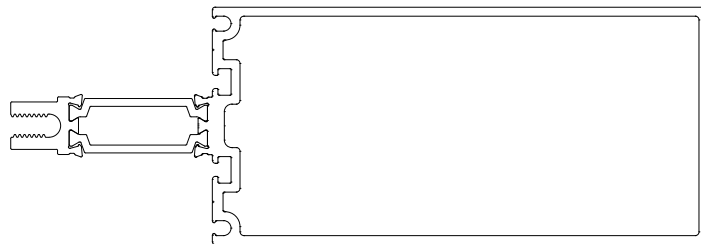
Capped Option (Double Glazed)



Structural Silicone Glazing



Capped Option (Triple Glazed)



**ENERFREES™**  
Window & Wall Systems

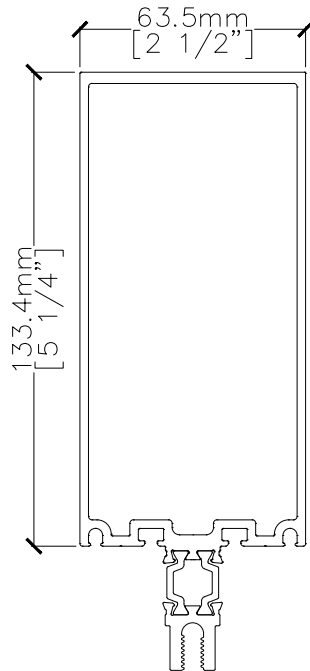
Manufacturer of High-performance Aluminum Systems  
Address: 6 Denison St., Markham, Ontario, L3R 1B6  
Tel: 1-800-678-1118      905-604-5118  
www.enerfrees.com      info@enerfrees.com

V2022.10

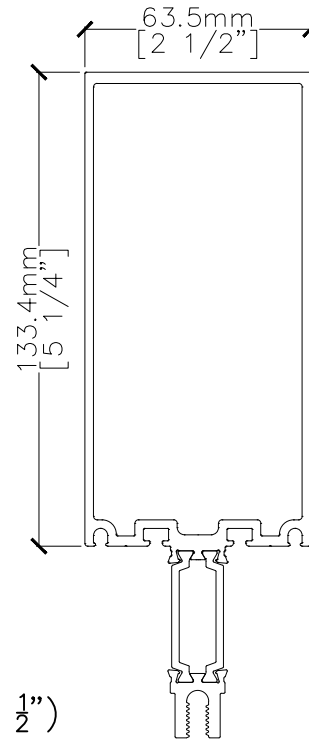
# 5250 CURTAIN WALL

5250.30.10  
MAIN COMPONENTS

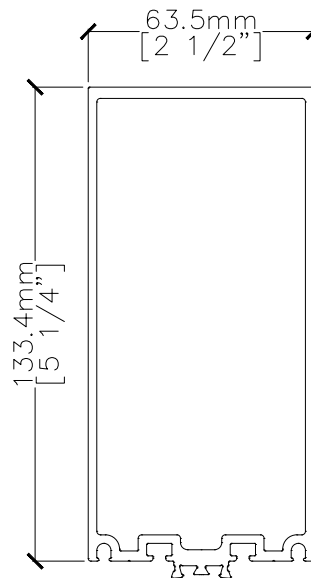
63.5MM (2 1/2") Thermally Broken, Rolled  
CAPPED DOUBLE GLAZING



63.5MM (2 1/2") Thermally Broken, Rolled  
CAPPED TRIPLE GLAZING

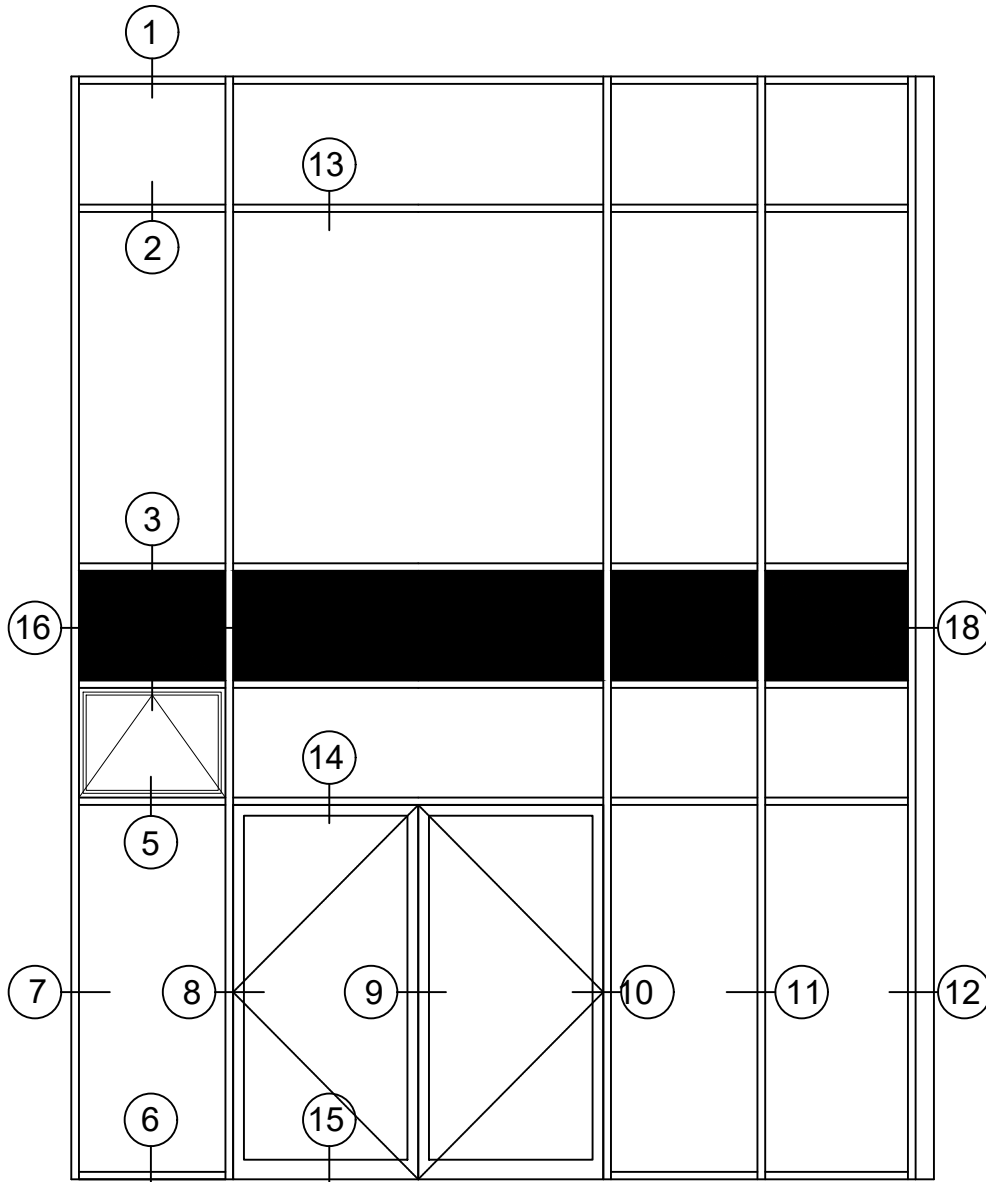


63.5MM (2 1/2")  
STRUCTURAL SILICONE GLAZING



# 5250 CURTAIN WALL (Double Glazed) SECTION 133.4mm (5 1/4")

5250.30.20.0



5250 Thermally Broken Curtain Wall (Double Glazed) is widely used framing profile series for residential, commercial, and industrial setting. It provides unlimited integration to standards or any custom size operable windows and/or doors.



**ENERFREES™**  
Window & Wall Systems

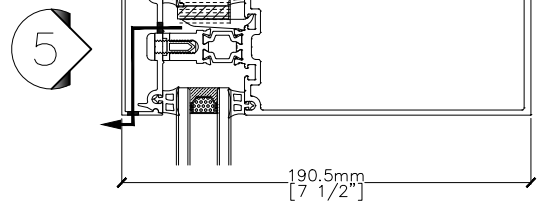
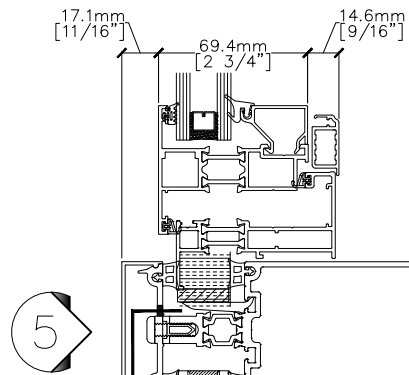
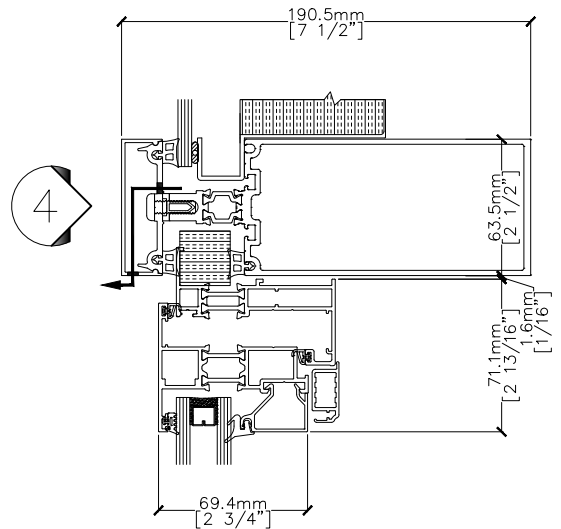
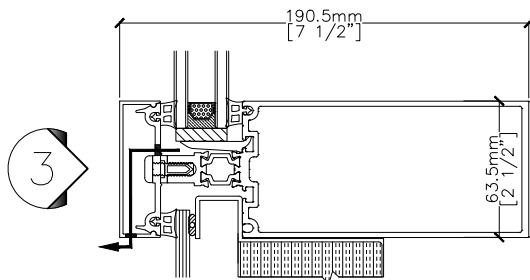
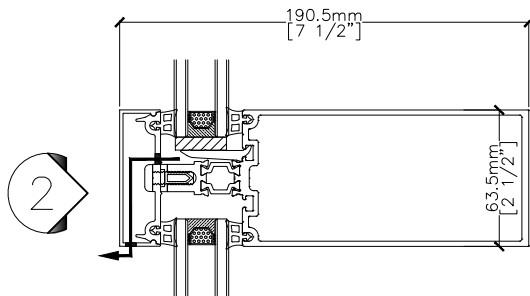
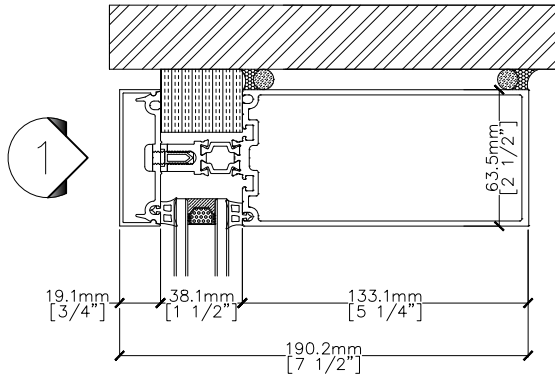
Manufacturer of High-performance Aluminum Systems  
Address: 6 Denison St., Markham, Ontario, L3R 1B6  
Tel: 1-800-678-1118  
www.enerfrees.com

905-604-5118  
info@enerfrees.com

V2022.10

# 5250 CURTAIN WALL (Double Glazed) SECTION 133.4mm (5 1/4")

5250.30.20.1



**ENERFREES™**  
Window & Wall Systems

Manufacturer of High-performance Aluminum Systems  
Address: 6 Denison St., Markham, Ontario, L3R 1B6  
Tel: 1-800-678-1118  
www.enerfrees.com

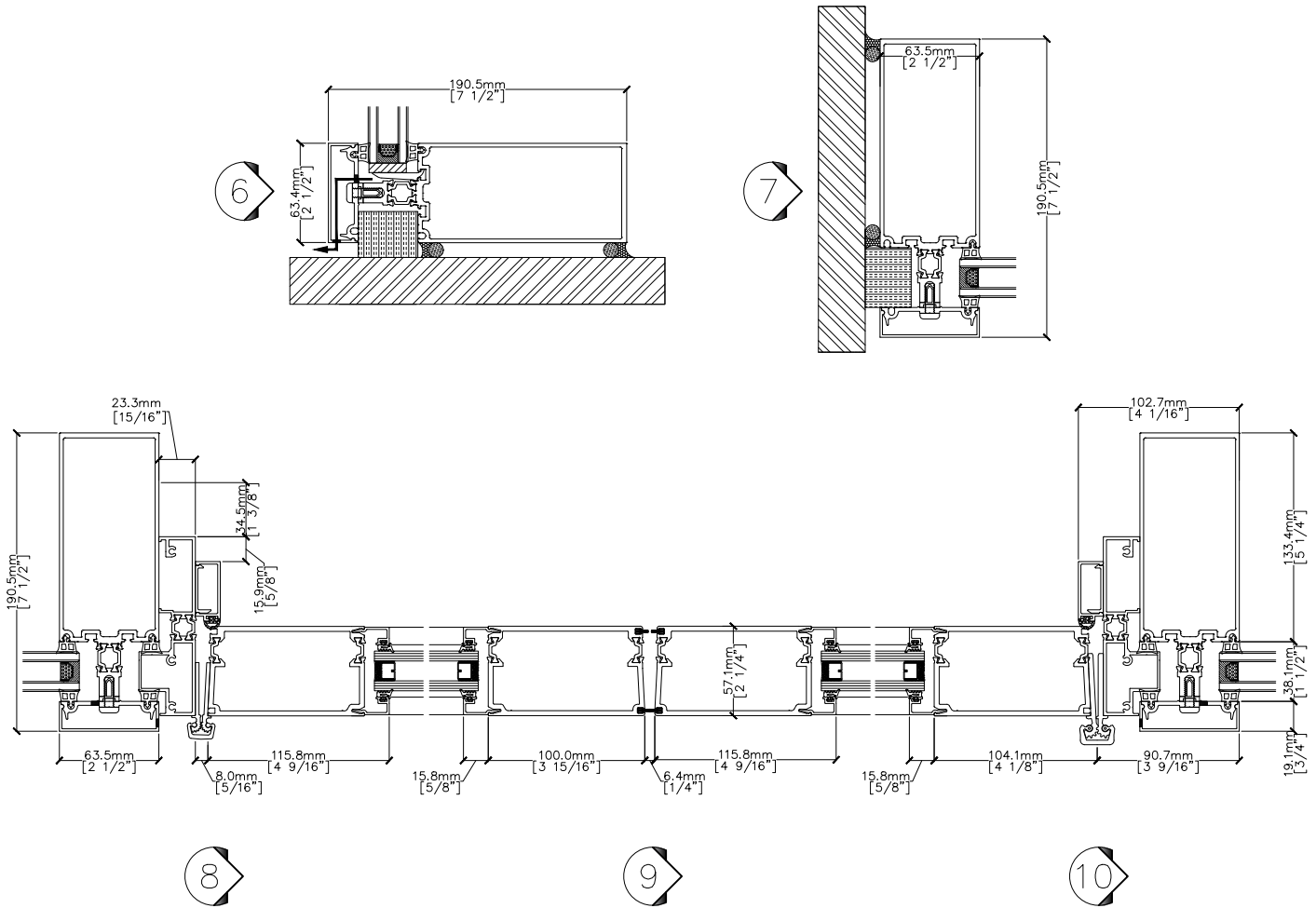
905-604-5118  
info@enerfrees.com

V2022.10

# 5250 CURTAIN WALL (Double Glazed) SECTION 133.4mm (5 1/4")

5250.30.20.2

SECTION 133.4mm (5 1/4")



**ENERFREES™**  
Window & Wall Systems

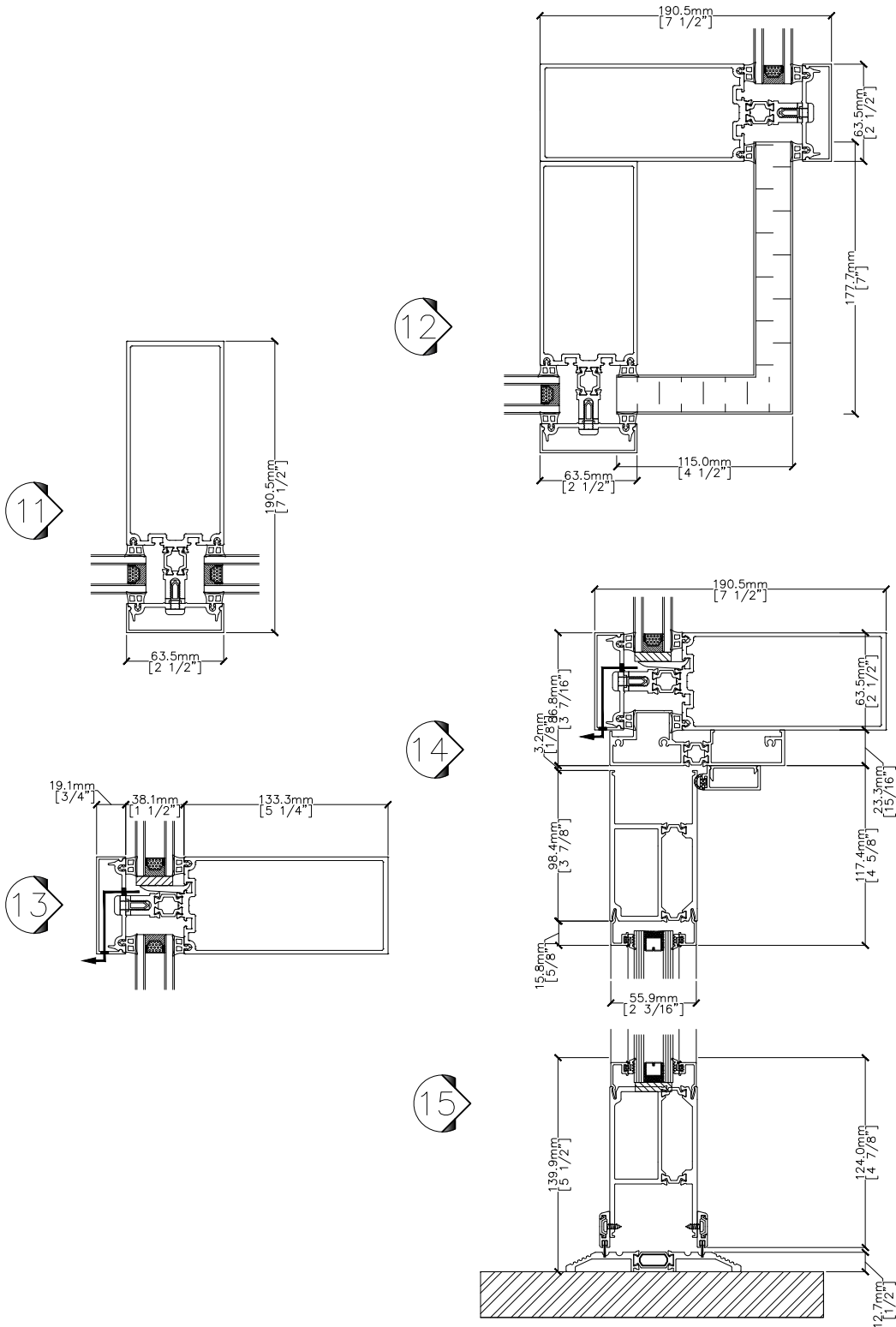
Manufacturer of High-performance Aluminum Systems  
Address: 6 Denison St., Markham, Ontario, L3R 1B6  
Tel: 1-800-678-1118  
www.enerfrees.com

905-604-5118  
info@enerfrees.com

V2022.10

# 5250 CURTAIN WALL (Double Glazed) SECTION 133.4mm (5 1/4")

5250.30.20.3



**ENERFREES™**  
Window & Wall Systems

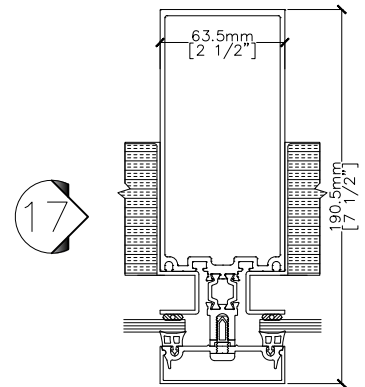
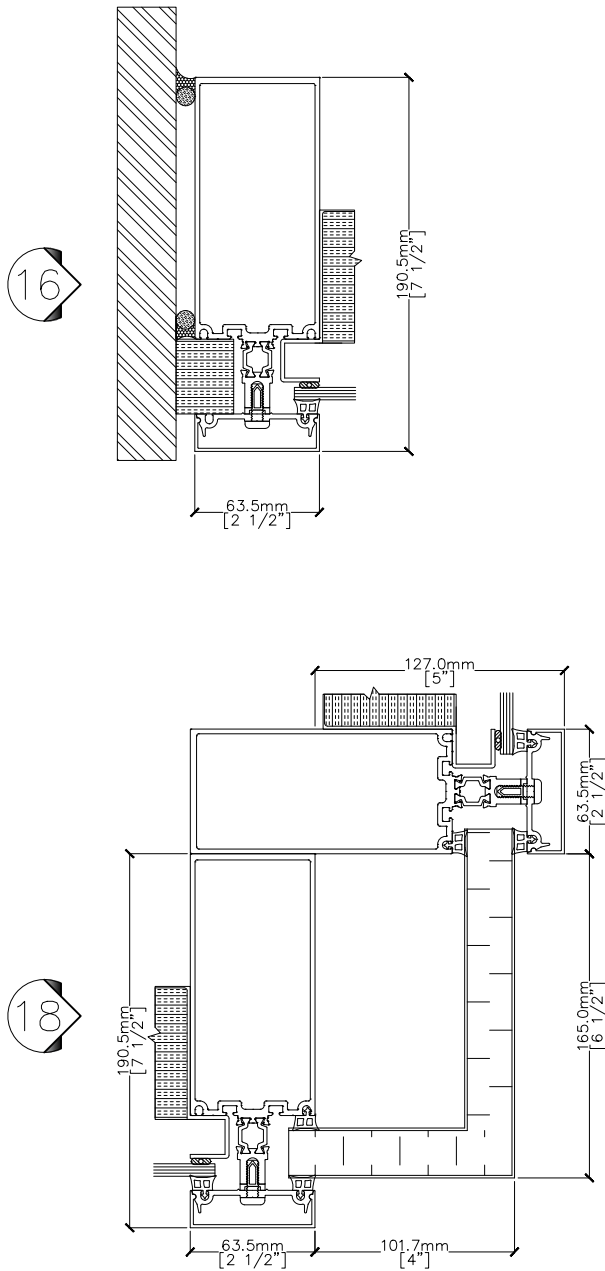
Manufacturer of High-performance Aluminum Systems  
Address: 6 Denison St., Markham, Ontario, L3R 1B6  
Tel: 1-800-678-1118  
www.enerfrees.com

905-604-5118  
info@enerfrees.com

V2022.10

# 5250 CURTAIN WALL (Double Glazed) SECTION 133.4mm (5 1/4")

5250.30.20.4



**ENERFREES™**  
Window & Wall Systems

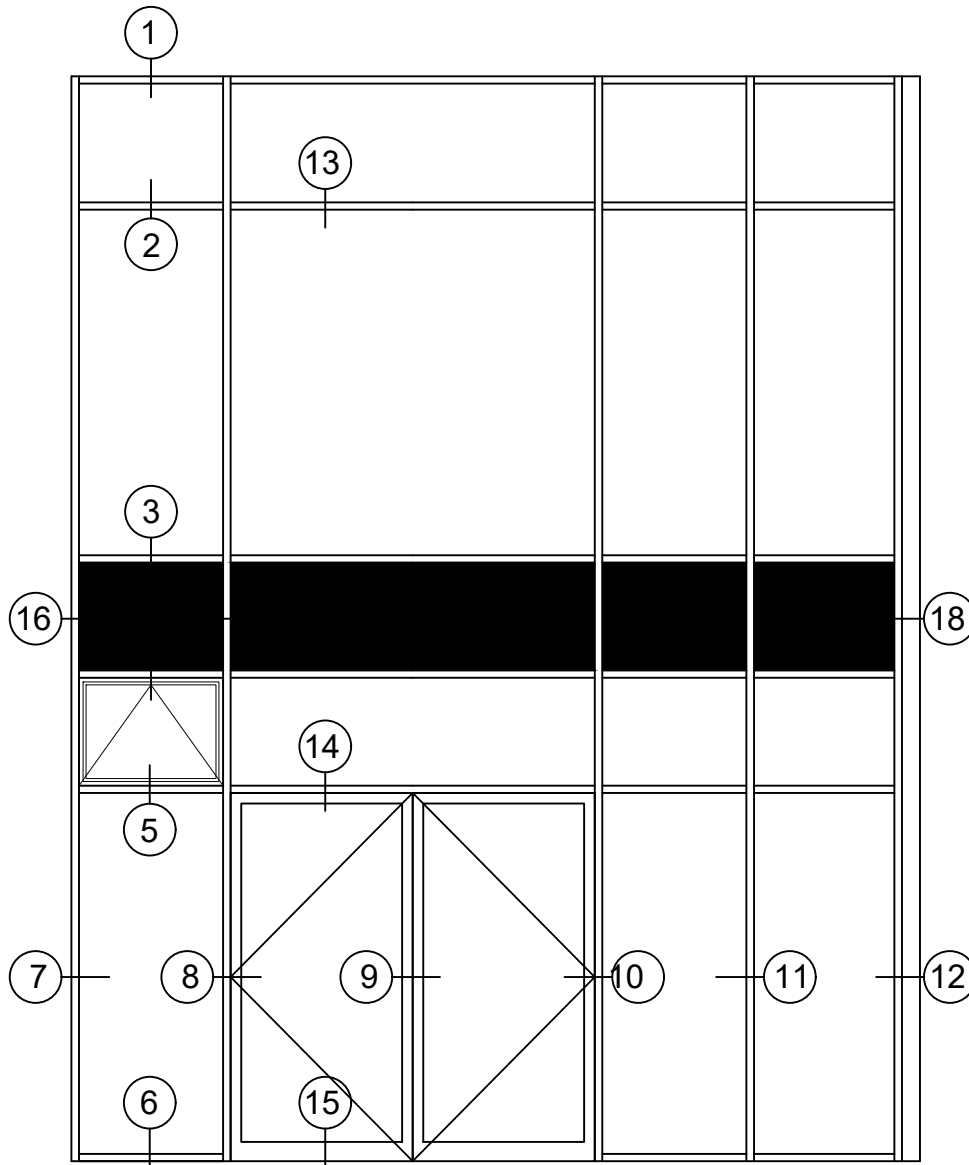
Manufacturer of High-performance Aluminum Systems  
Address: 6 Denison St., Markham, Ontario, L3R 1B6  
Tel: 1-800-678-1118  
www.enerfrees.com

905-604-5118  
info@enerfrees.com

V2022.10

# 5250 CURTAIN WALL (Triple Glazed)

5250.30.30.0  
SECTION 133.4mm (5 1/4")



5250 Thermally Broken Curtain Wall (Triple Glazed) is widely used framing profile series for residential, commercial, and industrial setting with added resistance to weather. It provides unlimited option to standard or any custom size operable windows and/or doors.



**ENERFREES™**  
Window & Wall Systems

Manufacturer of High-performance Aluminum Systems  
Address: 6 Denison St., Markham, Ontario, L3R 1B6  
Tel: 1-800-678-1118  
www.enerfrees.com

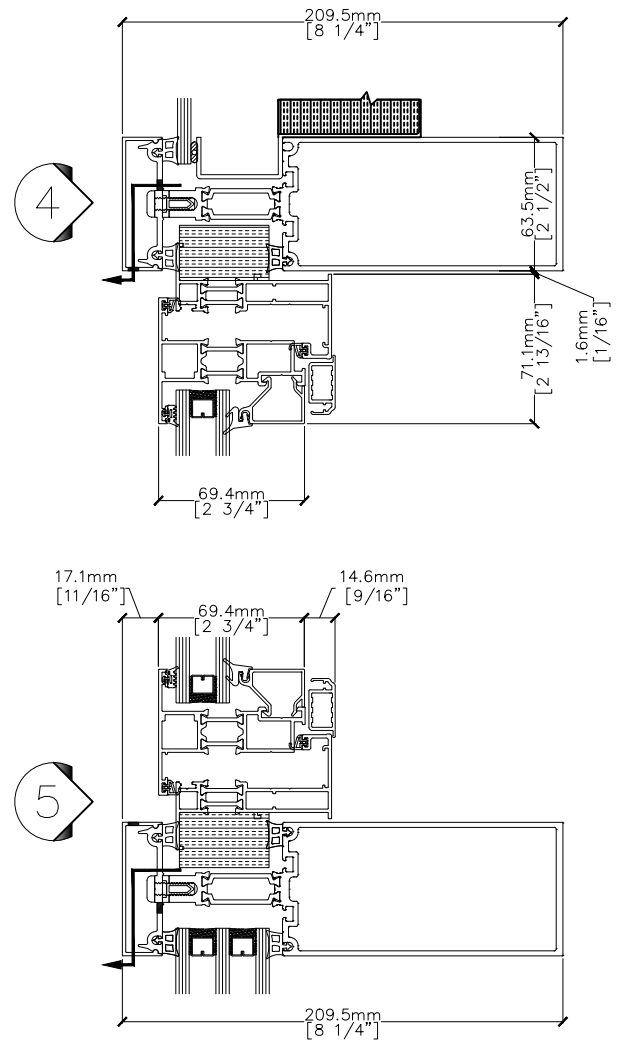
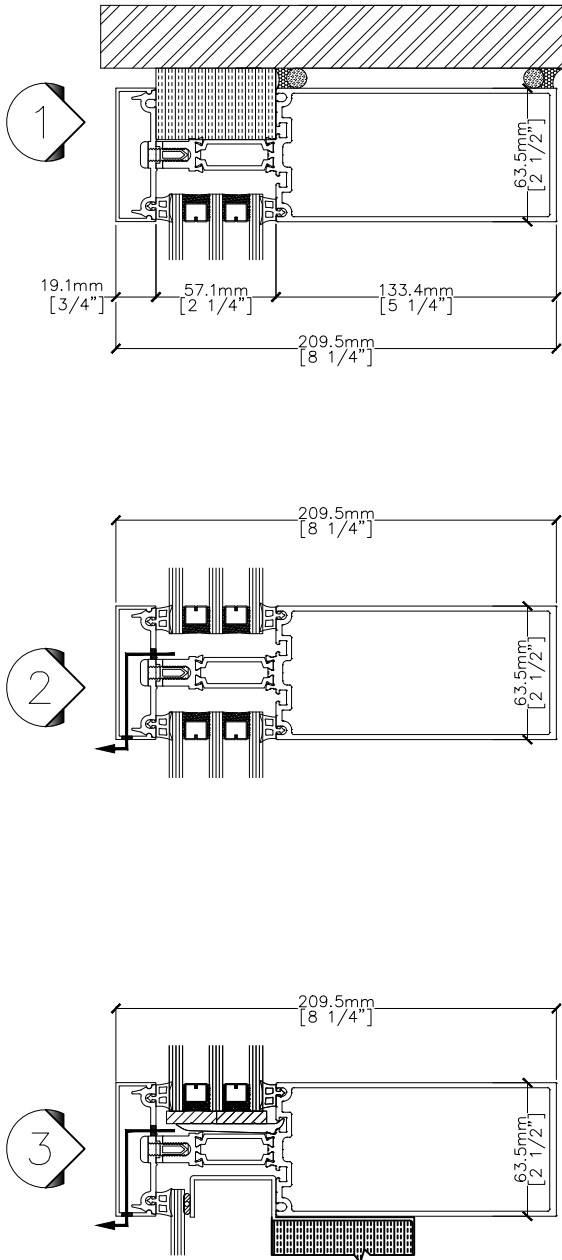
905-604-5118  
info@enerfrees.com

V2022.10



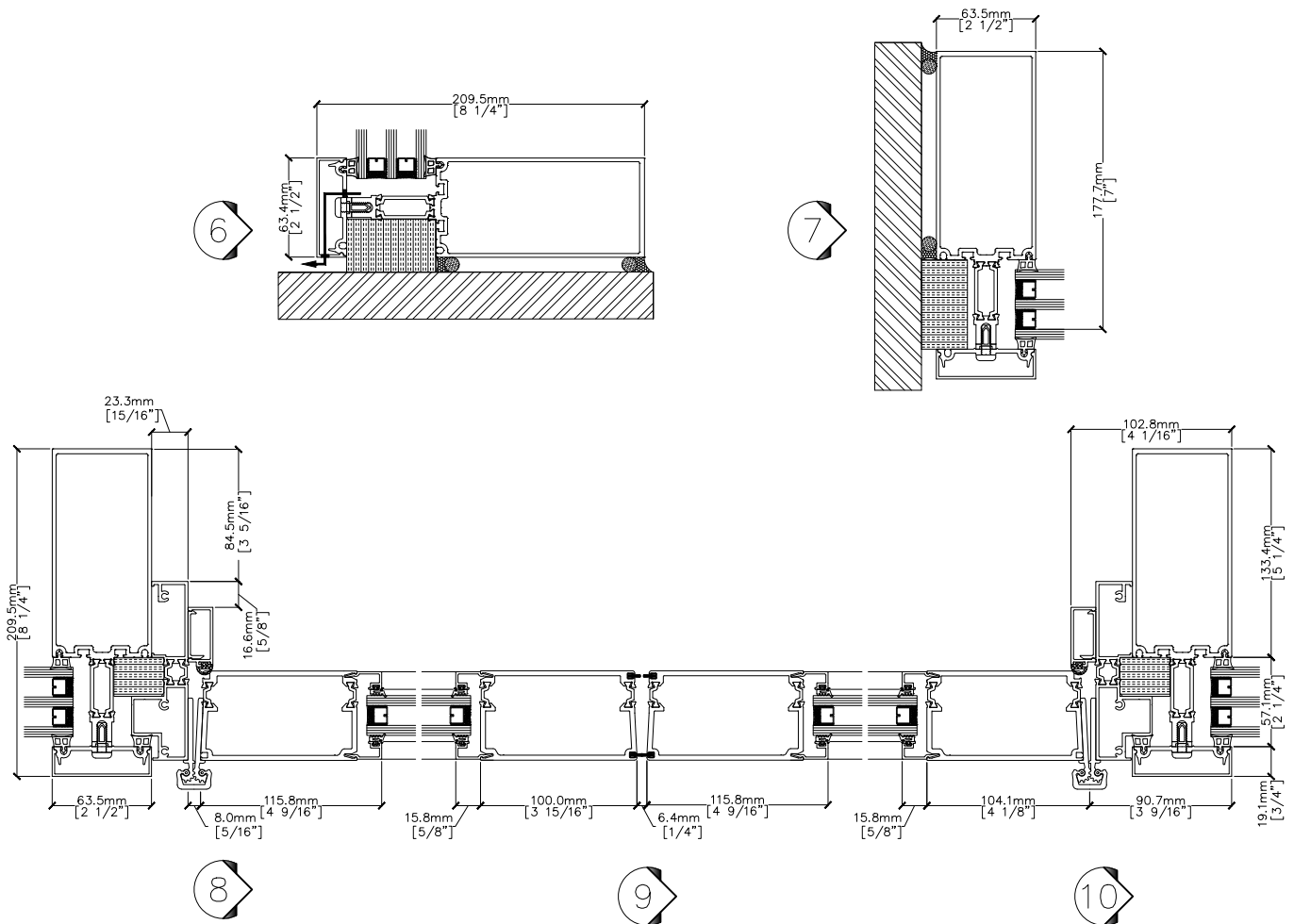
# 5250 CURTAIN WALL (Triple Glazed)

5250.30.30.1  
SECTION 133.4mm (5 1/4")



# 5250 CURTAIN WALL (Triple Glazed)

5250.30.30.2  
SECTION 133.4mm (5 1/4")



**ENERFREES™**  
Window & Wall Systems

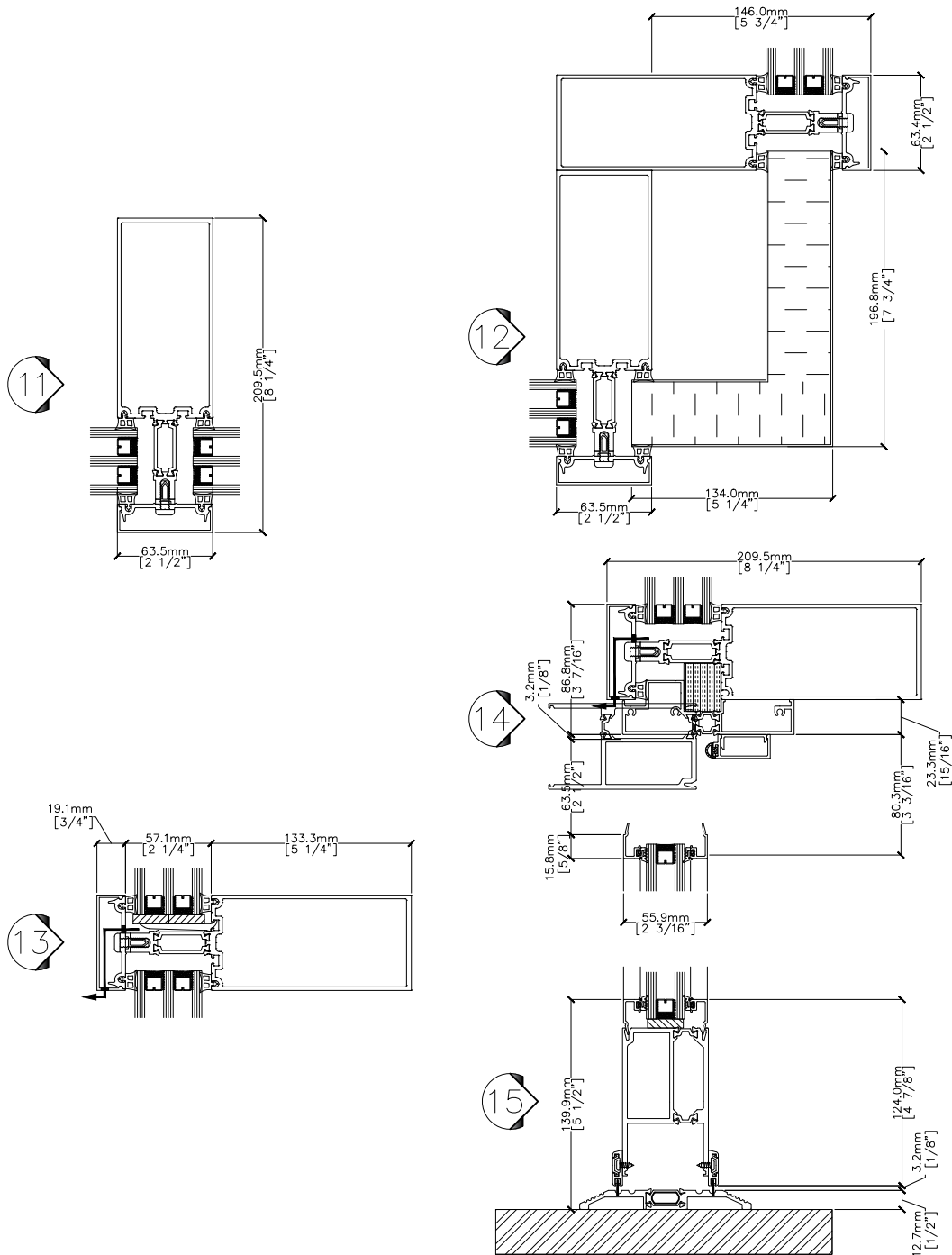
Manufacturer of High-performance Aluminum Systems  
Address: 6 Denison St., Markham, Ontario, L3R 1B6  
Tel: 1-800-678-1118  
www.enerfrees.com

905-604-5118  
info@enerfrees.com

V2022.10

# 5250 CURTAIN WALL (Triple Glazed)

5250.30.30.3  
SECTION 133.4mm (5 1/4")



**ENERFREES™**  
Window & Wall Systems

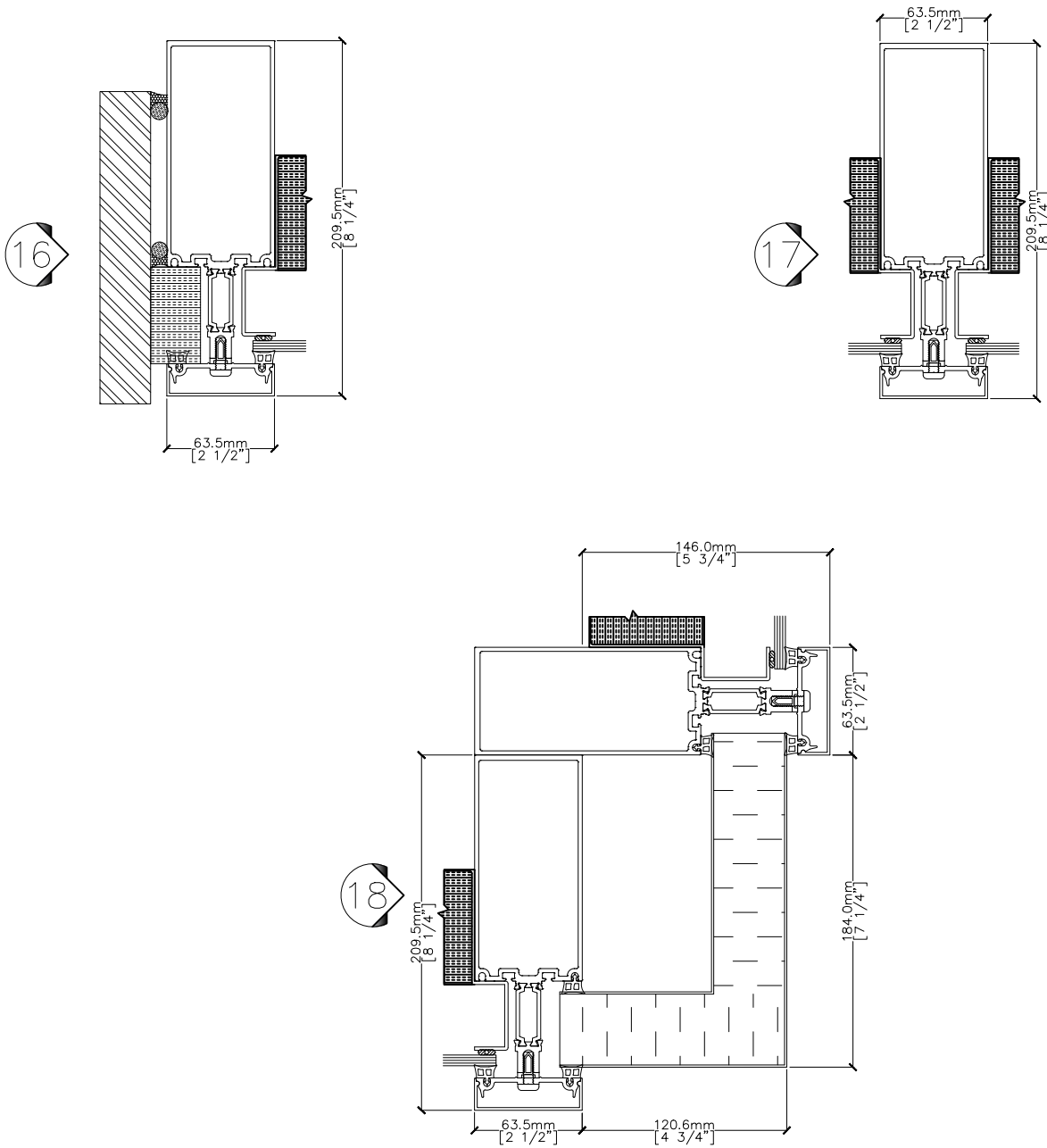
Manufacturer of High-performance Aluminum Systems  
Address: 6 Denison St., Markham, Ontario, L3R 1B6  
Tel: 1-800-678-1118  
www.enerfrees.com

905-604-5118  
info@enerfrees.com

V2022.10

# 5250 CURTAIN WALL (Triple Glazed)

5250.30.30.4  
SECTION 133.4mm (5 1/4")



**ENERFREES™**  
Window & Wall Systems

Manufacturer of High-performance Aluminum Systems  
Address: 6 Denison St., Markham, Ontario, L3R 1B6  
Tel: 1-800-678-1118  
www.enerfrees.com

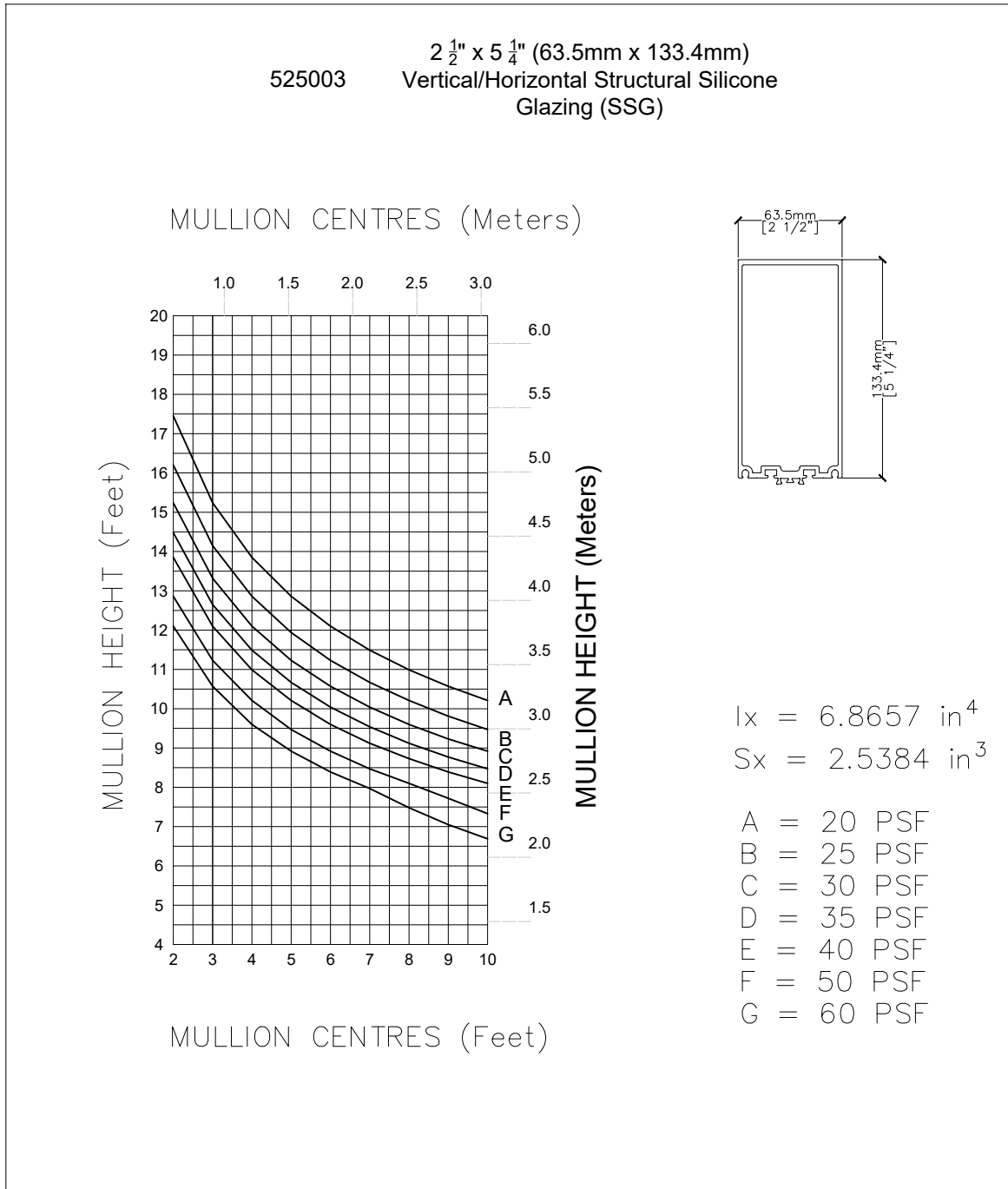
905-604-5118  
info@enerfrees.com

V2022.10

# 5250 CURTAIN WALL (SSG)

5250.4.2  
WIND LOAD CHART

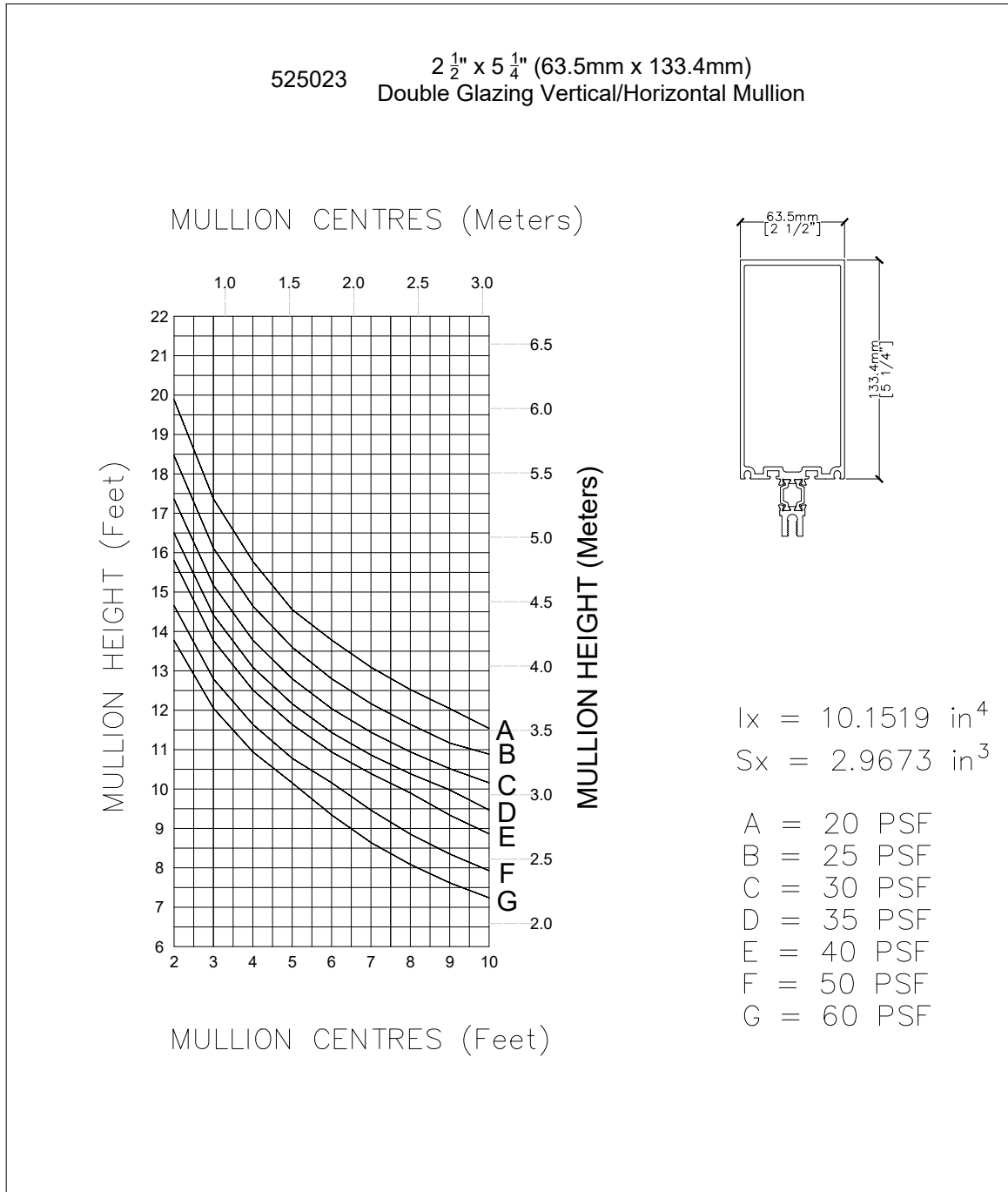
SSG 63.5MM (2 1/2") x 133.4MM (5 1/4")



# 5250 CURTAIN WALL (Double Glazed)

5250.4.5  
WIND LOAD CHART

Double Glazed 63.5mm (2 1/2") X 133.4mm (5 1/4")



**ENERFREES™**  
Window & Wall Systems

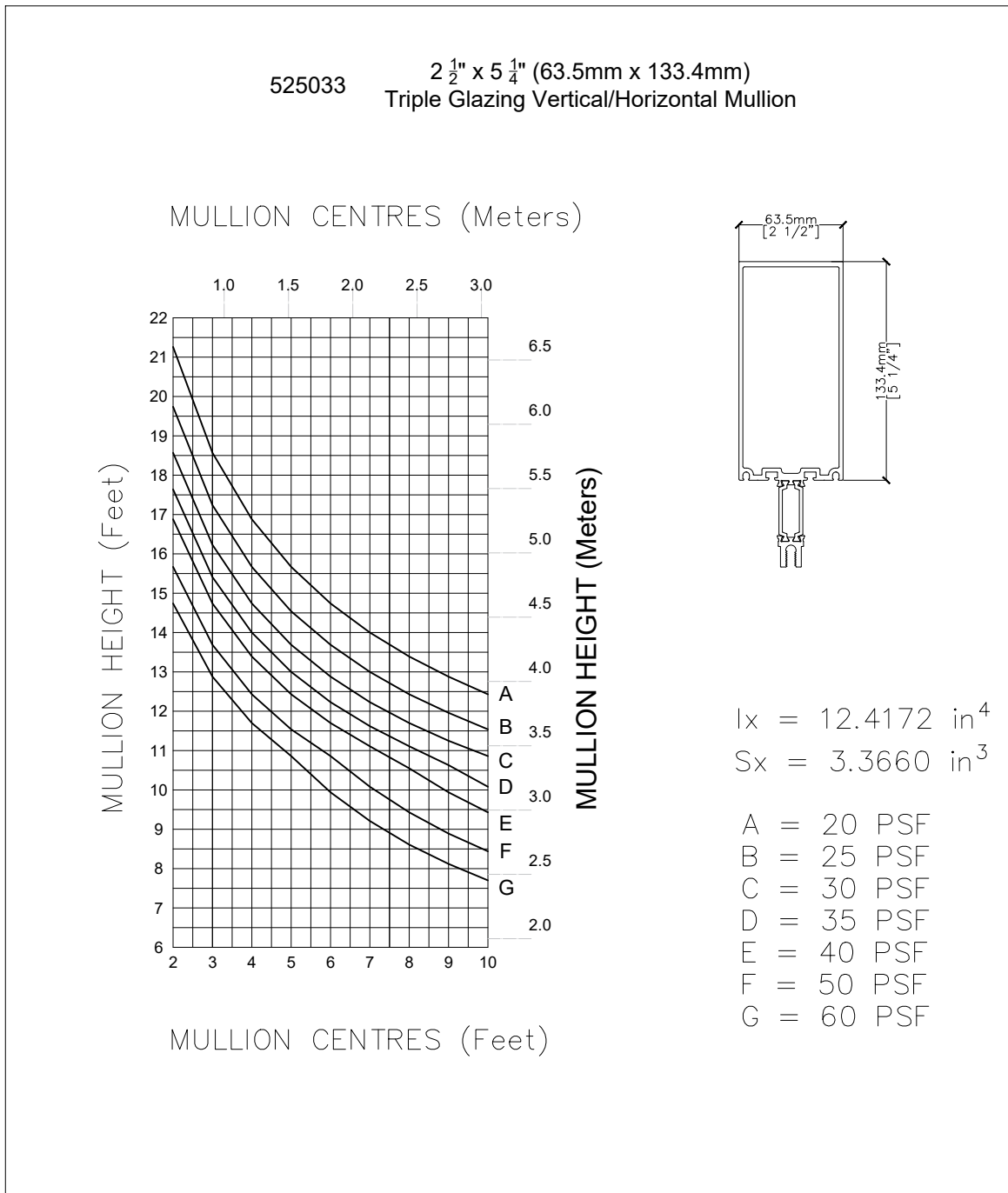
Manufacturer of High-performance Aluminum Systems  
Address: 6 Denison St., Markham, Ontario, L3R 1B6  
Tel: 1-800-678-1118      905-604-5118  
www.enerfrees.com      info@enerfrees.com

V2022.10

# 5250 CURTAIN WALL (Triple Glazed)

5250.4.8  
WIND LOAD CHART

Triple Glazed 63.5mm (2 1/2") X 133.4mm (5 1/4")

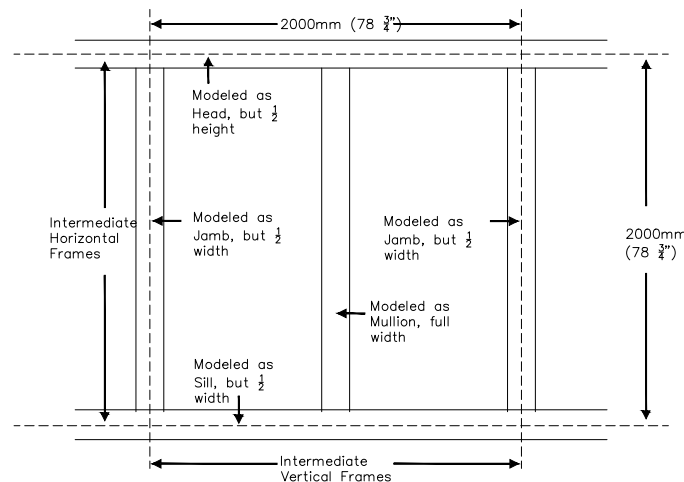


**ENERFREES™**  
Window & Wall Systems

Manufacturer of High-performance Aluminum Systems  
Address: 6 Denison St., Markham, Ontario, L3R 1B6  
Tel: 1-800-678-1118      905-604-5118  
www.enerfrees.com      info@enerfrees.com

V2022.10

1. The overall product U-factors are determined in accordance with NFRC 100-2010.
2. The Center-of-Glazing U-factors are determined by the insulated glass unit (IGU) and should be obtained from the glass supplier.
3. The simulated specimen size is based on NFRC 100-2010 Table 4-3 Product Type Curtain Wall, which is 2000mm (78 3/4") width by 2000mm (78 3/4") height (1/2 height of head and sill, 1/2 width of the vertical mullion). See below:



## DOUBLE GLAZED

### METRIC UNIT

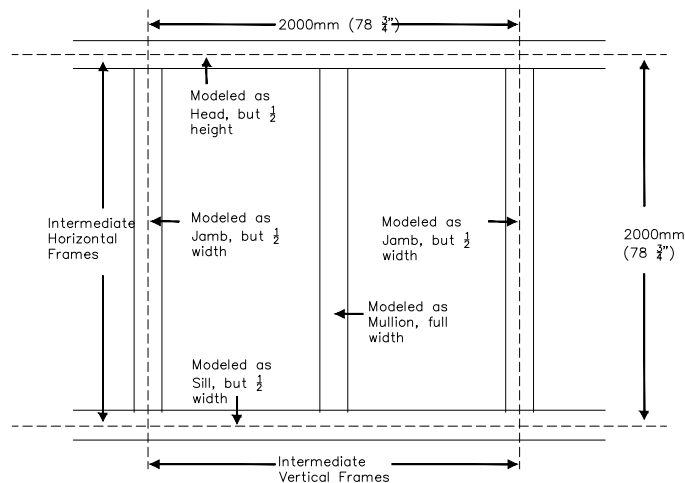
Center-of-Glazing U-factor (W/m <sup>2</sup> -K)	Non-metal Spacer	Aluminum Spacer
	Product U-factor (W/m <sup>2</sup> -K)	Product U-factor (W/m <sup>2</sup> -K)
1.00	1.43	1.68
1.10	1.52	1.76
1.20	1.61	1.84
1.30	1.69	1.92
1.40	1.78	2.01
1.50	1.86	2.09
1.60	1.95	2.17
1.70	2.04	2.25
1.80	2.12	2.34
1.90	2.21	2.42
2.00	2.29	2.50
2.10	2.38	2.58
2.20	2.47	2.67
2.30	2.55	2.75
2.40	2.64	2.83
2.50	2.72	2.91

### IMPERIAL UNIT

Center-of-Glazing U-factor (Btu/h-ft <sup>2</sup> -F)	Non-metal Spacer	Aluminum Spacer
	Product U-factor (Btu/h-ft <sup>2</sup> -F)	Product U-factor (Btu/h-ft <sup>2</sup> -F)
0.18	0.26	0.30
0.20	0.27	0.31
0.22	0.29	0.33
0.24	0.31	0.35
0.26	0.32	0.36
0.28	0.34	0.38
0.30	0.36	0.40
0.32	0.38	0.41
0.34	0.39	0.43
0.36	0.41	0.45
0.38	0.43	0.46
0.40	0.44	0.48
0.42	0.46	0.50
0.44	0.48	0.51



1. The overall product U-factors are determined in according with NFRC 100-2010.
2. The Center-of-Glazing U-factors are determined by the insulated glass unit (IGU) and should be obtained from the glass supplier.
3. The simulated specimen size is based on NFRC 100-2010 Table 4-3 Product Type Curtain Wall, which is 2000mm (78 3/4") width by 2000mm (78 3/4") height (1/2 height of head and sill, 1/2 width of the vertical mullion). See below:



## TRIPLE GLAZED

METRIC UNIT

Center-of-Glazing U-factor (W/m2-K)	Non-metal Spacer	Aluminum Spacer
	Product U-factor (W/m2-K)	Product U-factor (W/m2-K)
0.50	0.83	1.09
0.60	0.91	1.17
0.70	1.00	1.26
0.80	1.09	1.34
0.90	1.18	1.43
1.00	1.27	1.51
1.10	1.36	1.59
1.20	1.45	1.68
1.30	1.53	1.76
1.40	1.62	1.85
1.50	1.70	1.93
1.60	1.79	2.02
1.70	1.88	2.10

IMPERIAL UNIT

Center-of-Glazing U-factor (Btu/h-ft2-F)	Non-metal Spacer	Aluminum Spacer
	Product U-factor (Btu/h-ft2-F)	Product U-factor (Btu/h-ft2-F)
0.10	0.16	0.20
0.12	0.17	0.22
0.14	0.19	0.24
0.16	0.21	0.25
0.18	0.23	0.27
0.20	0.24	0.29
0.22	0.26	0.30
0.24	0.28	0.32
0.26	0.30	0.34
0.28	0.31	0.35
0.30	0.33	0.37