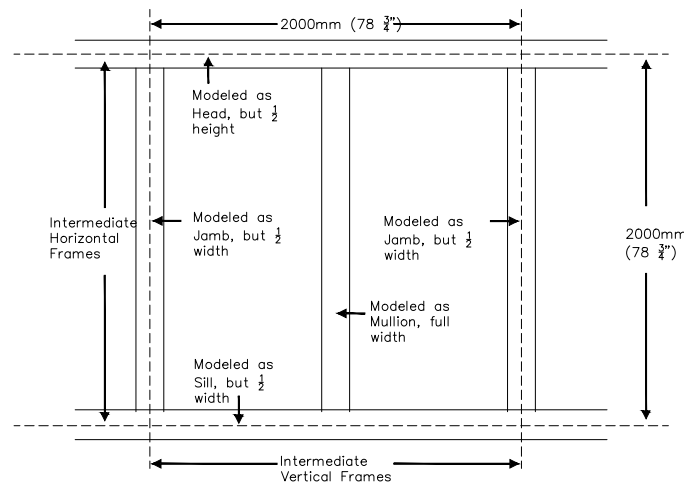


1. The overall product U-factors are determined in accordance with NFRC 100-2010.
2. The Center-of-Glazing U-factors are determined by the insulated glass unit (IGU) and should be obtained from the glass supplier.
3. The simulated specimen size is based on NFRC 100-2010 Table 4-3 Product Type Curtain Wall, which is 2000mm (78 3/4") width by 2000mm (78 3/4") height (1/2 height of head and sill, 1/2 width of the vertical mullion). See below:



DOUBLE GLAZED

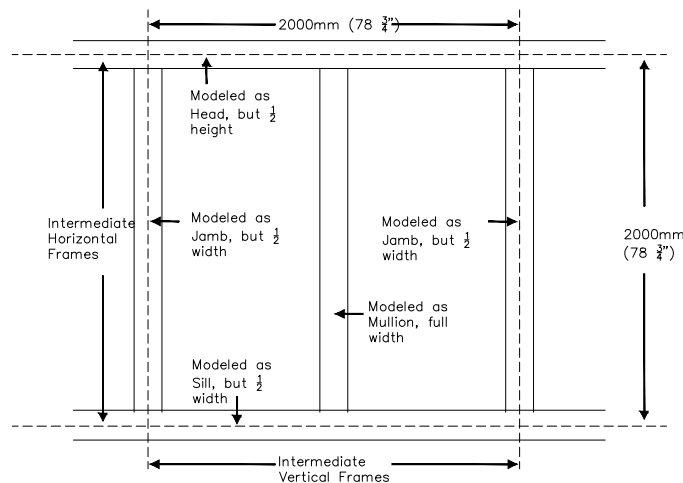
METRIC UNIT

Center-of-Glazing U-factor (W/m ² -K)	Non-metal Spacer	Aluminum Spacer
	Product U-factor (W/m ² -K)	Product U-factor (W/m ² -K)
1.00	1.43	1.68
1.10	1.52	1.76
1.20	1.61	1.84
1.30	1.69	1.92
1.40	1.78	2.01
1.50	1.86	2.09
1.60	1.95	2.17
1.70	2.04	2.25
1.80	2.12	2.34
1.90	2.21	2.42
2.00	2.29	2.50
2.10	2.38	2.58
2.20	2.47	2.67
2.30	2.55	2.75
2.40	2.64	2.83
2.50	2.72	2.91

IMPERIAL UNIT

Center-of-Glazing U-factor (Btu/h-ft ² -F)	Non-metal Spacer	Aluminum Spacer
	Product U-factor (Btu/h-ft ² -F)	Product U-factor (Btu/h-ft ² -F)
0.18	0.26	0.30
0.20	0.27	0.31
0.22	0.29	0.33
0.24	0.31	0.35
0.26	0.32	0.36
0.28	0.34	0.38
0.30	0.36	0.40
0.32	0.38	0.41
0.34	0.39	0.43
0.36	0.41	0.45
0.38	0.43	0.46
0.40	0.44	0.48
0.42	0.46	0.50
0.44	0.48	0.51

1. The overall product U-factors are determined in according with NFRC 100-2010.
2. The Center-of-Glazing U-factors are determined by the insulated glass unit (IGU) and should be obtained from the glass supplier.
3. The simulated specimen size is based on NFRC 100-2010 Table 4-3 Product Type Curtain Wall, which is 2000mm (78 3/4") width by 2000mm (78 3/4") height (1/2 height of head and sill, 1/2 width of the vertical mullion). See below:



TRIPLE GLAZED

METRIC UNIT

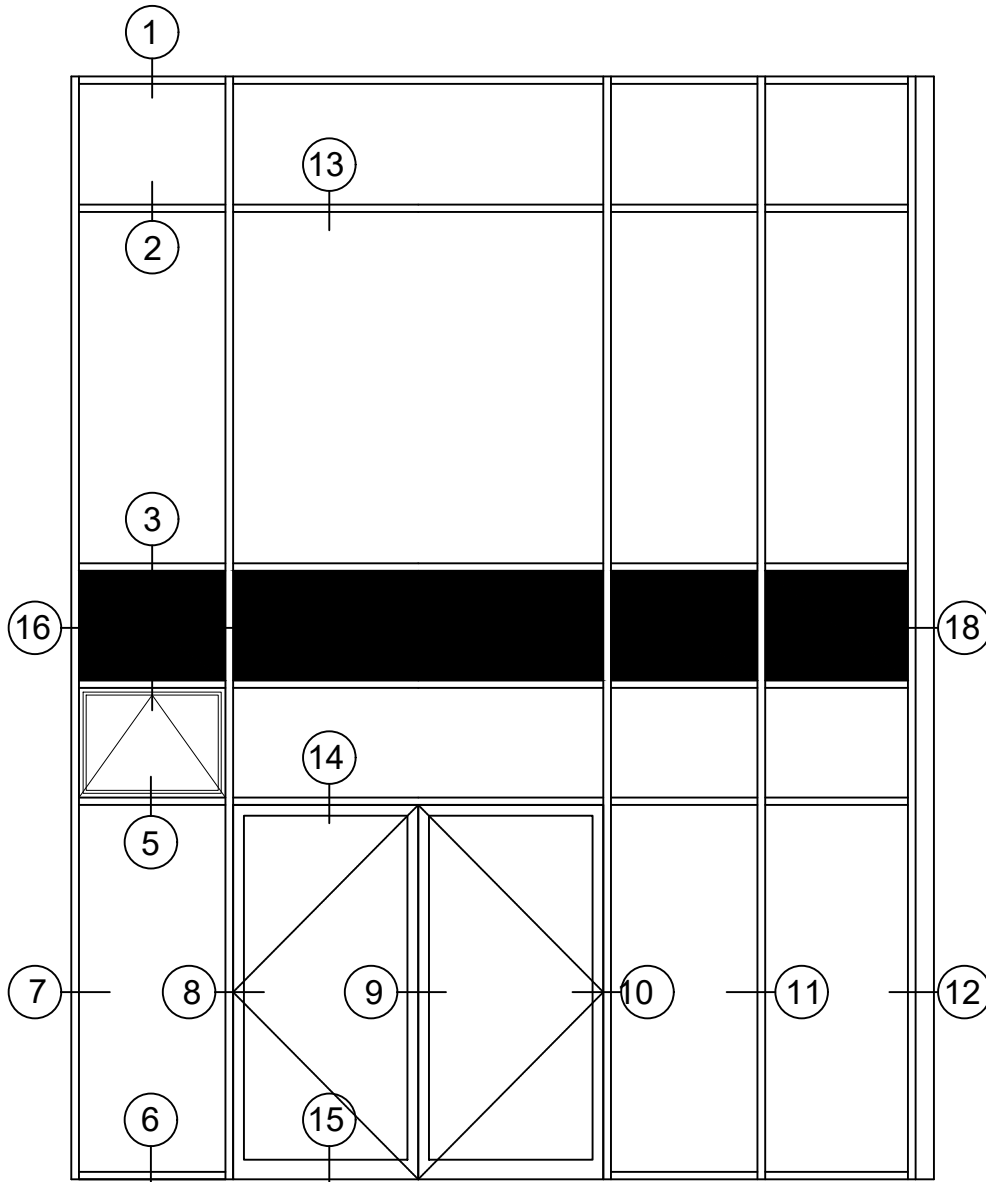
Center-of-Glazing U-factor (W/m ² -K)	Non-metal Spacer	Aluminum Spacer
	Product U-factor (W/m ² -K)	Product U-factor (W/m ² -K)
0.50	0.83	1.09
0.60	0.91	1.17
0.70	1.00	1.26
0.80	1.09	1.34
0.90	1.18	1.43
1.00	1.27	1.51
1.10	1.36	1.59
1.20	1.45	1.68
1.30	1.53	1.76
1.40	1.62	1.85
1.50	1.70	1.93
1.60	1.79	2.02
1.70	1.88	2.10

IMPERIAL UNIT

Center-of-Glazing U-factor (Btu/h-ft ² -F)	Non-metal Spacer	Aluminum Spacer
	Product U-factor (Btu/h-ft ² -F)	Product U-factor (Btu/h-ft ² -F)
0.10	0.16	0.20
0.12	0.17	0.22
0.14	0.19	0.24
0.16	0.21	0.25
0.18	0.23	0.27
0.20	0.24	0.29
0.22	0.26	0.30
0.24	0.28	0.32
0.26	0.30	0.34
0.28	0.31	0.35
0.30	0.33	0.37

5250 CURTAIN WALL (Double Glazed) SECTION 165.1mm (6 1/2")

5250.40.20.0



5250 Thermally Broken Curtain Wall (Double Glazed) is widely used framing profile series for residential, commercial, and industrial setting. It provides unlimited integration to standards or any custom size operable windows and/or doors.



ENERFREES™
Window & Wall Systems

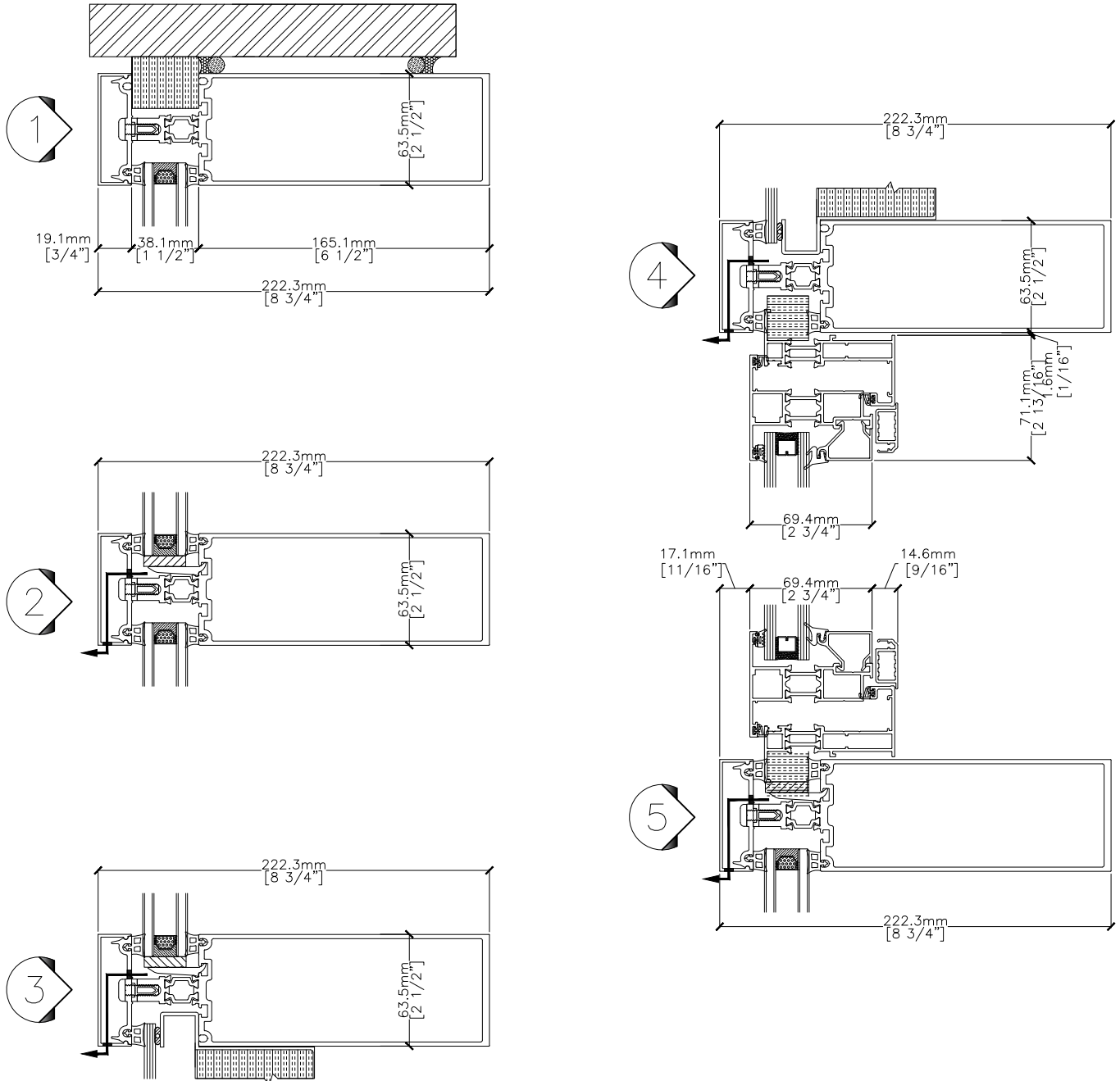
Manufacturer of High-performance Aluminum Systems
Address: 6 Denison St., Markham, Ontario, L3R 1B6
Tel: 1-800-678-1118
www.enerfrees.com

905-604-5118
info@enerfrees.com

V2022.10

5250 CURTAIN WALL (Double Glazed) SECTION 165.1mm (6 1/2")

5250.40.20.1



ENERFREES™
Window & Wall Systems

Manufacturer of High-performance Aluminum Systems
Address: 6 Denison St., Markham, Ontario, L3R 1B6
Tel: 1-800-678-1118
www.enerfrees.com

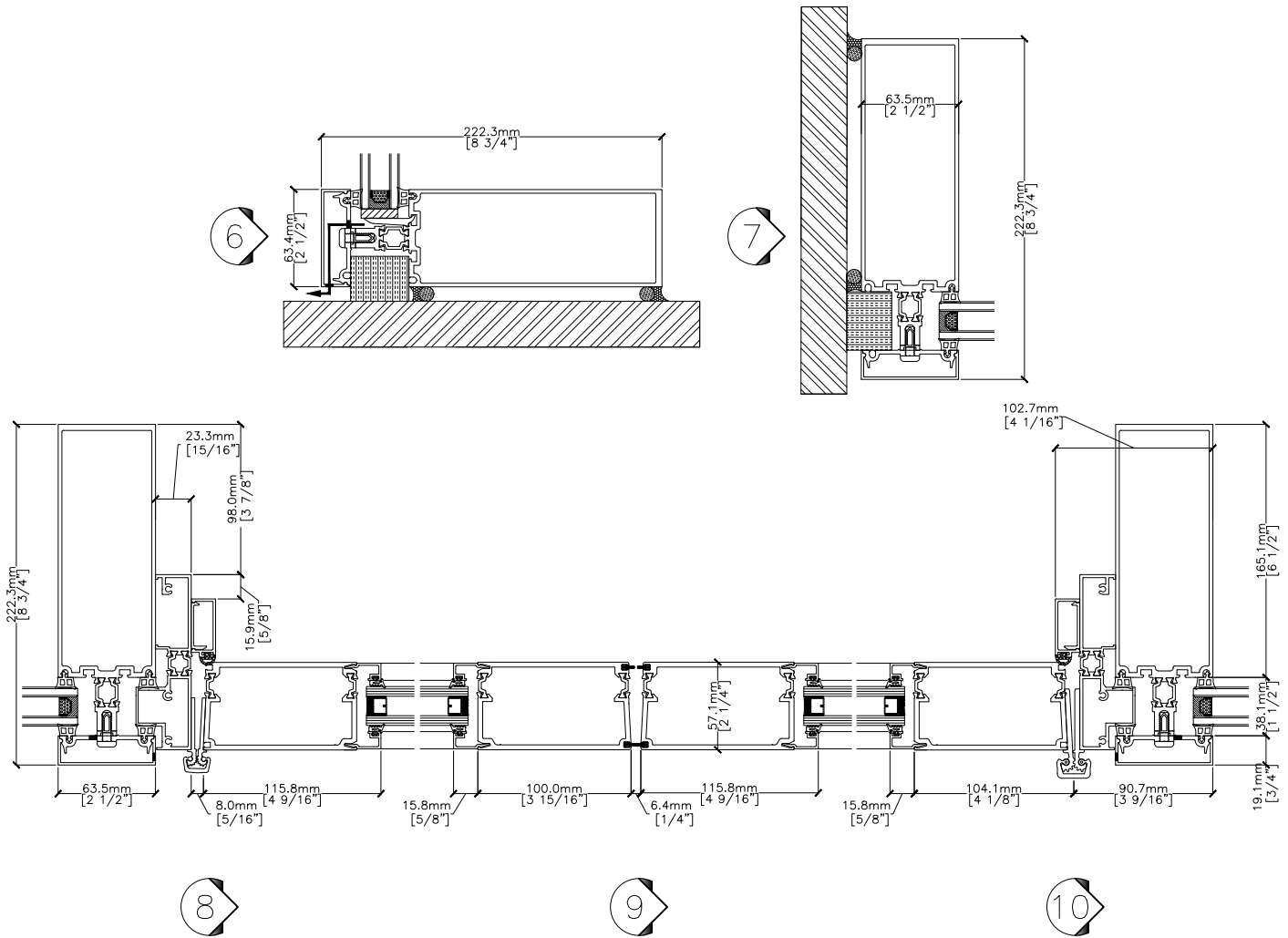
905-604-5118
info@enerfrees.com

V2022.10

5250 CURTAIN WALL (Double Glazed) SECTION 165.1mm (6 1/2")

5250.40.20.2

SECTION 165.1mm (6 1/2")



ENERFREES™
Window & Wall Systems

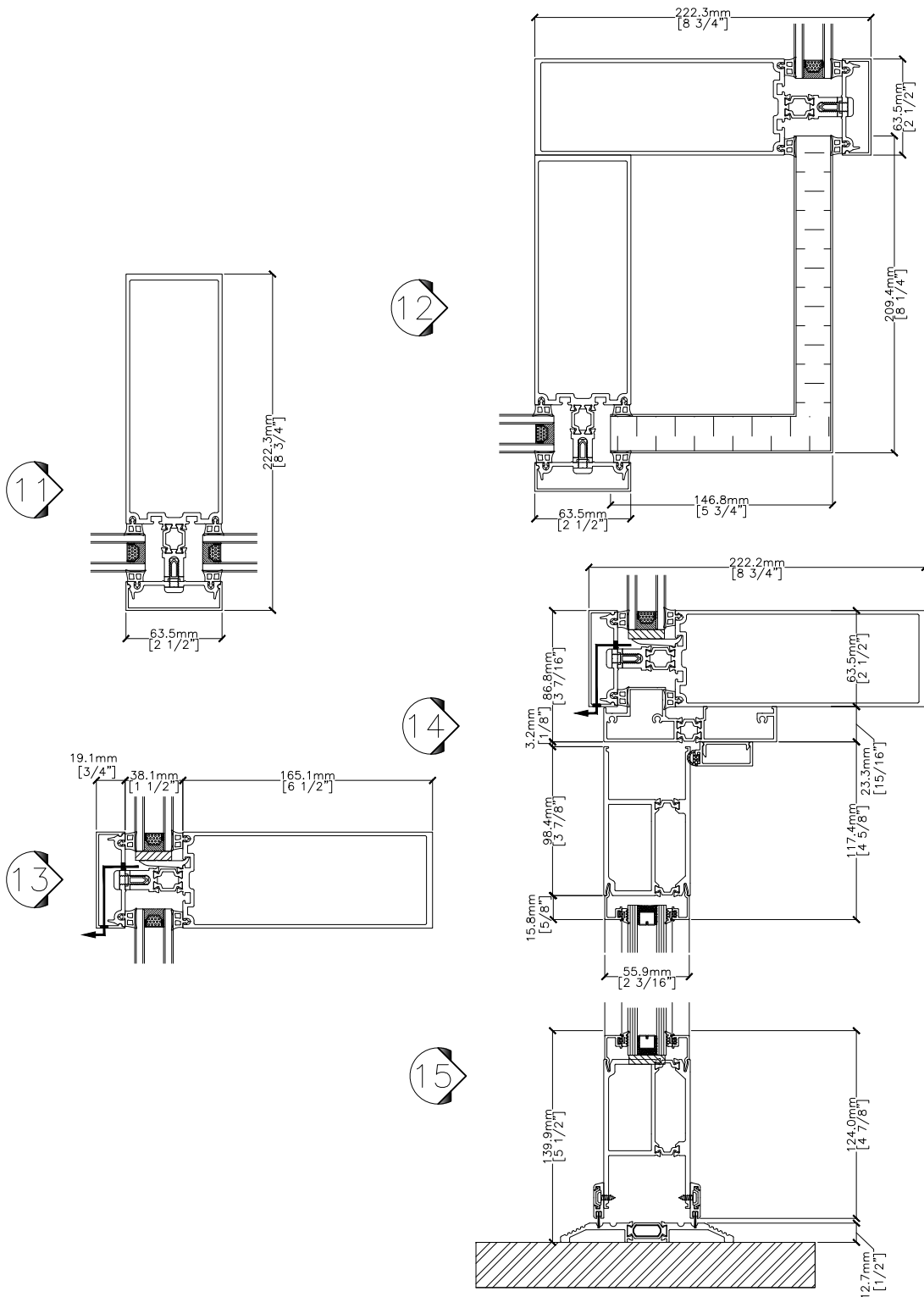
Manufacturer of High-performance Aluminum Systems
Address: 6 Denison St., Markham, Ontario, L3R 1B6
Tel: 1-800-678-1118
www.enerfrees.com

905-604-5118
info@enerfrees.com

V2022.10

5250 CURTAIN WALL (Double Glazed) SECTION 165.1mm (6 1/2")

5250.40.20.3



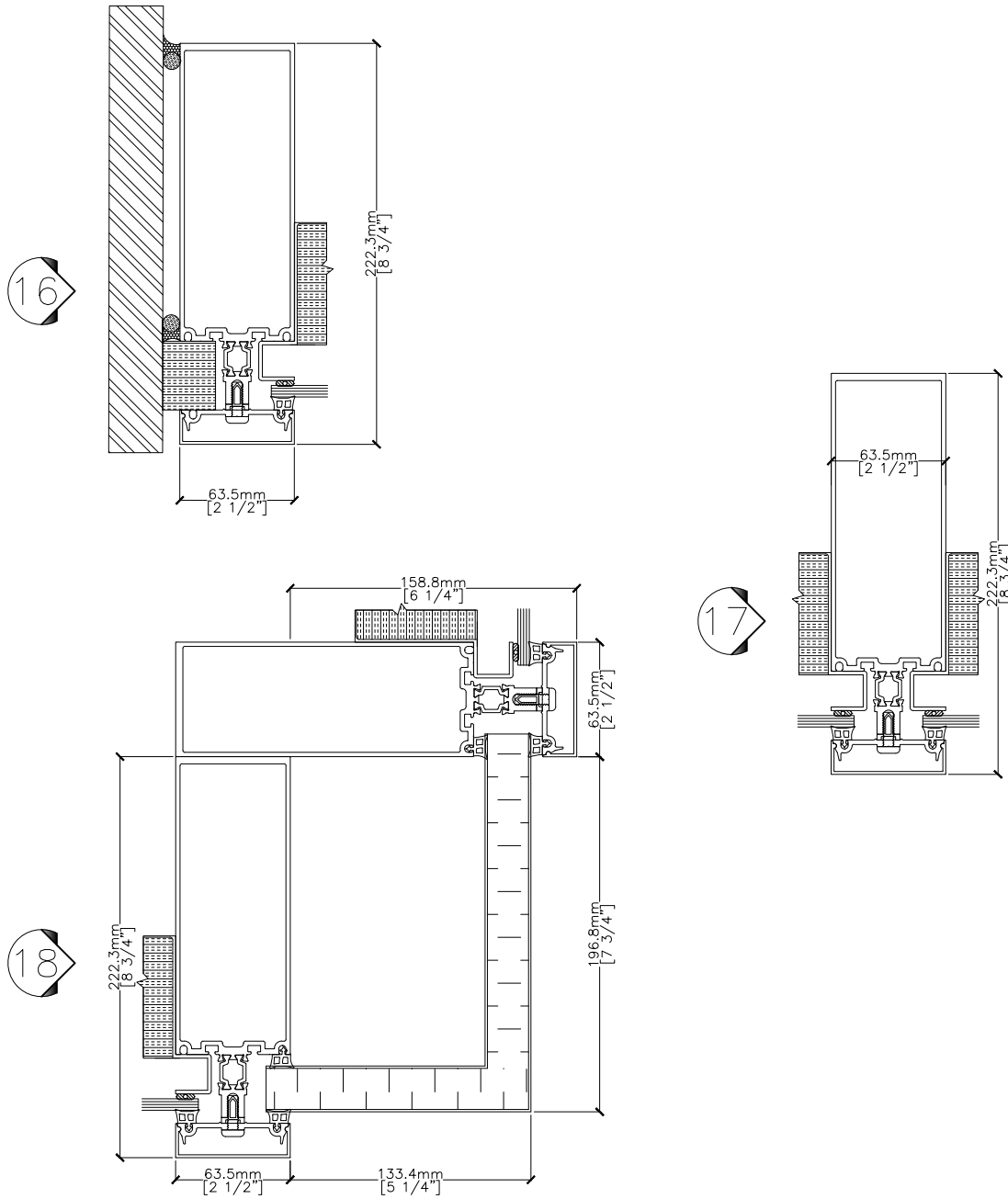
ENERFREES™
Window & Wall Systems

Manufacturer of High-performance Aluminum Systems
Address: 6 Denison St., Markham, Ontario, L3R 1B6
Tel: 1-800-678-1118 905-604-5118
www.enerfrees.com info@enerfrees.com

V2022.10

5250 CURTAIN WALL (Double Glazed) SECTION 165.1mm (6 1/2")

5250.40.20.4



ENERFREES™
Window & Wall Systems

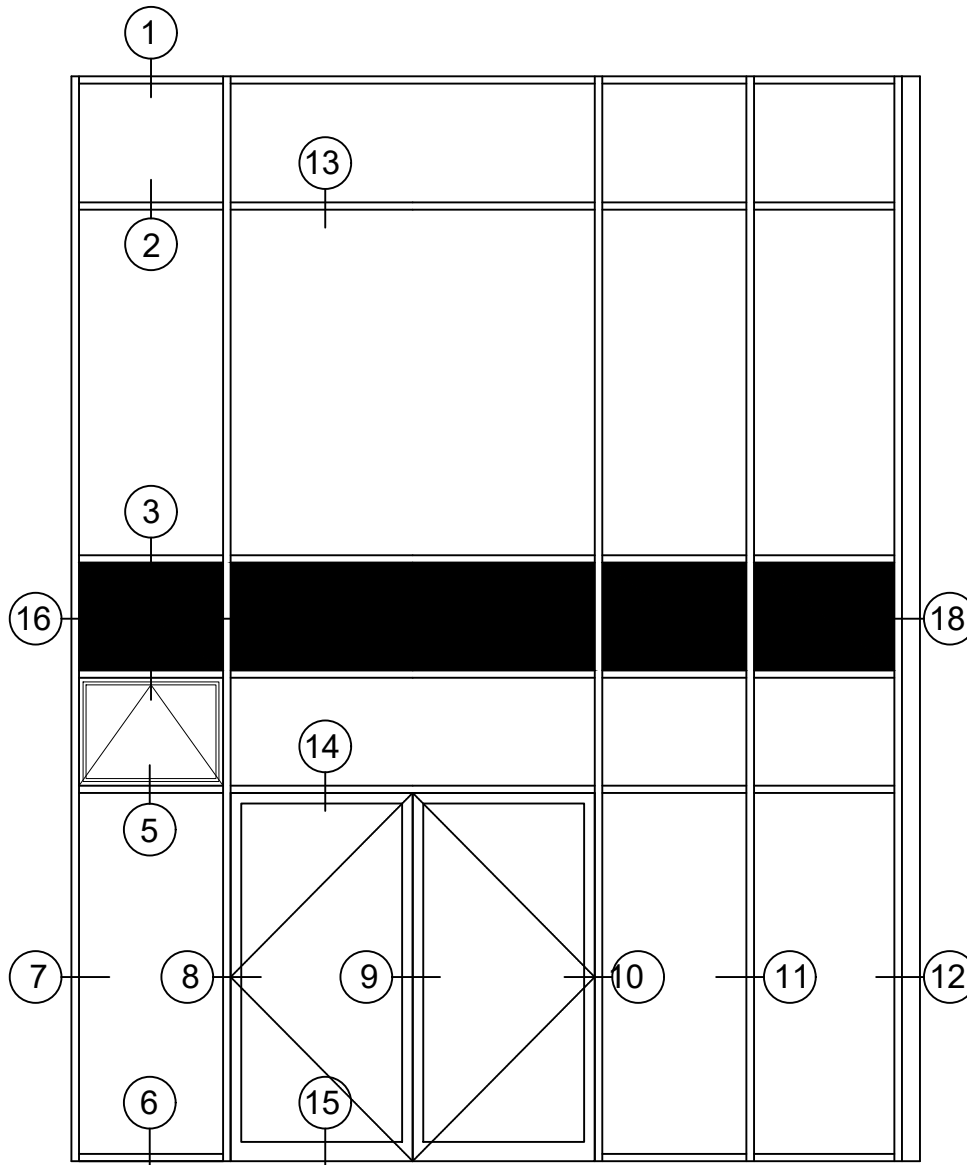
Manufacturer of High-performance Aluminum Systems
Address: 6 Denison St., Markham, Ontario, L3R 1B6
Tel: 1-800-678-1118
www.enerfrees.com

905-604-5118
info@enerfrees.com

V2022.10

5250 CURTAIN WALL (Triple Glazed)

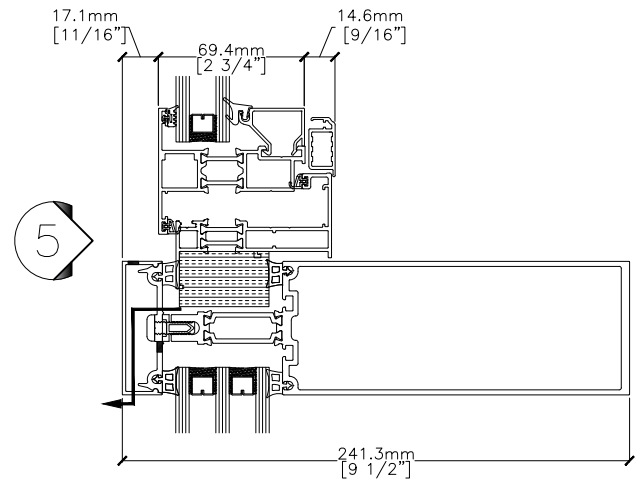
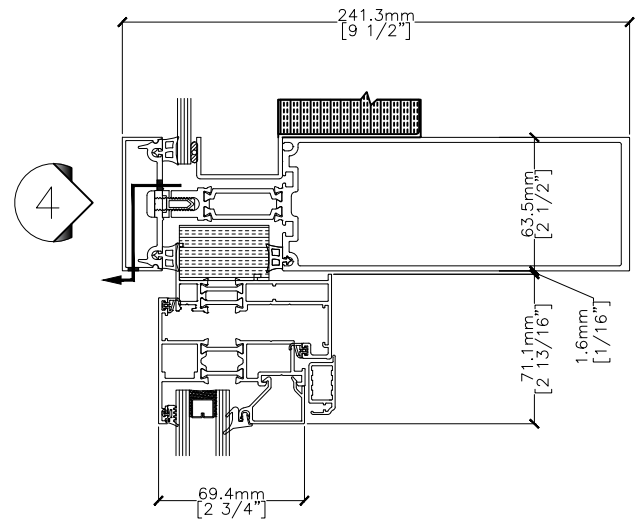
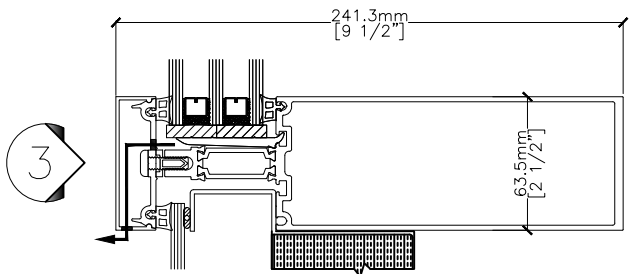
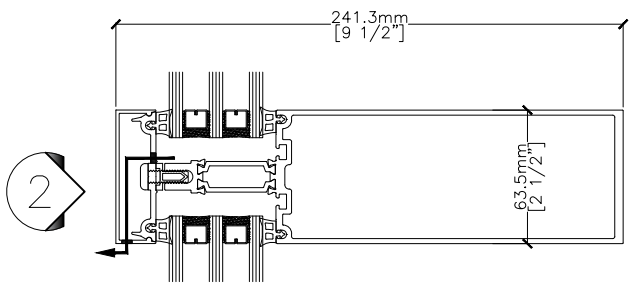
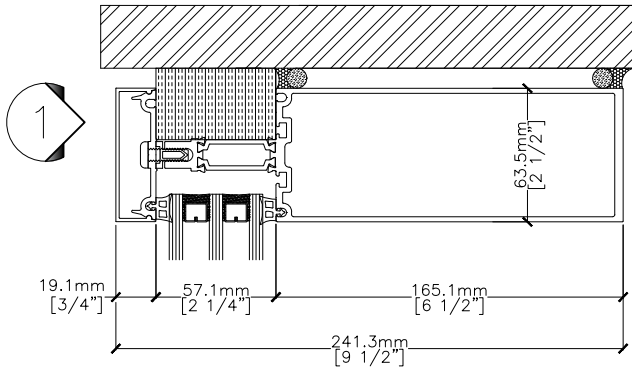
5250.40.30.0
SECTION 165.1mm (6 1/2")



5250 Thermally Broken Curtain Wall (Triple Glazed) is widely used framing profile series for residential, commercial, and industrial setting with added resistance to weather. It provides unlimited option to standard or any custom size operable windows and/or doors.

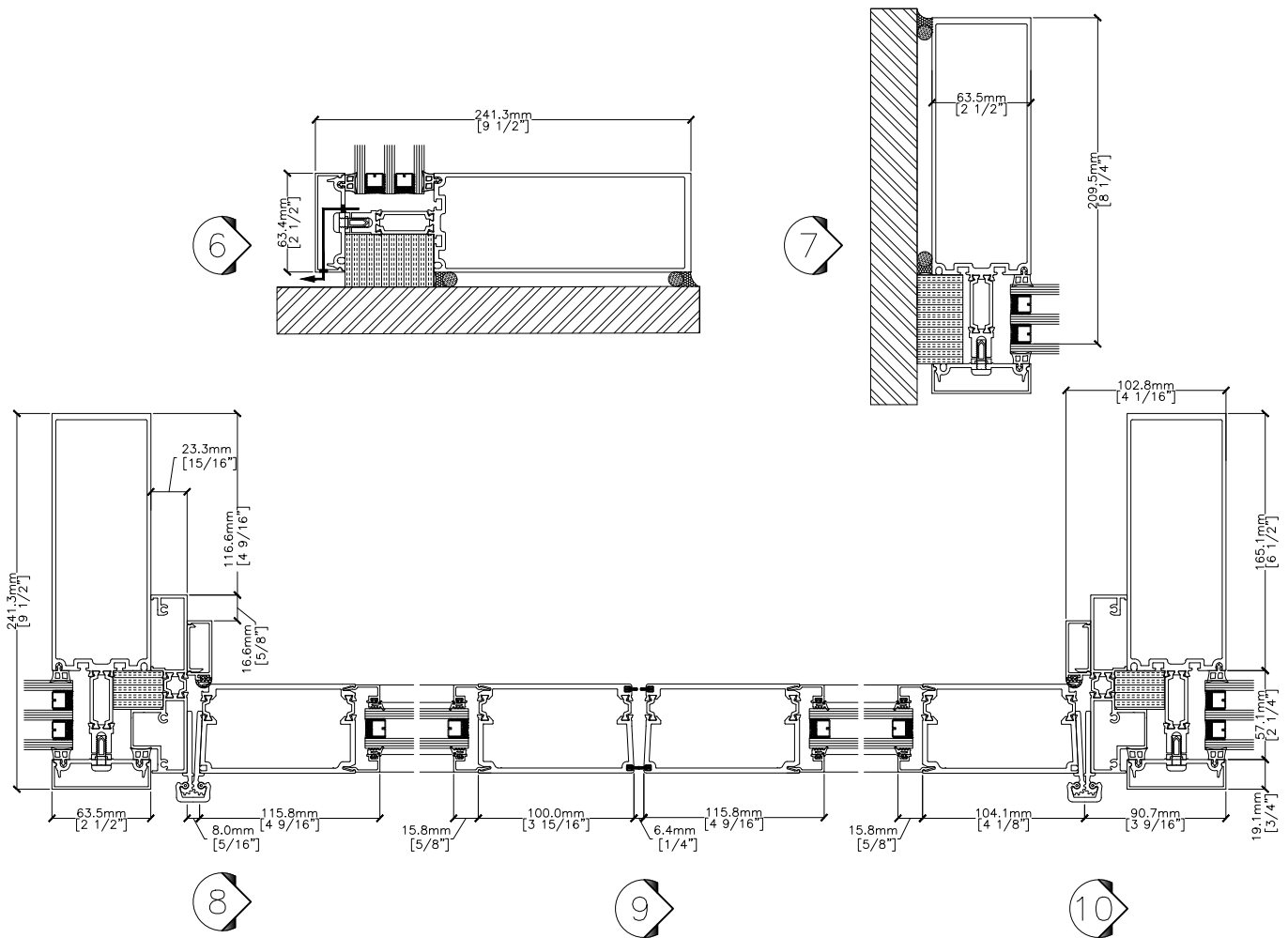
5250 CURTAIN WALL (Triple Glazed)

5250.40.30.1
SECTION 165.1mm (6 1/2")



5250 CURTAIN WALL (Triple Glazed)

5250.40.30.2
SECTION 165.1mm (6 1/2")



ENERFREES™
Window & Wall Systems

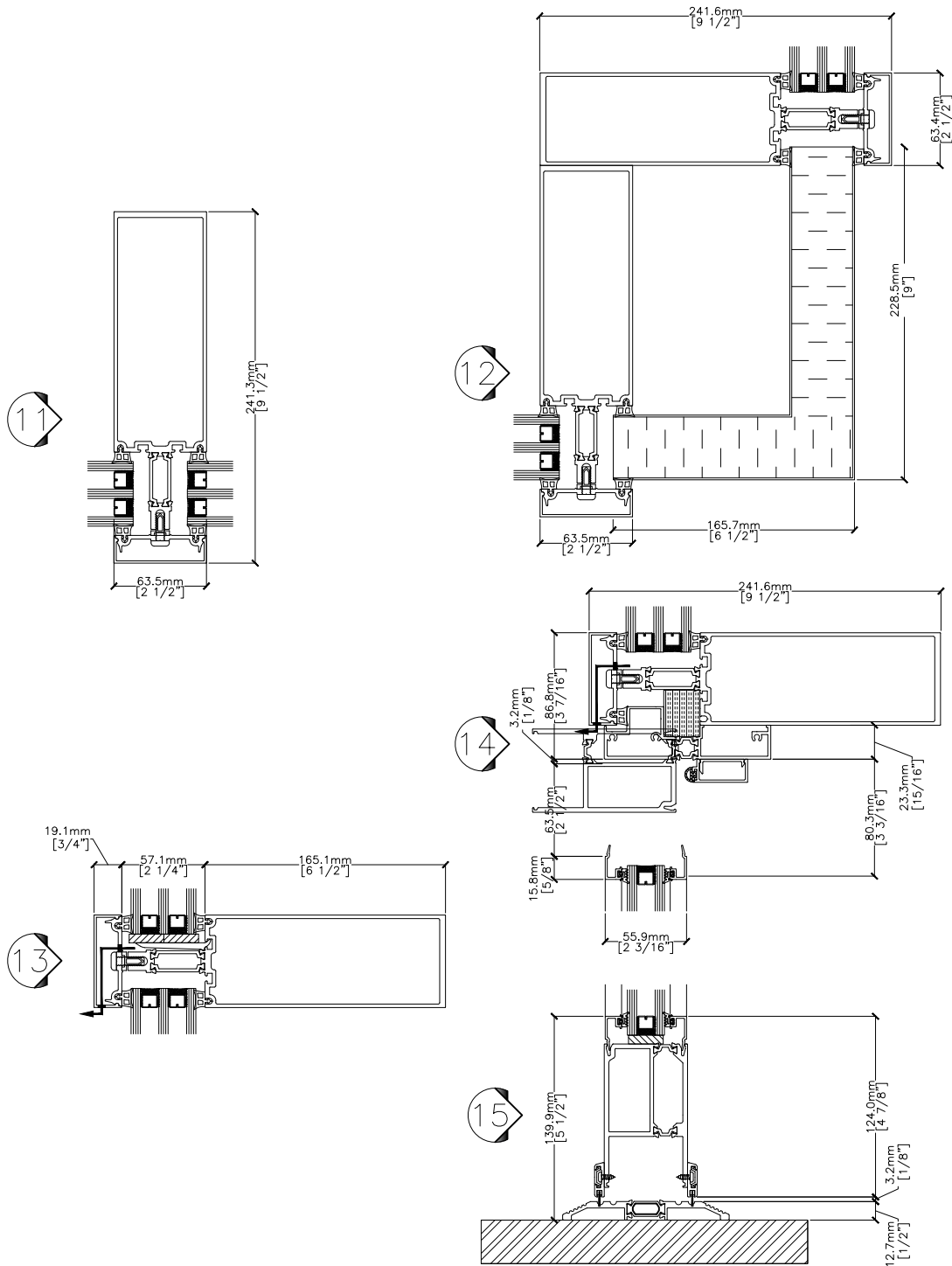
Manufacturer of High-performance Aluminum Systems
Address: 6 Denison St., Markham, Ontario, L3R 1B6
Tel: 1-800-678-1118
www.enerfrees.com

905-604-5118
info@enerfrees.com

V2022.10

5250 CURTAIN WALL (Triple Glazed)

5250.40.30.3
SECTION 165.1mm (6 1/2")



ENERFREES™
Window & Wall Systems

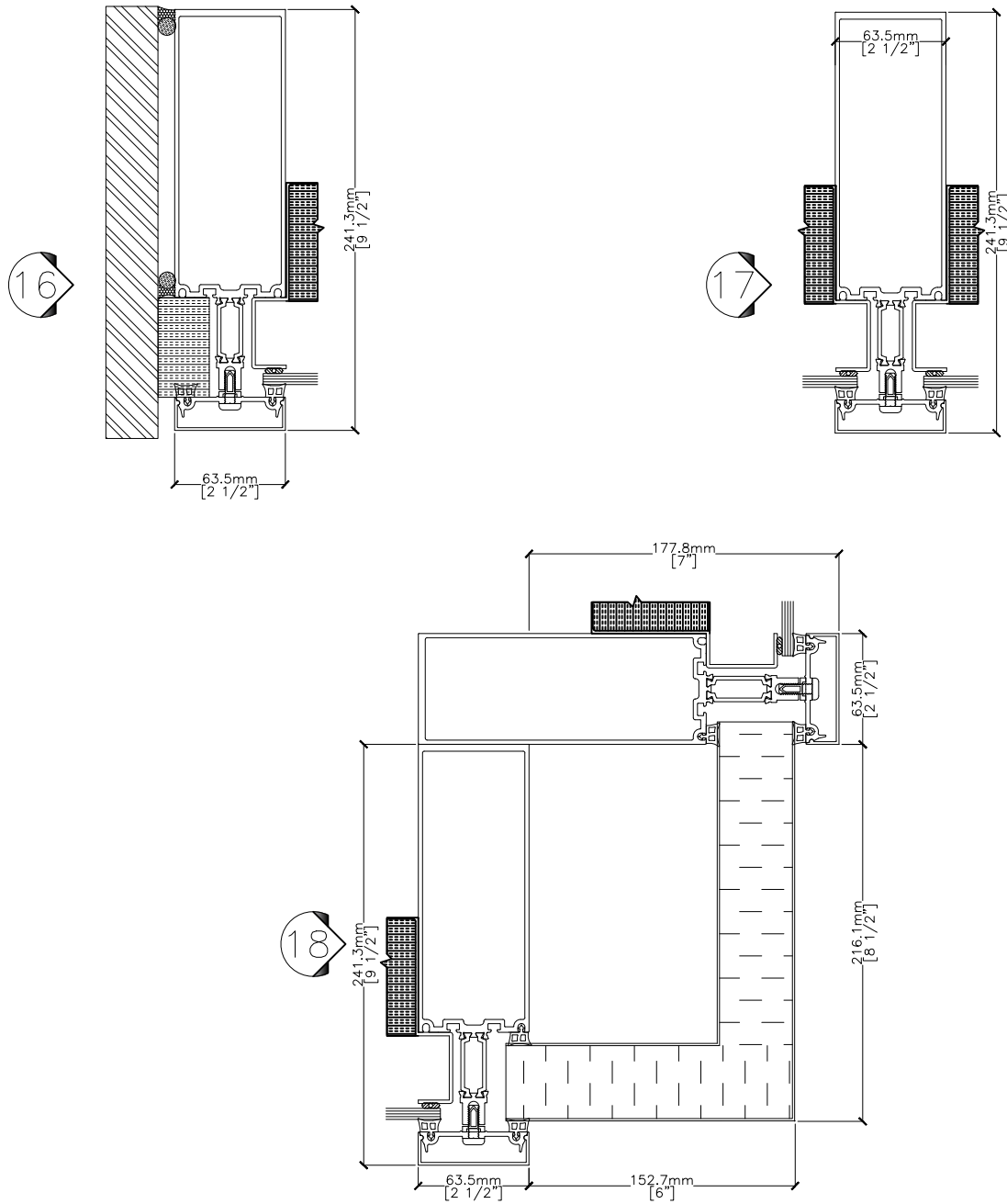
Manufacturer of High-performance Aluminum Systems
Address: 6 Denison St., Markham, Ontario, L3R 1B6
Tel: 1-800-678-1118
www.enerfrees.com

905-604-5118
info@enerfrees.com

V2022.10

5250 CURTAIN WALL (Triple Glazed)

5250.40.30.4
SECTION 165.1mm (6 1/2")



ENERFREES™
Window & Wall Systems

Manufacturer of High-performance Aluminum Systems
Address: 6 Denison St., Markham, Ontario, L3R 1B6
Tel: 1-800-678-1118
www.enerfrees.com

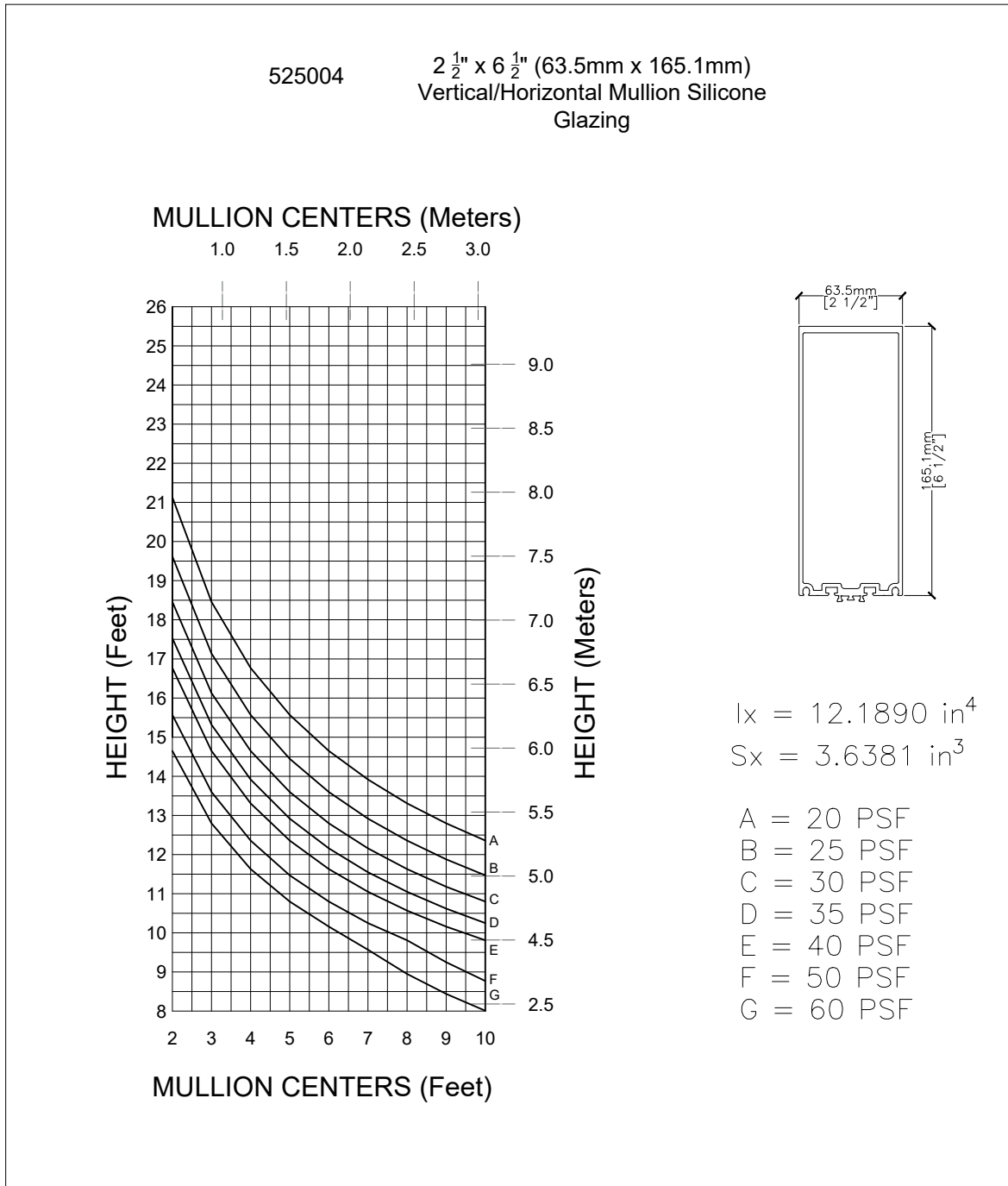
905-604-5118
info@enerfrees.com

V2022.10

5250 CURTAIN WALL (SSG)

5250.4.3
WIND LOAD CHART

SSG 63.5MM (2 1/2") x 165.1MM (6 1/2")



ENERFREES™
Window & Wall Systems

Manufacturer of High-performance Aluminum Systems
Address: 6 Denison St., Markham, Ontario, L3R 1B6
Tel: 1-800-678-1118 905-604-5118
www.enerfrees.com info@enerfrees.com

V2022.10

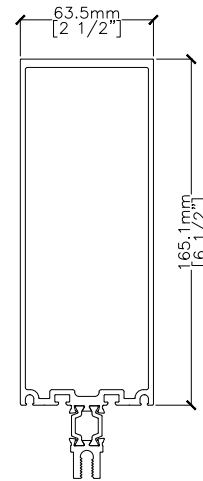
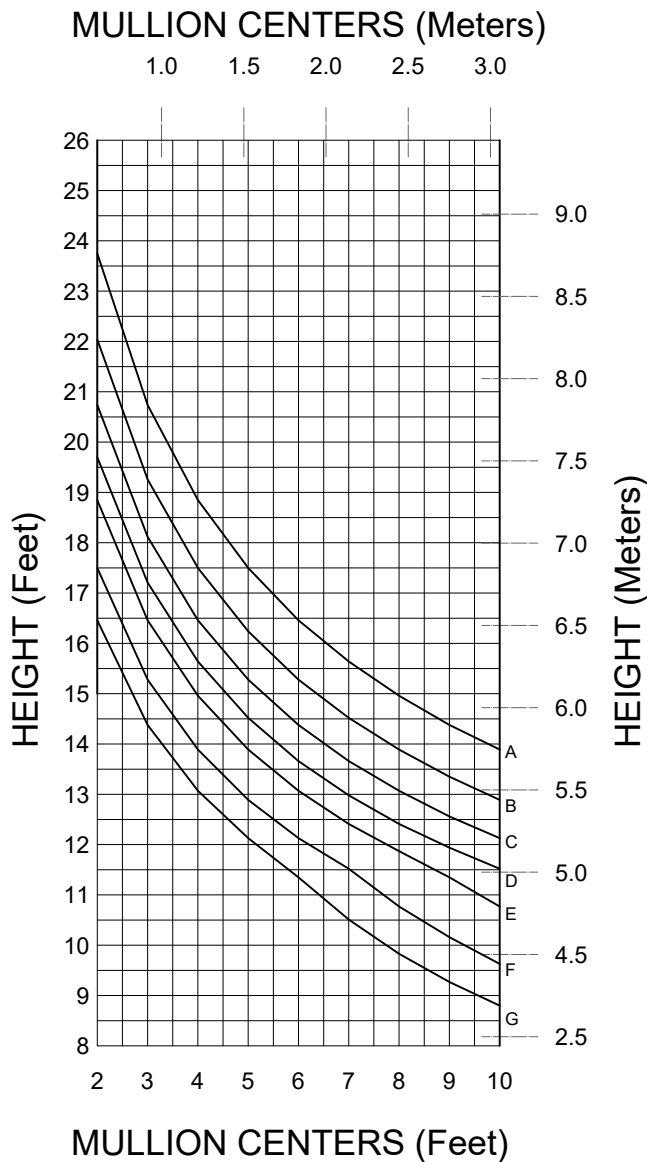
5250 CURTAIN WALL (Double Glazed)

5250.4.7
WIND LOAD CHART

Double Glazed 63.5mm (2 1/2") X 165.1mm (6 1/2")

525024

2 1/2" x 6 1/2" (63.5mm x 165.1mm)
Double Glazing



$$I_x = 17.2972 \text{ in}^4$$

$$S_x = 4.3891 \text{ in}^3$$

- A = 20 PSF
- B = 25 PSF
- C = 30 PSF
- D = 35 PSF
- E = 40 PSF
- F = 50 PSF
- G = 60 PSF



ENERFREES™
Window & Wall Systems

Manufacturer of High-performance Aluminum Systems
Address: 6 Denison St., Markham, Ontario, L3R 1B6
Tel: 1-800-678-1118
www.enerfrees.com

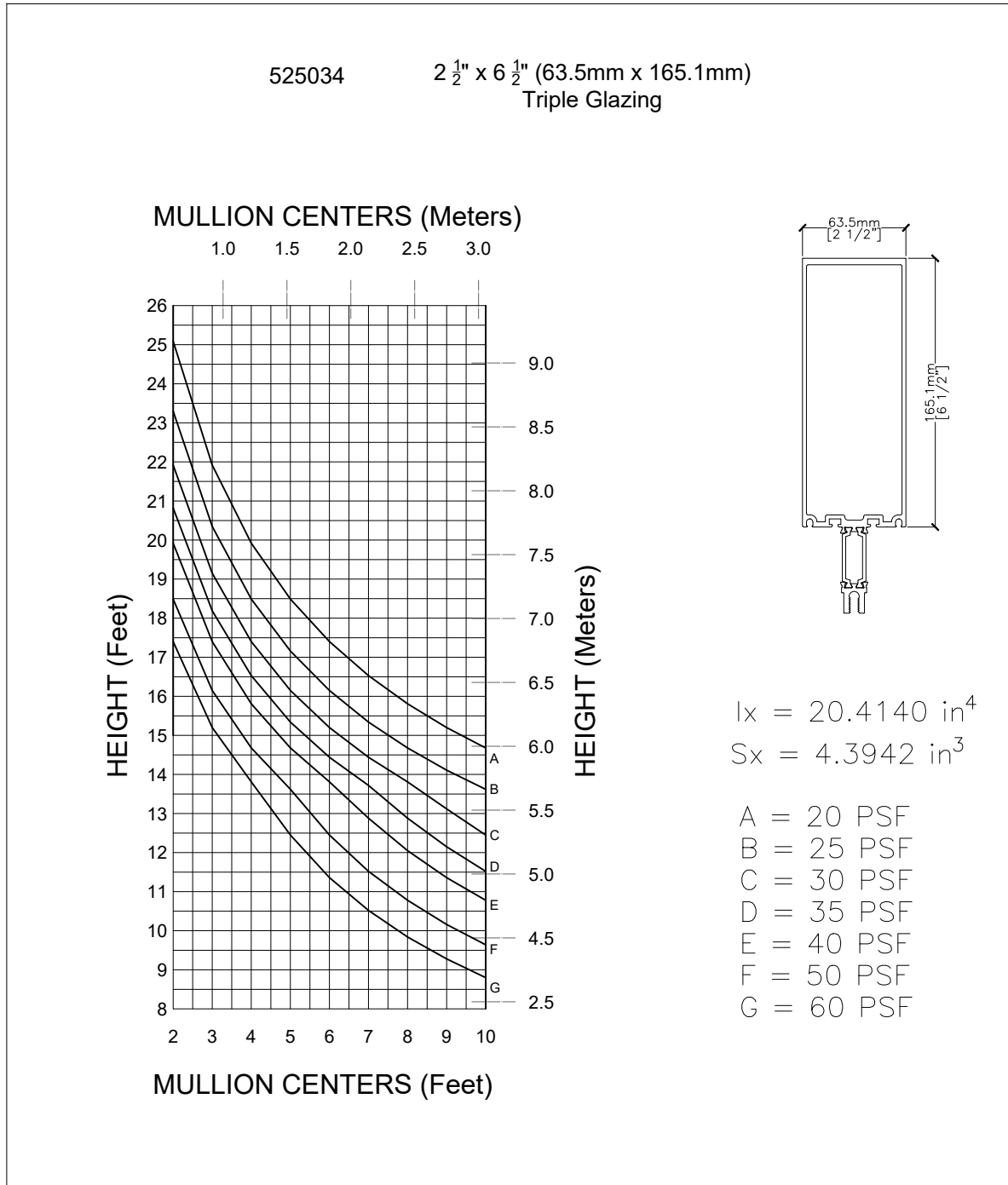
905-604-5118
info@enerfrees.com

V2022.10

5250 CURTAIN WALL (Triple Glazed)

5250.4.11
WIND LOAD CHART

Triple Glazed 63.5mm (2 1/2") X 165.1mm (6 1/2")



ENERFREES™
Window & Wall Systems

Manufacturer of High-performance Aluminum Systems
Address: 6 Denison St., Markham, Ontario, L3R 1B6
Tel: 1-800-678-1118 905-604-5118
www.enerfrees.com info@enerfrees.com

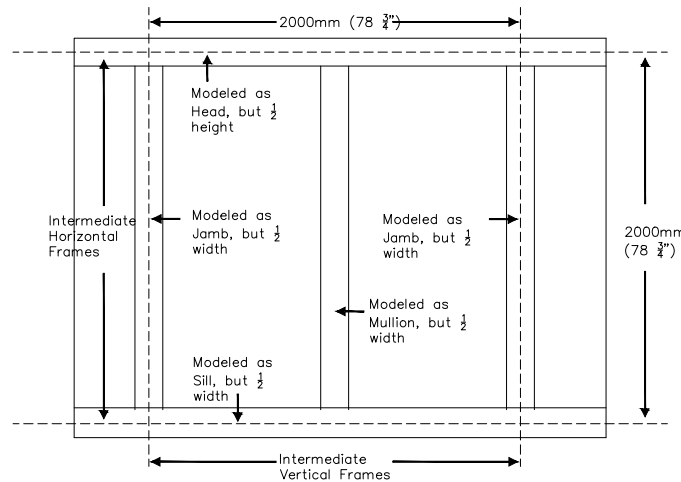
V2022.10

5250 CURTAIN WALL

5250.5.1

U-FACTOR TABLE (Double Glazed)

1. The overall product U-factors are determined in accordance with NFRC 100-2010.
2. The Center-of-Glazing U-factors are determined by the insulated glass unit (IGU) and should be obtained from the glass supplier.
3. The simulated specimen size is based on NFRC 100-2010 Table 4-3 Product Type Curtain Wall, which is 2000mm (78 3/4") width by 2000mm (78 3/4") height (1/2 height of head and sill, 1/2 width of the vertical mullion). See below:



DOUBLE GLAZED

METRIC UNIT

Center-of-Glazing U-factor (W/m ² -K)	Non-metal Spacer	Aluminum Spacer
	Product U-factor (W/m ² -K)	Product U-factor (W/m ² -K)
1.00	1.43	1.68
1.10	1.52	1.76
1.20	1.61	1.84
1.30	1.69	1.92
1.40	1.78	2.01
1.50	1.86	2.09
1.60	1.95	2.17
1.70	2.04	2.25
1.80	2.12	2.34
1.90	2.21	2.42
2.00	2.29	2.50
2.10	2.38	2.58
2.20	2.47	2.67
2.30	2.55	2.75
2.40	2.64	2.83
2.50	2.72	2.91

IMPERIAL UNIT

Center-of-Glazing U-factor (Btu/h-ft ² -F)	Non-metal Spacer	Aluminum Spacer
	Product U-factor (Btu/h-ft ² -F)	Product U-factor (Btu/h-ft ² -F)
0.18	0.26	0.30
0.20	0.27	0.31
0.22	0.29	0.33
0.24	0.31	0.35
0.26	0.32	0.36
0.28	0.34	0.38
0.30	0.36	0.40
0.32	0.38	0.41
0.34	0.39	0.43
0.36	0.41	0.45
0.38	0.43	0.46
0.40	0.44	0.48
0.42	0.46	0.50
0.44	0.48	0.51



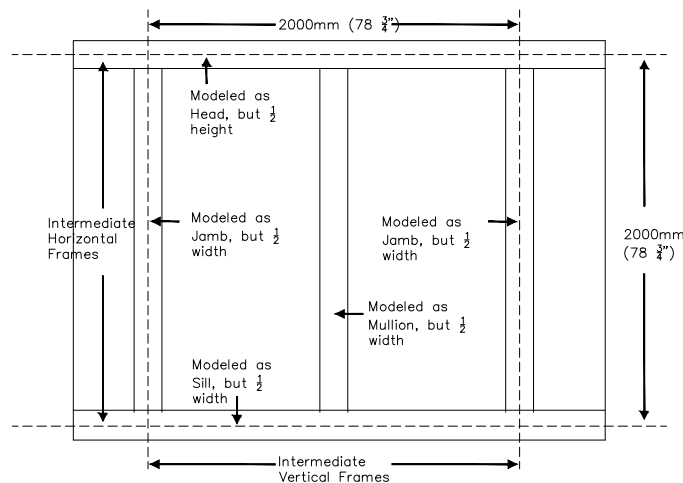
ENERFREES™
Window & Wall Systems

Manufacturer of High-performance Aluminum Systems
Address: 6 Denison St., Markham, Ontario, L3R 1B6
Tel: 1-800-678-1118
www.enerfrees.com

905-604-5118
info@enerfrees.com

V2022.10

1. The overall product U-factors are determined in according with NFRC 100-2010.
2. The Center-of-Glazing U-factors are determined by the insulated glass unit (IGU) and should be obtained from the glass supplier.
3. The simulated specimen size is based on NFRC 100-2010 Table 4-3 Product Type Curtain Wall, which is 2000mm (78 3/4") width by 2000mm (78 3/4") height (1/2 height of head and sill, 1/2 width of the vertical mullion). See below:



TRIPLE GLAZED

METRIC UNIT

Center-of-Glazing U-factor (W/m ² -K)	Non-metal Spacer	Aluminum Spacer
	Product U-factor (W/m ² -K)	Product U-factor (W/m ² -K)
0.50	0.83	1.09
0.60	0.91	1.17
0.70	1.00	1.26
0.80	1.09	1.34
0.90	1.18	1.43
1.00	1.27	1.51
1.10	1.36	1.59
1.20	1.45	1.68
1.30	1.53	1.76
1.40	1.62	1.85
1.50	1.70	1.93
1.60	1.79	2.02
1.70	1.88	2.10

IMPERIAL UNIT

Center-of-Glazing U-factor (Btu/h-ft ² -F)	Non-metal Spacer	Aluminum Spacer
	Product U-factor (Btu/h-ft ² -F)	Product U-factor (Btu/h-ft ² -F)
0.10	0.16	0.20
0.12	0.17	0.22
0.14	0.19	0.24
0.16	0.21	0.25
0.18	0.23	0.27
0.20	0.24	0.29
0.22	0.26	0.30
0.24	0.28	0.32
0.26	0.30	0.34
0.28	0.31	0.35
0.30	0.33	0.37