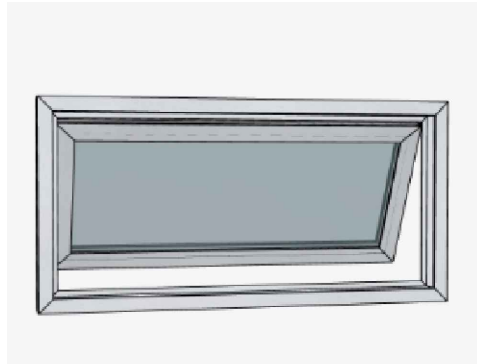


2100 PROJECT WINDOW

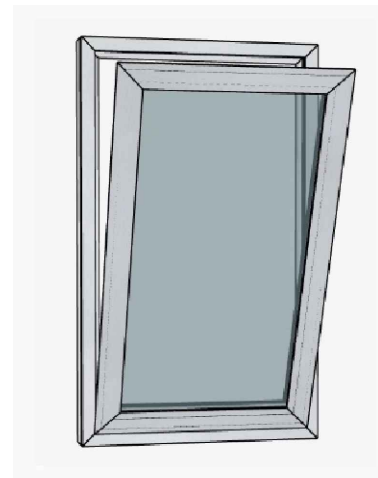
THERMALLY BROKEN OPERABLE WINDOW



AWNING
BOTTOM HUNG OPEN OUT



CASEMENT
SIDE HUNG OPEN OUT/IN



HOPPER
BOTTOM HUNG OPEN IN

DETAILS AND SPECIFICATION

- INTERIOR GLAZING
- EPDM SEALED GASKETS
- CAN BE INTEGRATED WITH DIFFERENT ENERFREES PRODUCTS PROFILES SUCH AS 1850 WINDOW SECTION , 5250 CW, 5200 CW, AND 4300 FLUSH GLAZING
- GLASS CAN BE DOUBLE OR TRIPLE GLAZING
- HIGH PERFORMANCE THERMAL BARRIER TO WITHSTAND EXTREME WEATHER TEMPERATURE
- ANODIZED AND POWDER COATING FINISH OPTION
- SLIM PROFILE FOR WIDER VISIBILITY



ENERFREES™
Window & Wall Systems

Manufacturer of High-performance Aluminum Systems
Address: 6 Denison St., Markham, Ontario, L3R 1B6
Tel: 1-800-678-1118
www.enerfrees.com

905-604-5118
info@enerfrees.com

V2023.10

THERMALLY BROKEN OPERABLE WINDOW

TABLE OF CONTENTS

- 2100 Open Out + 1850 Window Wall ----- 2100.10.185
- 2100 Open Out + 4300 Storefront ----- 2100.10.430
- 2100 Open Out + 5200 Curtain Wall ----- 2100.10.520
- 2100 Open Out + 5250 Curtain Wall ----- 2100.10.525
- 2100 Open In + 1850 Window Wall ----- 2100.20.185
- 2100 Open In + 4300 Storefront ----- 2100.20.430
- 2100 Open In + 5200 Curtain Wall ----- 2100.20.520
- 2100 Open In + 5250 Curtain Wall ----- 2100.20.525
- U-FACTOR TABLE ----- 2100.30.10



ENERFREES™
Window & Wall Systems

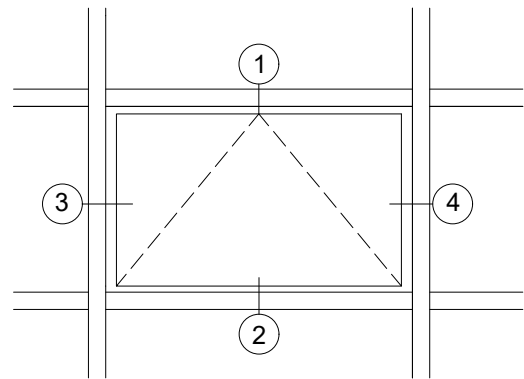
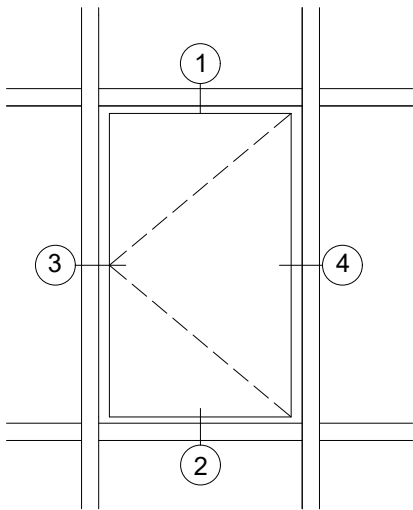
Manufacturer of High-performance Aluminum Systems
Address: 6 Denison St., Markham, Ontario, L3R 1B6
Tel: 1-800-678-1118 905-604-5118
www.enerfrees.com info@enerfrees.com

V2023.10

2100 PROJECT WINDOW OPEN OUT

2100.10.185.01
1850 WINDOW WALL INTEGRATION

2100 Project Window
(Side Hung Open Out and Top Hung Open Out)
+ 4300 Storefront Framing



2100 Project Window can be integrated with 1850 Window Wall (Double and Triple Glazing) Flat Front, 1" (25.4mm) or 2" (50.8mm) Extension framing profiles. 2100 profile series is manufactured to fit in with 1850 framing for an easy install.



ENERFREES™
Window & Wall Systems

Manufacturer of High-performance Aluminum Systems
Address: 6 Denison St., Markham, Ontario, L3R 1B6
Tel: 1-800-678-1118 905-604-5118
www.enerfrees.com info@enerfrees.com

V2023.10

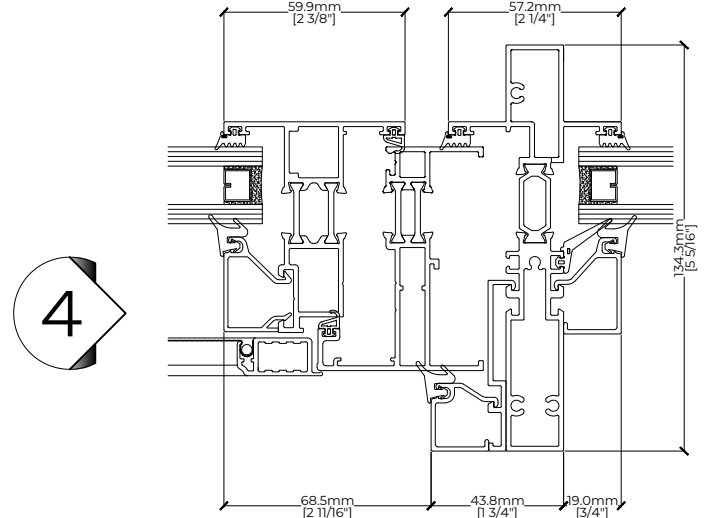
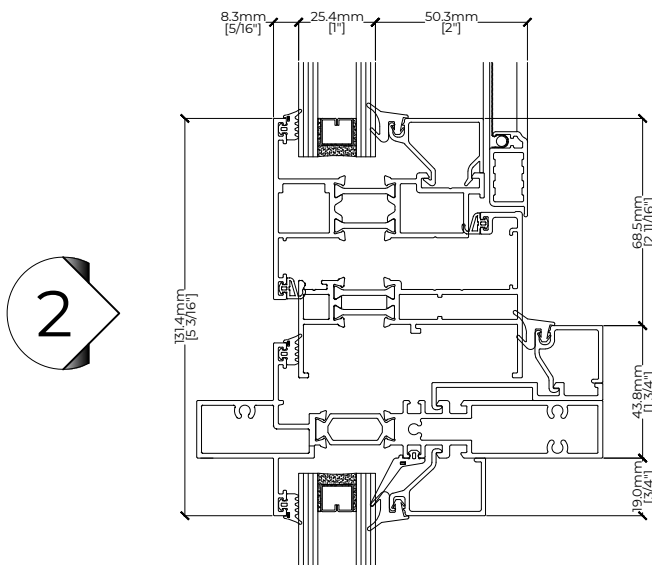
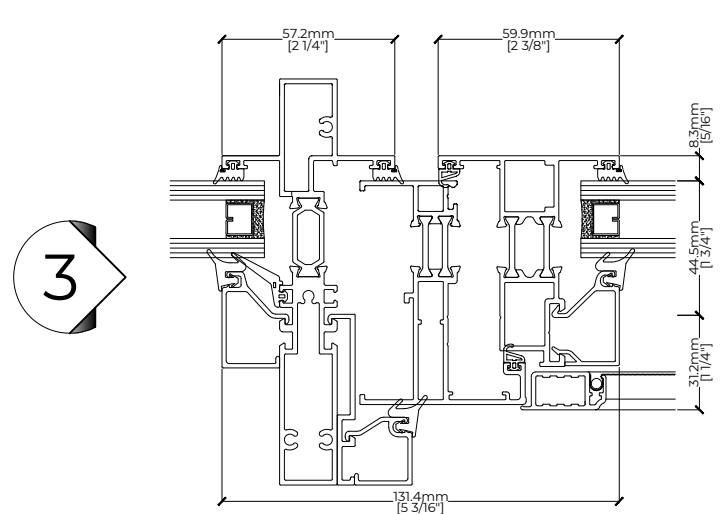
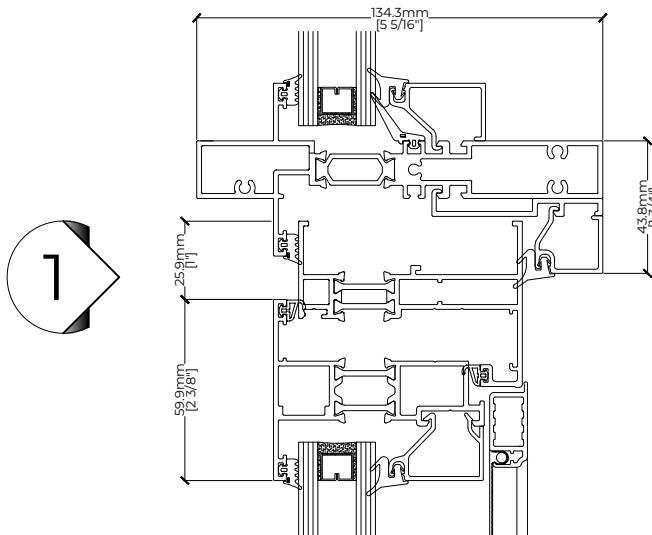
2100 PROJECT WINDOW OPEN OUT

2100.10.185.01

1850 WINDOW WALL INTEGRATION

Double Glazed

2100 Project Window
(Side Hung Open Out and Top Hung Open Out)
+ 1850 Window Wall 1" Extension



ENERFREES™
Window & Wall Systems

Manufacturer of High-performance Aluminum Systems
Address: 6 Denison St., Markham, Ontario, L3R 1B6
Tel: 1-800-678-1118 905-604-5118
www.enerfrees.com info@enerfrees.com

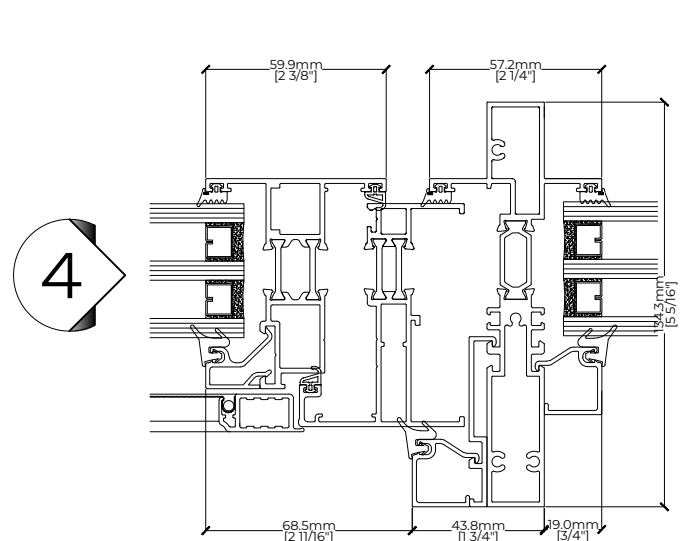
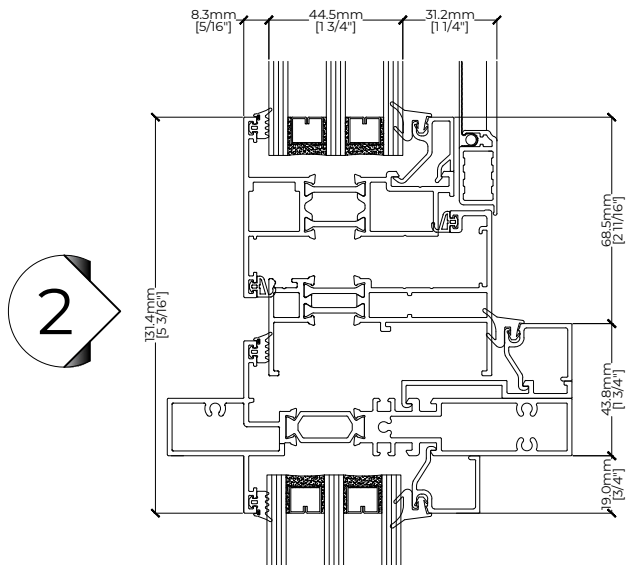
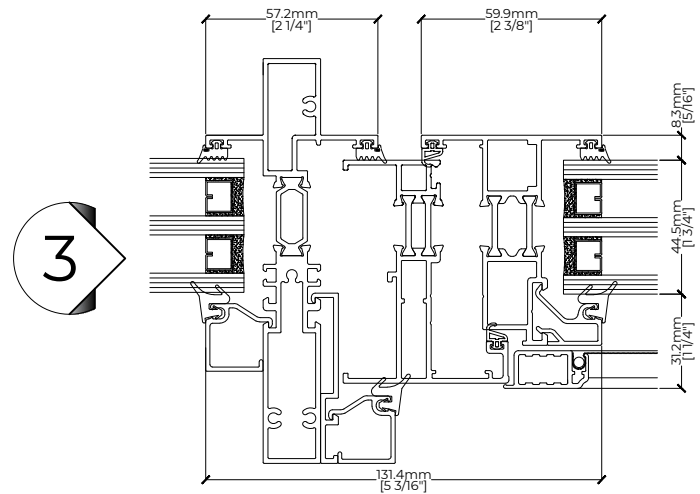
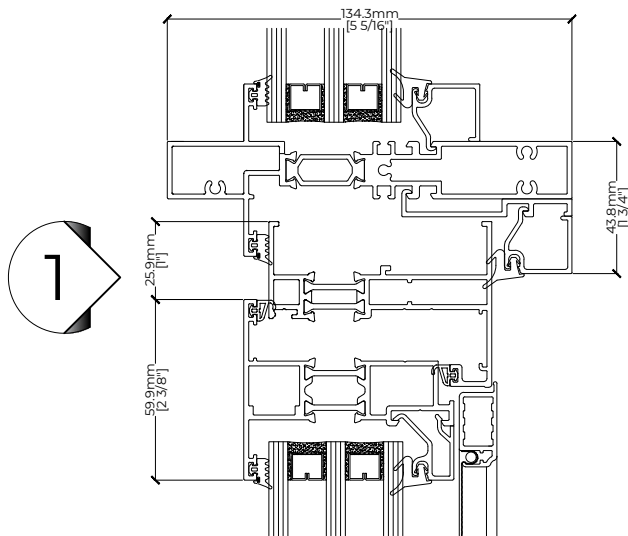
V2023.10

2100 PROJECT WINDOW OPEN OUT

2100.10.185.03
1850 FRAMING INTEGRATION

Triple Glazed

2100 Project Window
(Side Hung Open Out and Top Hung Open Out)
+ 1850 Window Wall 1" Extension



ENERFREES™
Window & Wall Systems

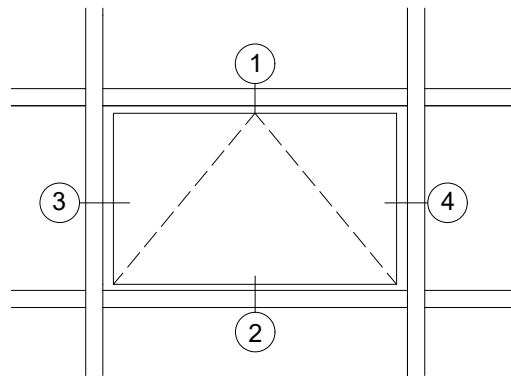
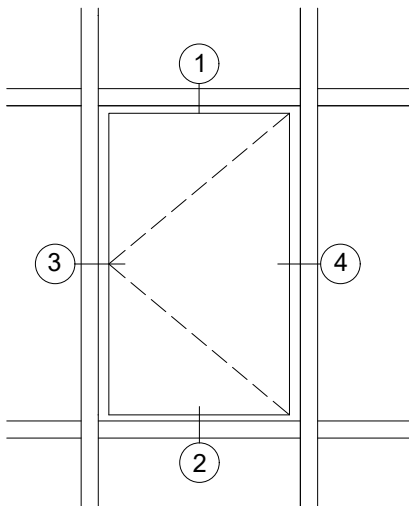
Manufacturer of High-performance Aluminum Systems
Address: 6 Denison St., Markham, Ontario, L3R 1B6
Tel: 1-800-678-1118 905-604-5118
www.enerfrees.com info@enerfrees.com

V2023.10

2100 PROJECT WINDOW OPEN OUT

2100.10.430.01
4300 STOREFRONT INTEGRATION

2100 Project Window
(Side Hung Open Out and Top Hung Open Out)
+ 4300 Storefront Framing



2100 Project Window can be integrated with 4300 Storefront Framing Double Glazing profiles. 2100 profile series is manufactured to fit in with 4300 Storefront framing for an easy install.



ENERFREES™
Window & Wall Systems

Manufacturer of High-performance Aluminum Systems
Address: 6 Denison St., Markham, Ontario, L3R 1B6
Tel: 1-800-678-1118 905-604-5118
www.enerfrees.com info@enerfrees.com

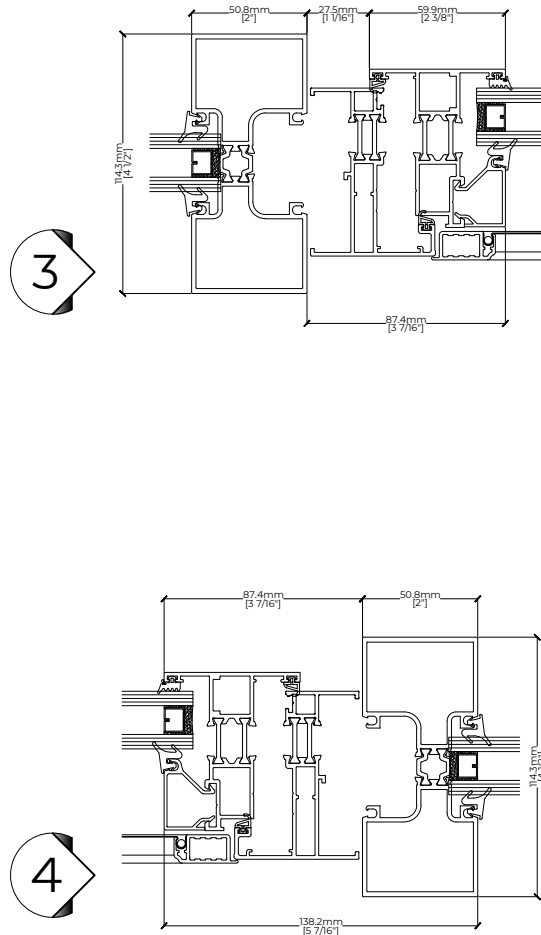
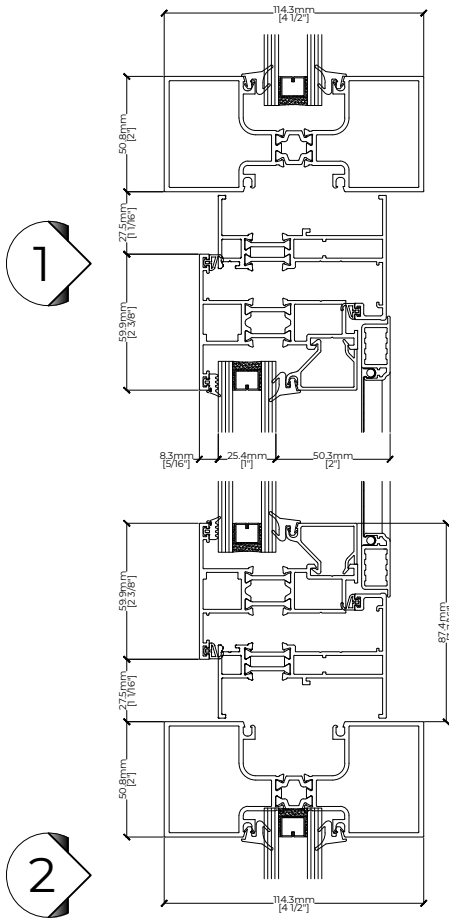
V2023.10

2100 PROJECT WINDOW OPEN OUT

2100.10.430.02
4300 STOREFRONT INTEGRATION

Double Glazed

2100 Project Window
(Side Hung Open Out and Top Hung Open Out)
+ 4300 Storefront Framing



ENERFREES™
Window & Wall Systems

Manufacturer of High-performance Aluminum Systems
Address: 6 Denison St., Markham, Ontario, L3R 1B6
Tel: 1-800-678-1118
www.enerfrees.com

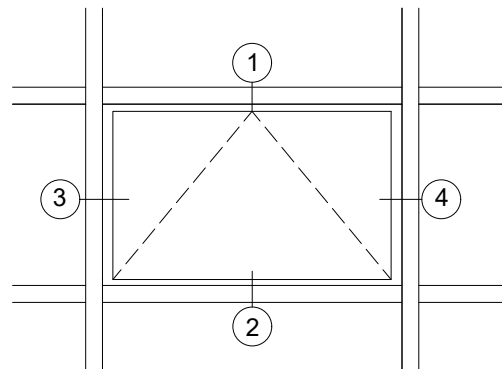
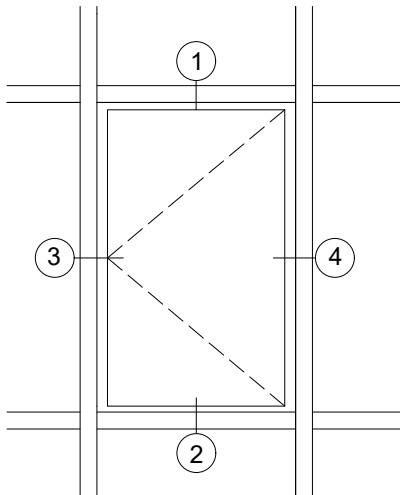
905-604-5118
info@enerfrees.com

V2023.10

2100 PROJECT WINDOW OPEN OUT

2100.10.520.01
5200 CURTAIN WALL INTEGRATION

2100 Project Window
(Side Hung Open Out and Top Hung Open Out)
+ 5200 Curtain Wall



ENERFREES™
Window & Wall Systems

Manufacturer of High-performance Aluminum Systems
Address: 6 Denison St., Markham, Ontario, L3R 1B6
Tel: 1-800-678-1118 905-604-5118
www.enerfrees.com info@enerfrees.com

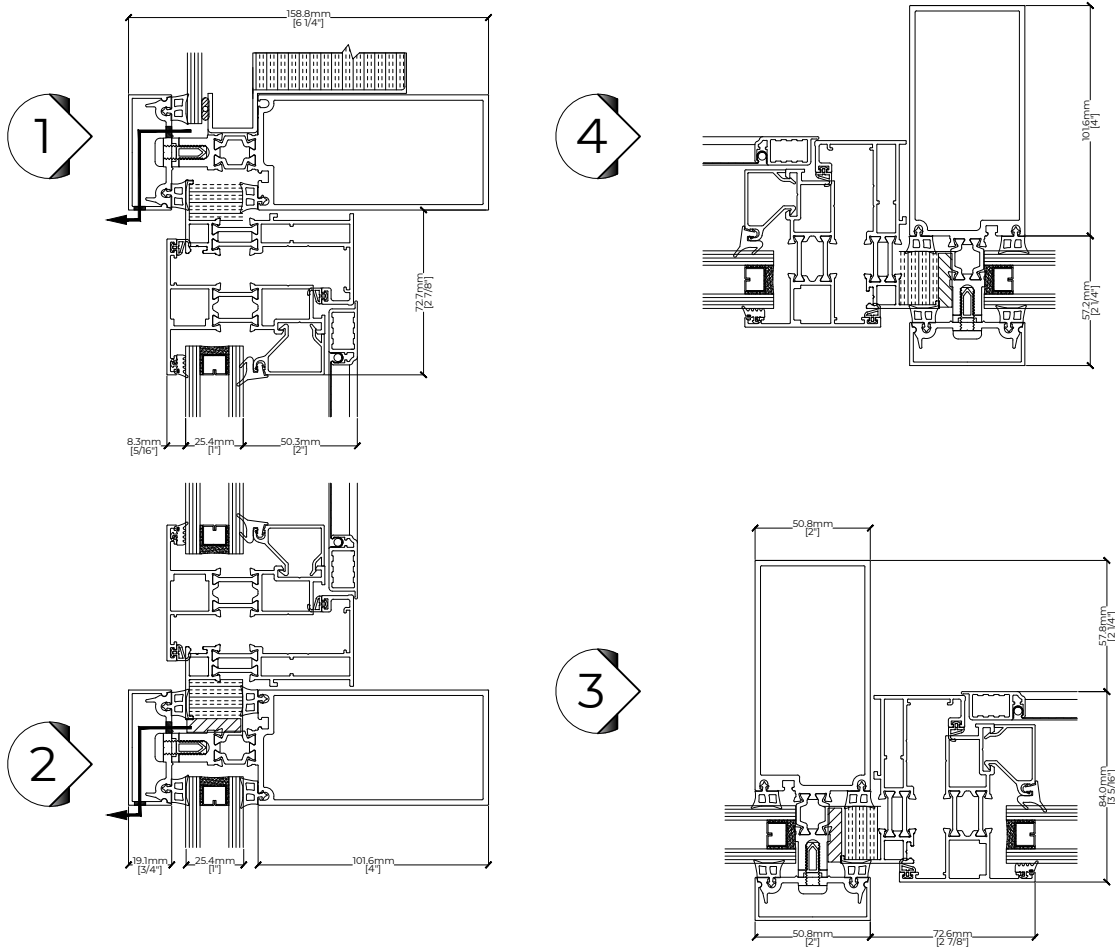
V2023.10

2100 PROJECT WINDOW OPEN OUT

2100.10.520.02
5200 CURTAIN WALL INTEGRATION

Double Glazed

2100 Project Window
(Side Hung Open Out and Top Hung Open Out)
+ 5200 Curtain Wall



ENERFREES™
Window & Wall Systems

Manufacturer of High-performance Aluminum Systems
Address: 6 Denison St., Markham, Ontario, L3R 1B6
Tel: 1-800-678-1118 905-604-5118
www.enerfrees.com info@enerfrees.com

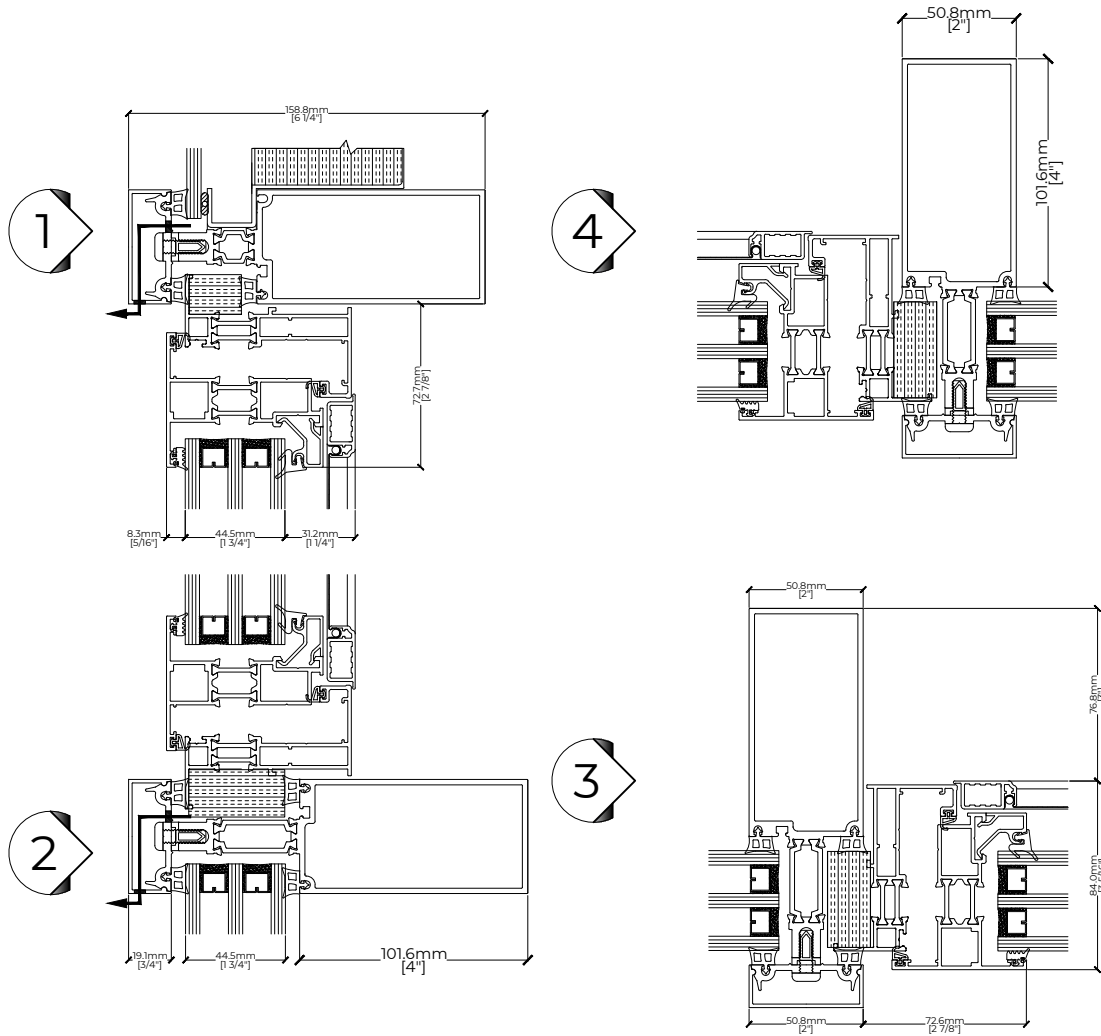
V2023.10

2100 PROJECT WINDOW OPEN OUT

2100.10.520.03
5200 CURTAIN WALL INTEGRATION

Triple Glazed

2100 Project Window
(Side Hung Open Out and Top Hung Open Out)
+ 5200 Curtain Wall



ENERFREES™
Window & Wall Systems

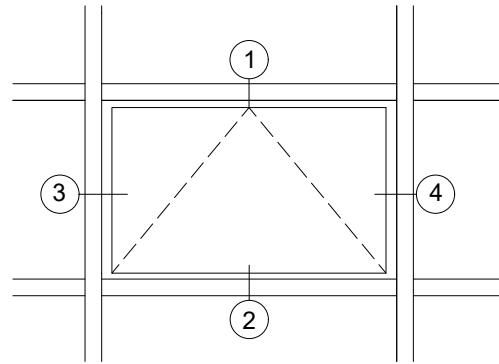
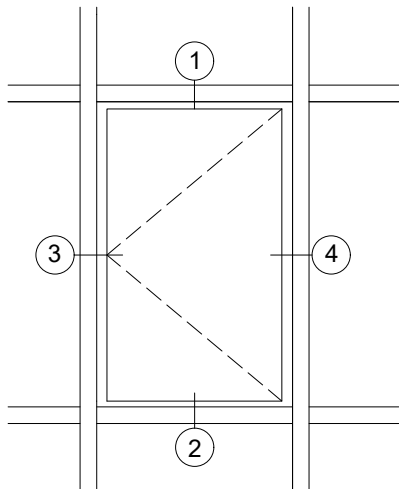
Manufacturer of High-performance Aluminum Systems
Address: 6 Denison St., Markham, Ontario, L3R 1B6
Tel: 1-800-678-1118 905-604-5118
www.enerfrees.com info@enerfrees.com

V2023.10

2100 PROJECT WINDOW OPEN OUT

2100.10.525.01
5250 CURTAIN WALL INTEGRATION

2100 Project Window
(Side Hung Open Out and Top Hung Open Out)
+ 5250 Curtain Wall



ENERFREES™
Window & Wall Systems

Manufacturer of High-performance Aluminum Systems
Address: 6 Denison St., Markham, Ontario, L3R 1B6
Tel: 1-800-678-1118 905-604-5118
www.enerfrees.com info@enerfrees.com

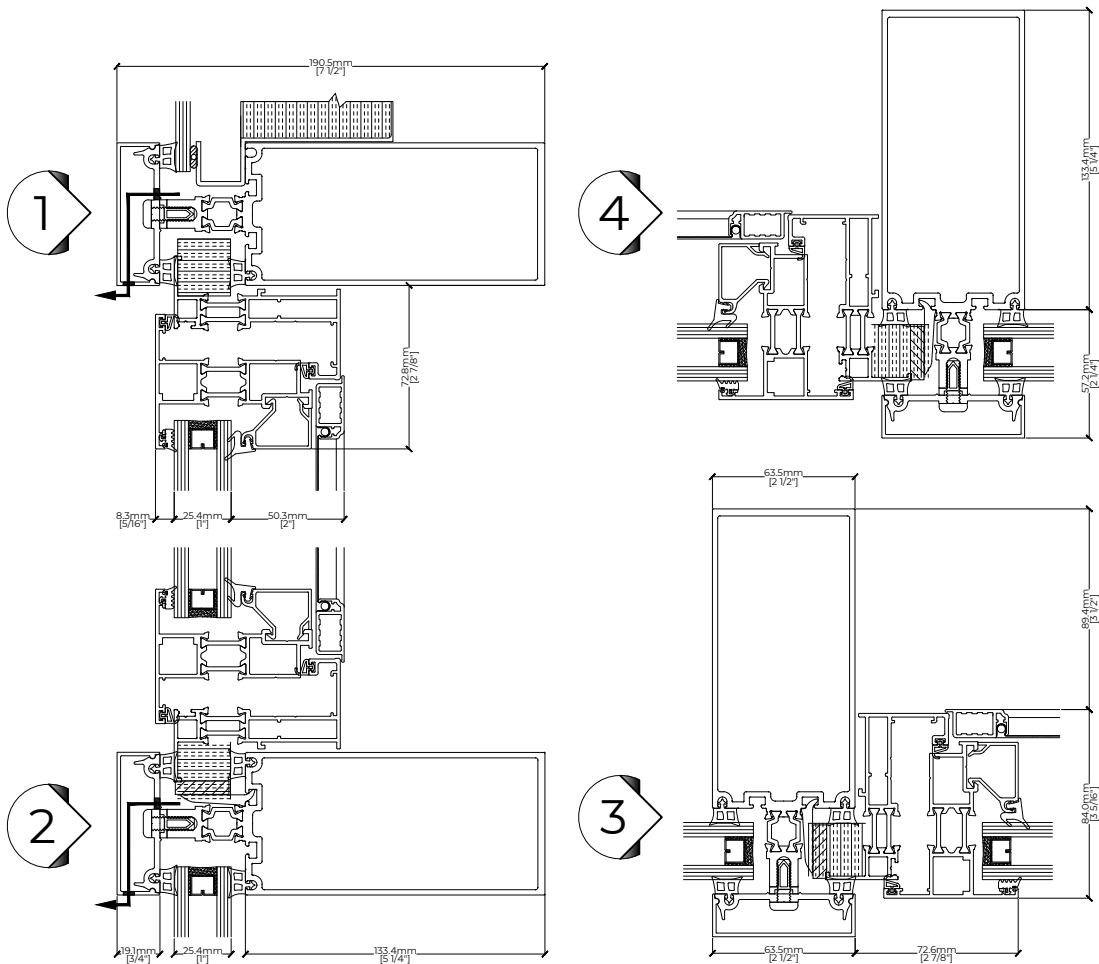
V2023.10

2100 PROJECT WINDOW OPEN OUT

2100.10.525.02
5200 CURTAIN WALL INTEGRATION

Double Glazed

2100 Project Window
(Side Hung Open Out and Top Hung Open Out)
+ 5250 Window Wall



ENERFREES™
Window & Wall Systems

Manufacturer of High-performance Aluminum Systems
Address: 6 Denison St., Markham, Ontario, L3R 1B6
Tel: 1-800-678-1118 905-604-5118
www.enerfrees.com info@enerfrees.com

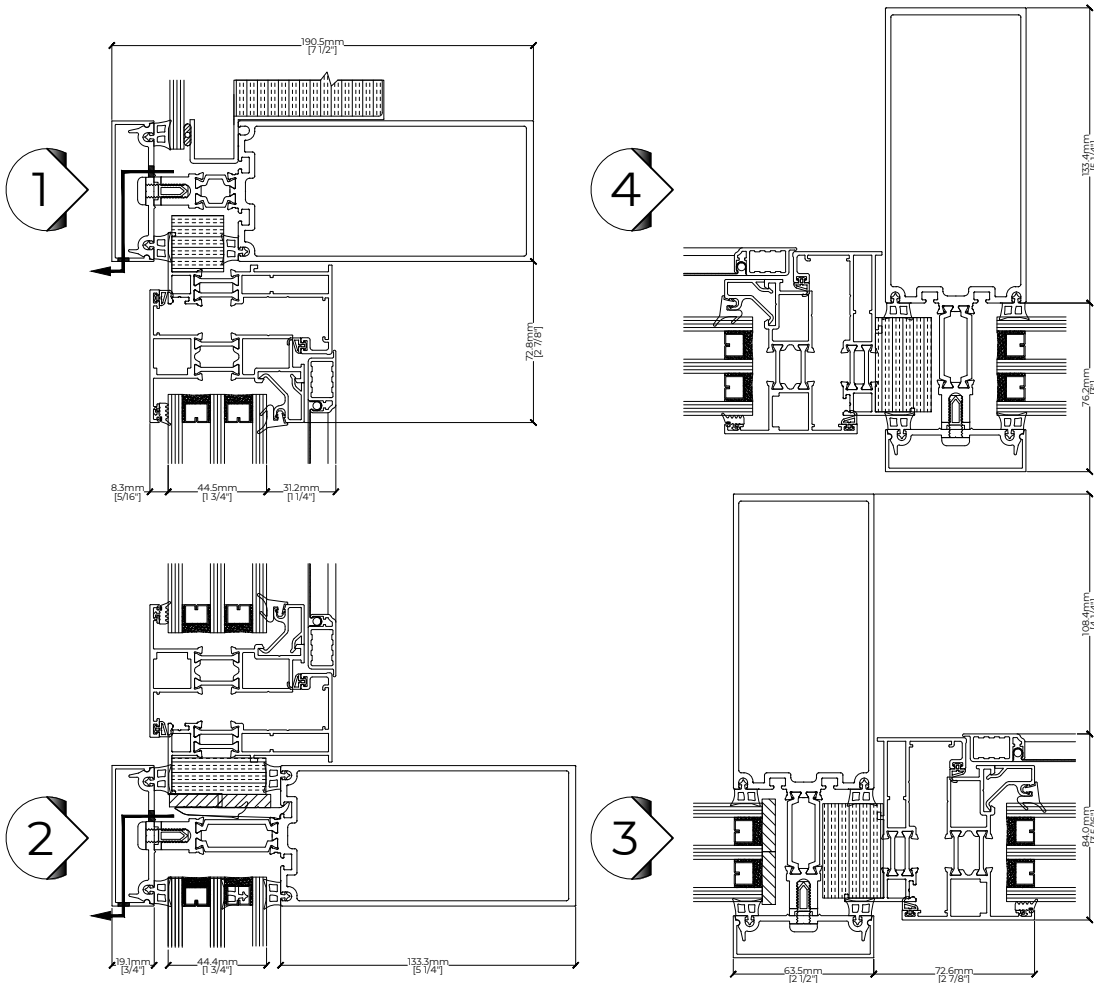
V2023.10

2100 PROJECT WINDOW OPEN OUT

2100.10.525.03
5250 CURTAIN WALL INTEGRATION

Triple Glazed

2100 Project Window
(Side Hung Open Out and Top Hung Open Out)
+ 5250 Window Wall



ENERFREES™
Window & Wall Systems

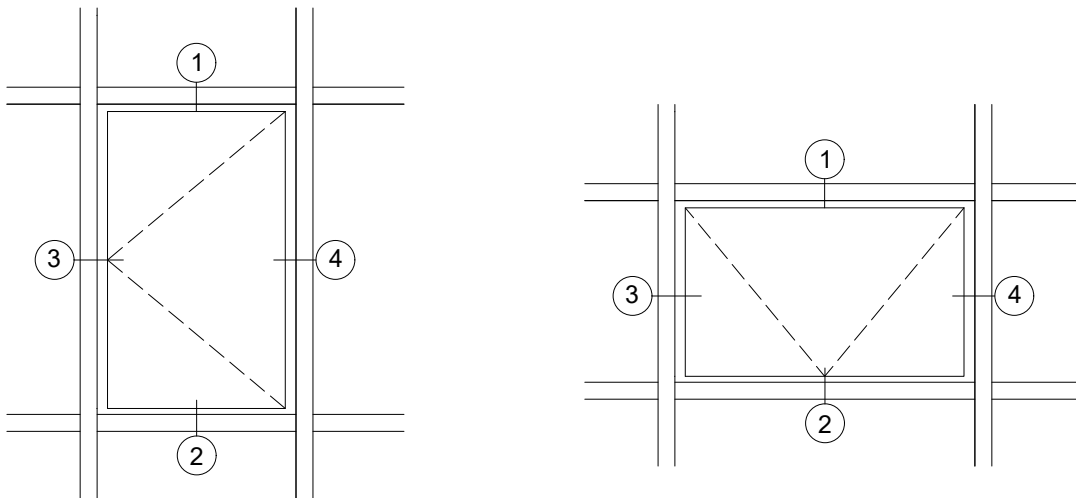
Manufacturer of High-performance Aluminum Systems
Address: 6 Denison St., Markham, Ontario, L3R 1B6
Tel: 1-800-678-1118 905-604-5118
www.enerfrees.com info@enerfrees.com

V2023.10

2100 PROJECT WINDOW OPEN IN

2100.20.185.01
1850 WINDOW WALL INTEGRATION

2100 Project Window
(Side Hung Open In and Bottom Hung Open In)
+ 1850 Window Wall



2100 Project Window can be integrated with 1850 Window Wall (Double and Triple Glazing) Flat Front, 1" (25.4mm) or 2" (50.8mm) Extension framing profiles. 2100 profile series is manufactured to fit in with 1850 framing for an easy install.



ENERFREES™
Window & Wall Systems

Manufacturer of High-performance Aluminum Systems
Address: 6 Denison St., Markham, Ontario, L3R 1B6
Tel: 1-800-678-1118 905-604-5118
www.enerfrees.com info@enerfrees.com

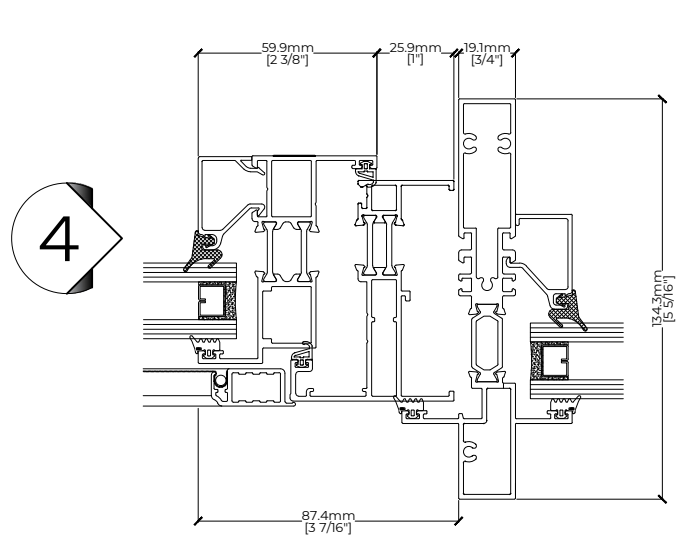
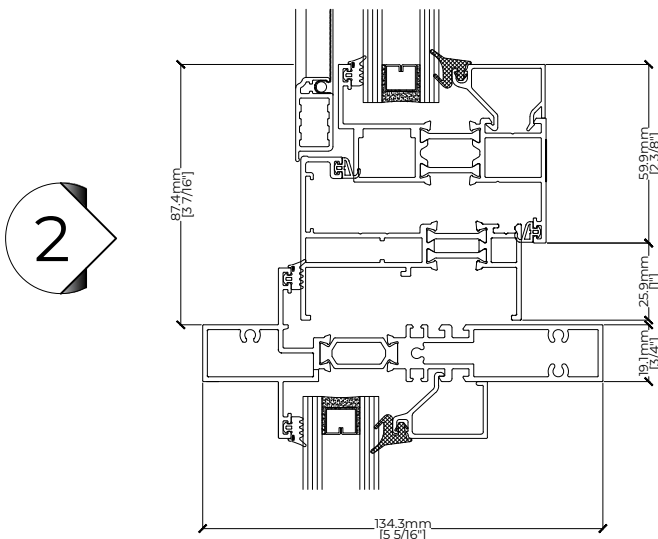
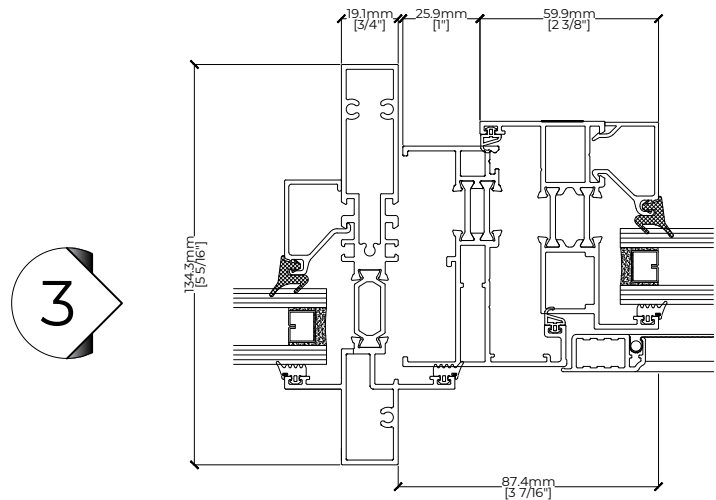
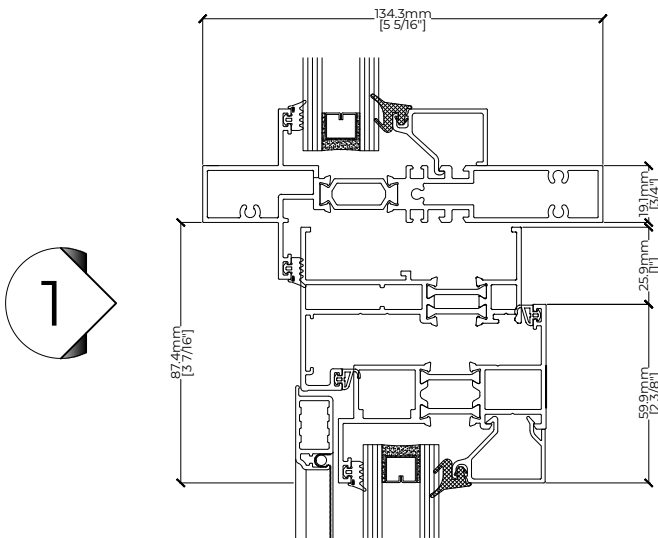
V2023.10

2100 PROJECT WINDOW OPEN IN

2100.20.185.02
1850 WINDOW WALL INTEGRATION

Double Glazed

2100 Project Window
(Side Hung Open In and Bottom Hung Open In)
+ 1850 Window Wall 1" Extension



ENERFREES™
Window & Wall Systems

Manufacturer of High-performance Aluminum Systems
Address: 6 Denison St., Markham, Ontario, L3R 1B6
Tel: 1-800-678-1118 905-604-5118
www.enerfrees.com info@enerfrees.com

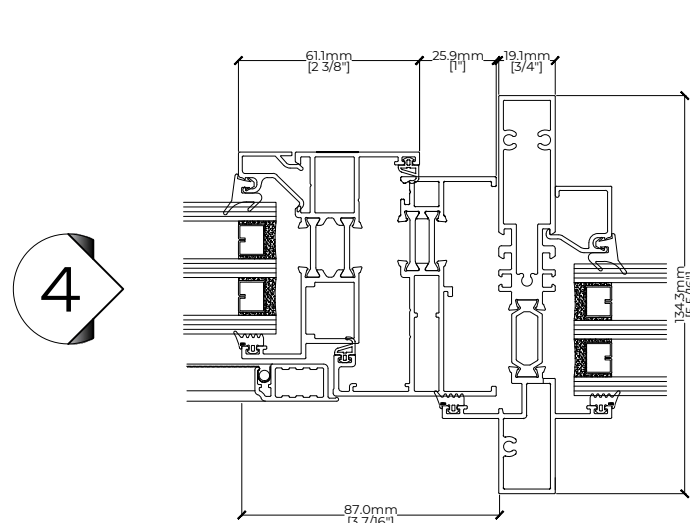
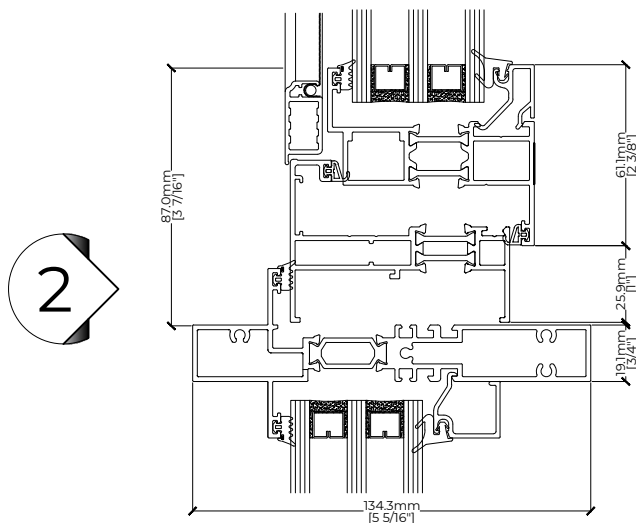
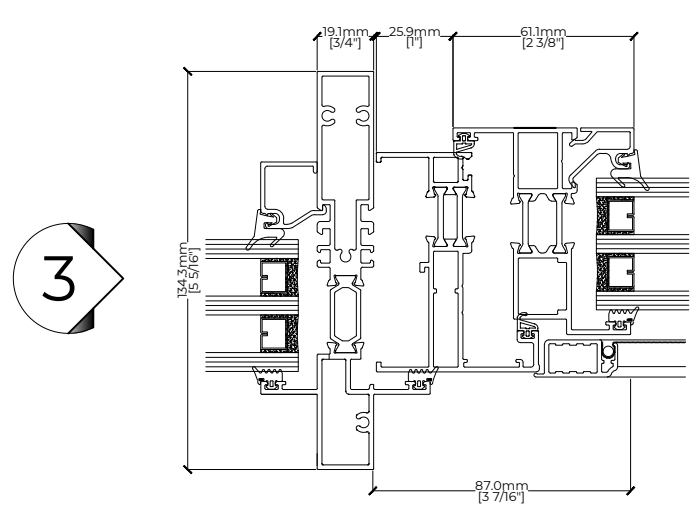
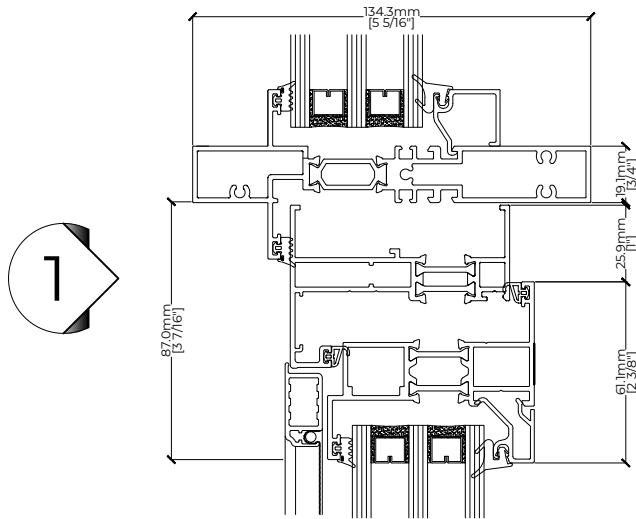
V2023.10

2100 PROJECT WINDOW OPEN IN

2100.20.185.03
1850 FRAMING INTEGRATION

Triple Glazed

2100 Project Window
(Side Hung Open In and Bottom Hung Open In)
+ 1850 Window Wall 1" Extension



ENERFREES™
Window & Wall Systems

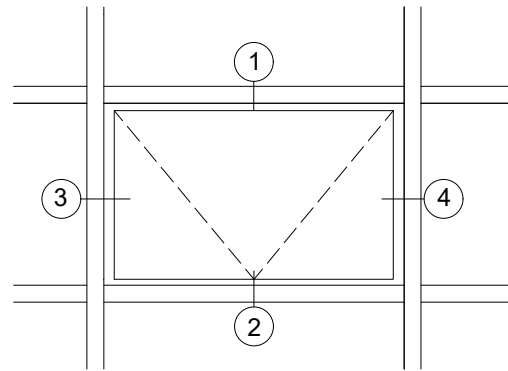
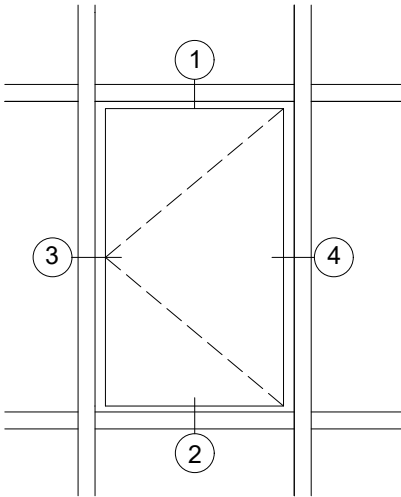
Manufacturer of High-performance Aluminum Systems
Address: 6 Denison St., Markham, Ontario, L3R 1B6
Tel: 1-800-678-1118 905-604-5118
www.enerfrees.com info@enerfrees.com

V2023.10

2100 PROJECT WINDOW OPEN IN

2100.20.430.01
4300 STOREFRONT INTEGRATION

2100 Project Window
(Side Hung Open In and Bottom Hung Open In)
+ 4300 Storefront Framing



2100 Project Window can be integrated with 4300 Storefront Framing Double Glazing profiles. 2100 profile series is manufactured to fit in with 4300 Storefront framing for an easy install.



ENERFREES™
Window & Wall Systems

Manufacturer of High-performance Aluminum Systems
Address: 6 Denison St., Markham, Ontario, L3R 1B6
Tel: 1-800-678-1118 905-604-5118
www.enerfrees.com info@enerfrees.com

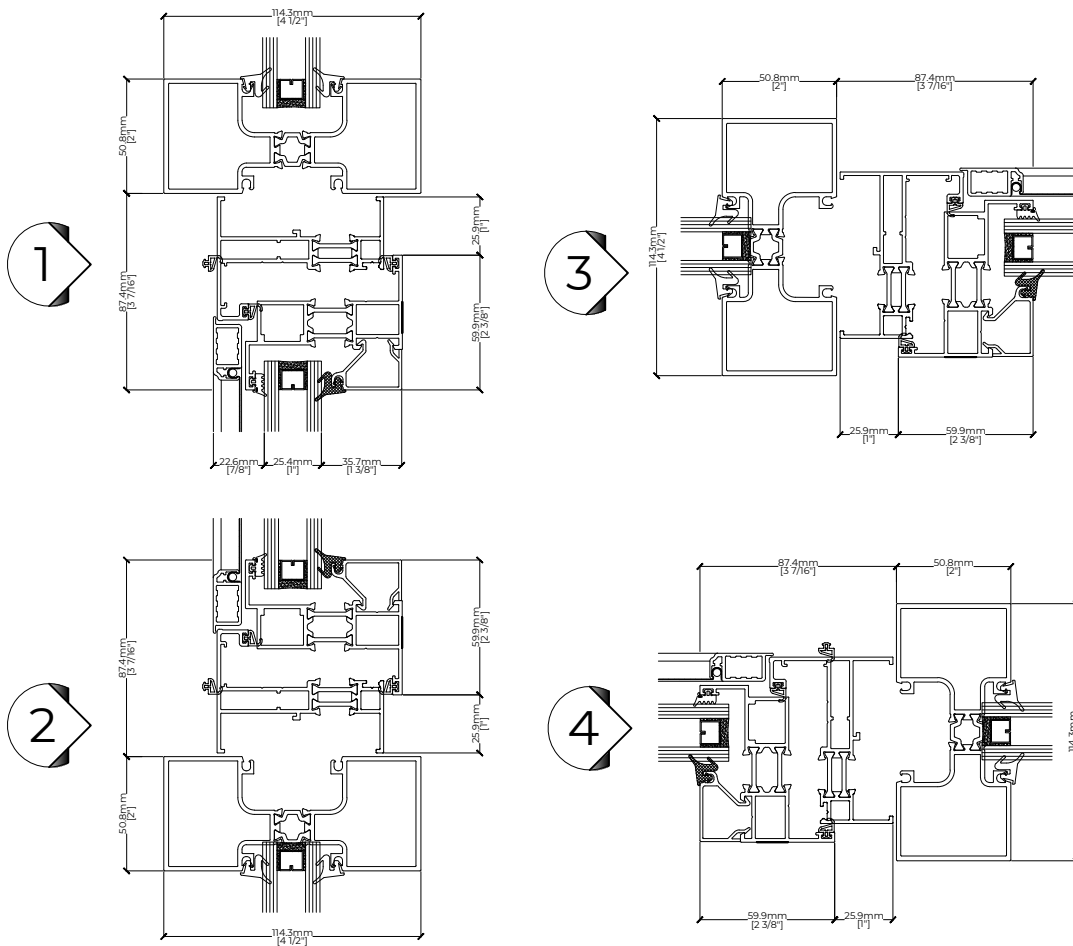
V2023.10

2100 PROJECT WINDOW OPEN IN

2100.20.430.02
4300 STOREFRONT INTEGRATION

Double Glazed

2100 Project Window
(Side Hung Open In and Bottom Hung Open In)
+ 4300 Storefront Framing



ENERFREES™
Window & Wall Systems

Manufacturer of High-performance Aluminum Systems
Address: 6 Denison St., Markham, Ontario, L3R 1B6
Tel: 1-800-678-1118
www.enerfrees.com

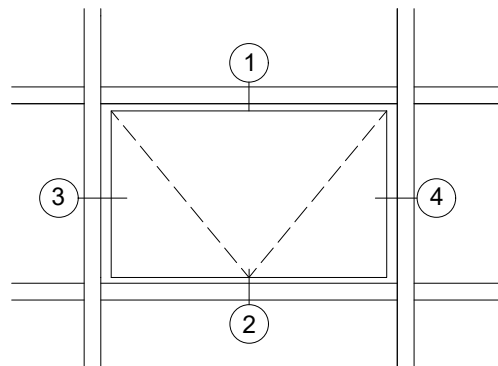
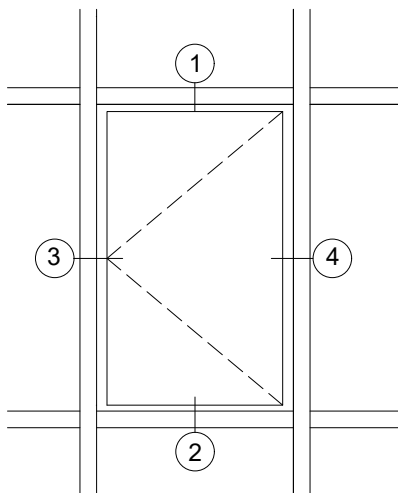
905-604-5118
info@enerfrees.com

V2023.10

2100 PROJECT WINDOW OPEN IN

2100.20.520.01
5200 CURTAIN WALL INTEGRATION

2100 Project Window
(Side Hung Open In and Bottom Hung Open In)
+ 5200 Curtain Wall



ENERFREES™
Window & Wall Systems

Manufacturer of High-performance Aluminum Systems
Address: 6 Denison St., Markham, Ontario, L3R 1B6
Tel: 1-800-678-1118 905-604-5118
www.enerfrees.com info@enerfrees.com

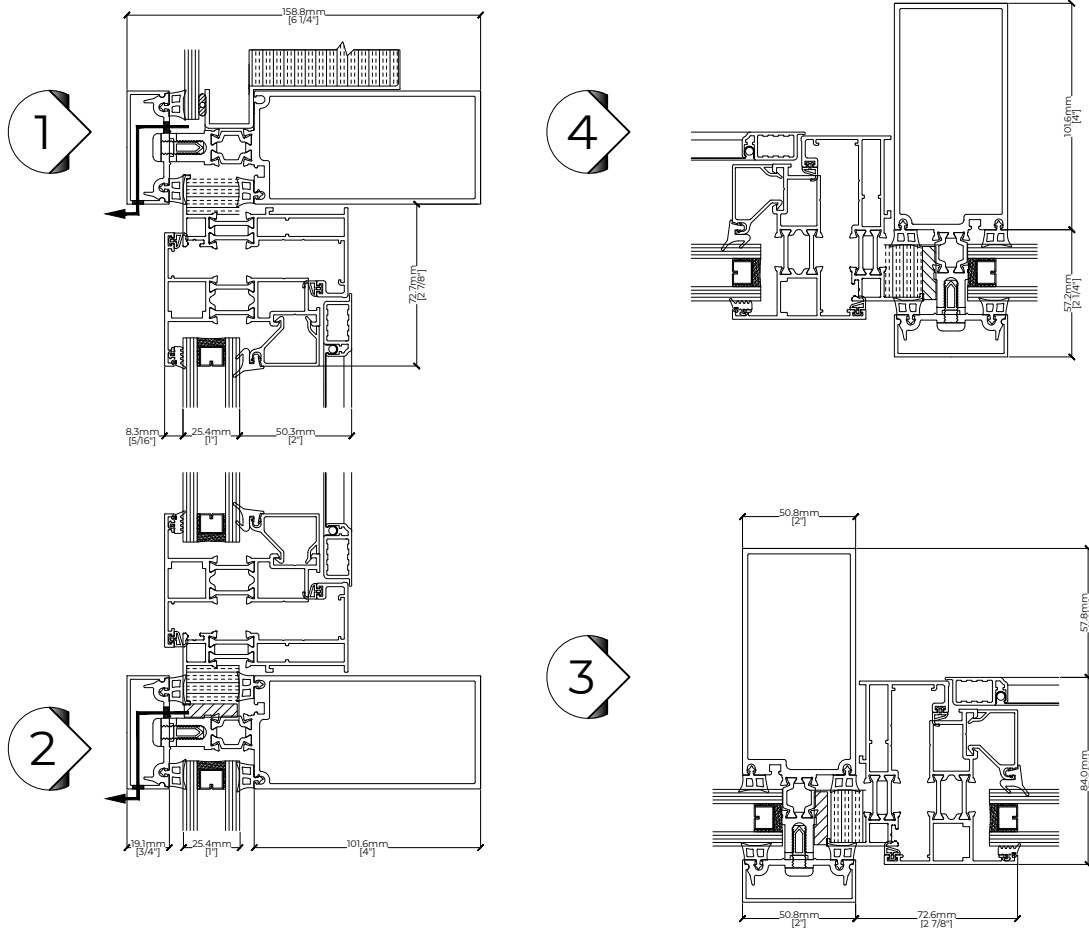
V2023.10

2100 PROJECT WINDOW OPEN IN

2100.20.520.02
5200 CURTAIN WALL INTEGRATION

Double Glazed

2100 Project Window
(Side Hung Open Out and Top Hung Open Out)
+ 5200 Curtain Wall



ENERFREES™
Window & Wall Systems

Manufacturer of High-performance Aluminum Systems
Address: 6 Denison St., Markham, Ontario, L3R 1B6
Tel: 1-800-678-1118 905-604-5118
www.enerfrees.com info@enerfrees.com

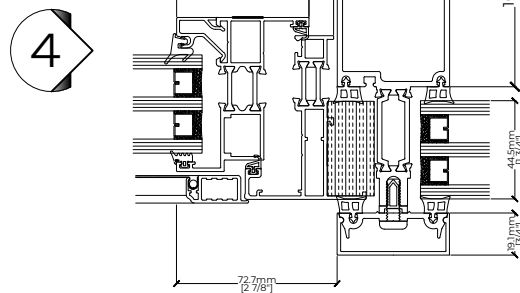
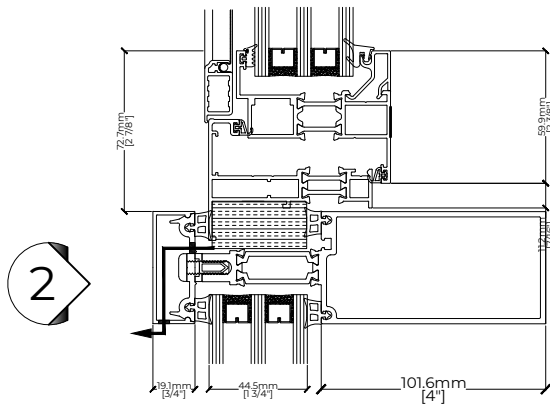
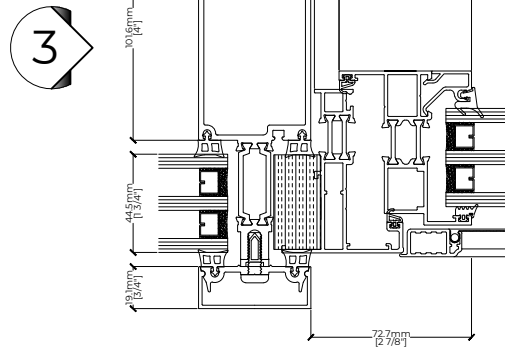
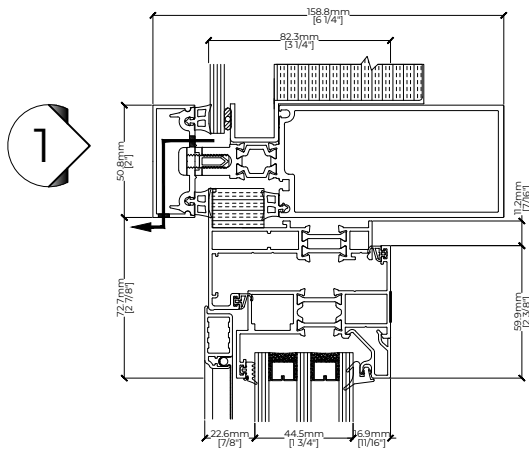
V2023.10

2100 PROJECT WINDOW OPEN IN

2100.20.520.03
5200 CURTAIN WALL INTEGRATION

Triple Glazed

2100 Project Window
(Side Hung Open In and Bottom Hung Open In)
+ 5200 Curtain Wall



ENERFREES™
Window & Wall Systems

Manufacturer of High-performance Aluminum Systems
Address: 6 Denison St., Markham, Ontario, L3R 1B6
Tel: 1-800-678-1118
www.enerfrees.com

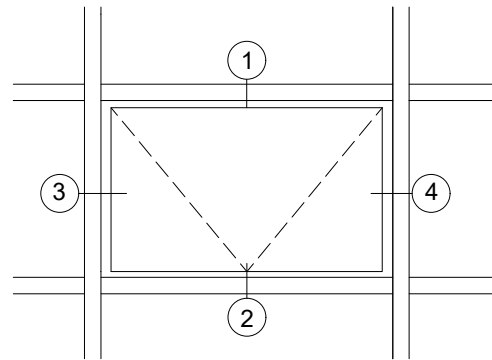
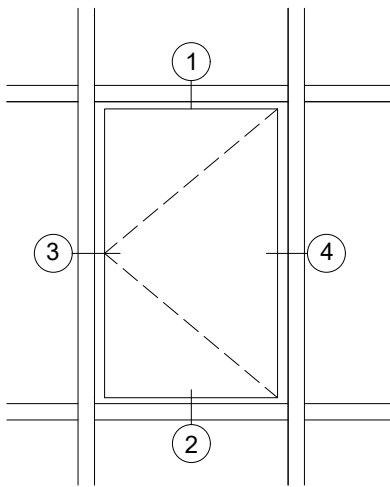
905-604-5118
info@enerfrees.com

V2023.10

2100 PROJECT WINDOW OPEN IN

2100.20.525.01
5250 CURTAIN WALL INTEGRATION

2100 Project Window
(Side Hung Open In and Bottom Hung Open In)
+ 5250 Curtain Wall



ENERFREES[™]
Window & Wall Systems

Manufacturer of High-performance Aluminum Systems
Address: 6 Denison St., Markham, Ontario, L3R 1B6
Tel: 1-800-678-1118 905-604-5118
www.enerfrees.com info@enerfrees.com

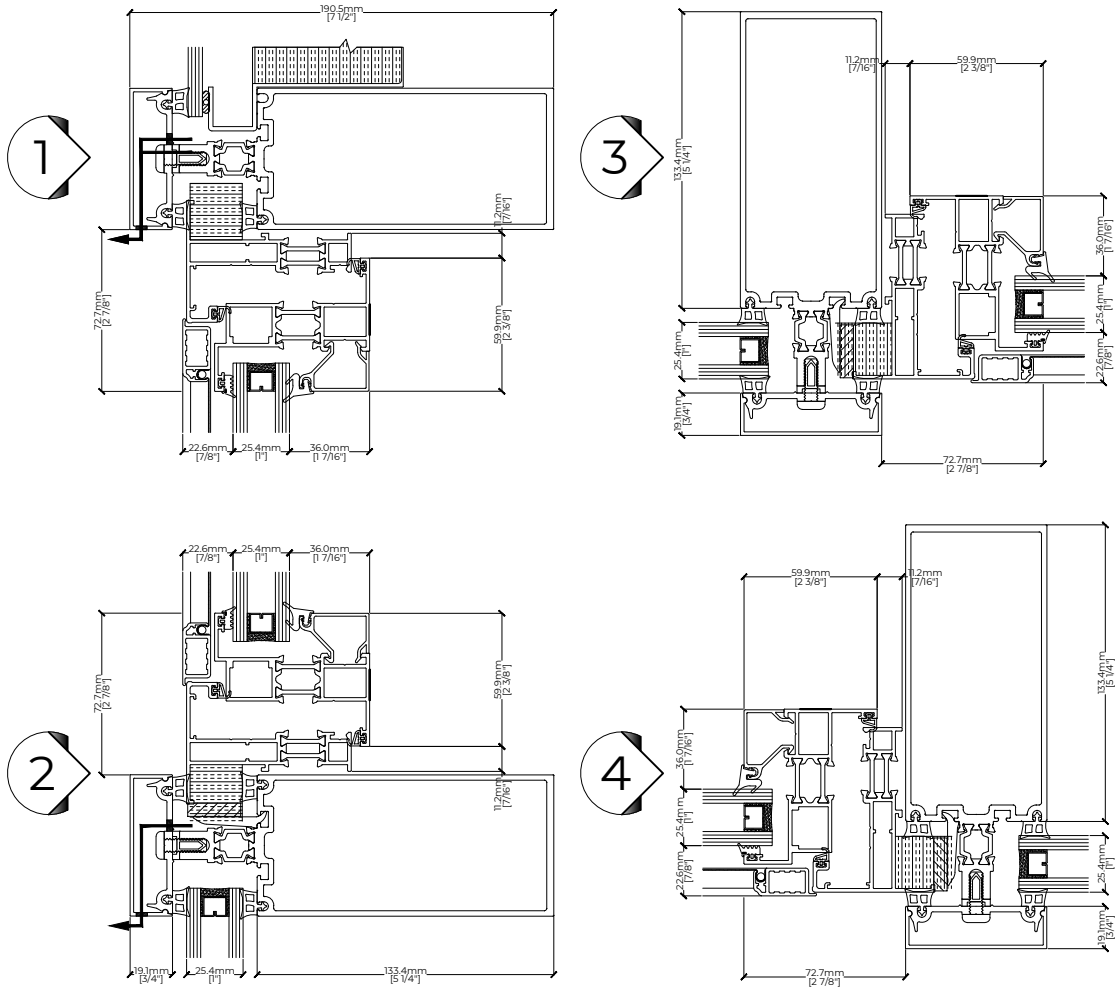
V2023.10

2100 PROJECT WINDOW OPEN IN

2100.20.525.02
5200 CURTAIN WALL INTEGRATION

Double Glazed

2100 Project Window
(Side Hung Open In and Bottom Hung Open In)
+ 5250 Window Wall



ENERFREES™
Window & Wall Systems

Manufacturer of High-performance Aluminum Systems
Address: 6 Denison St., Markham, Ontario, L3R 1B6
Tel: 1-800-678-1118
www.enerfrees.com

905-604-5118
info@enerfrees.com

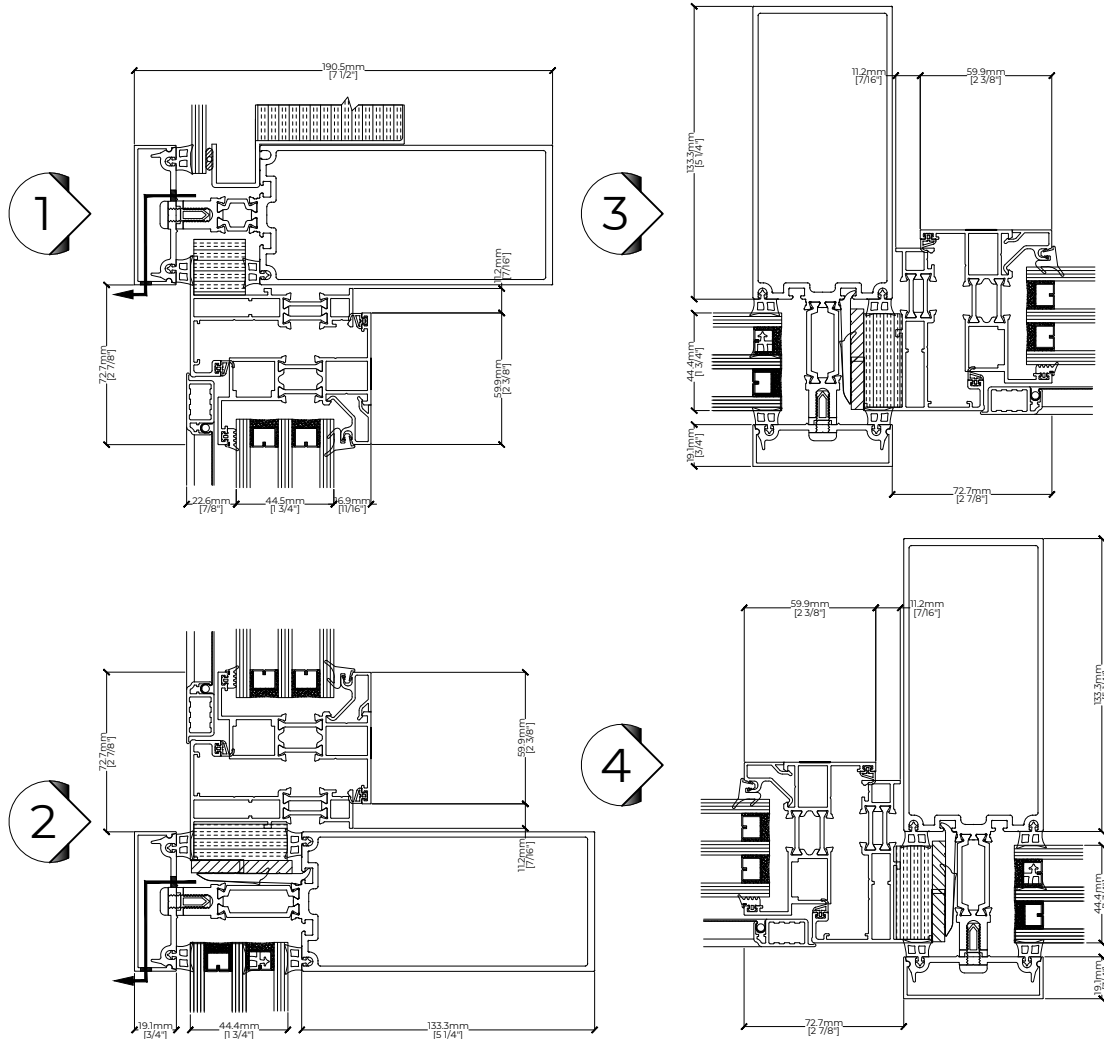
V2023.10

2100 PROJECT WINDOW OPEN IN

2100.20.525.03
5250 CURTAIN WALL INTEGRATION

Triple Glazed

2100 Project Window
(Side Hung Open In and Bottom Hung Open In)
+ 5250 Window Wall



ENERFREES™
Window & Wall Systems

Manufacturer of High-performance Aluminum Systems
Address: 6 Denison St., Markham, Ontario, L3R 1B6
Tel: 1-800-678-1118 905-604-5118
www.enerfrees.com info@enerfrees.com

V2023.10

2100 PROJECT WINDOW

2100.30.10.01
U-FACTOR TABLE-DOUBLE GALZED

2100 PROJECT WINDOW U-FACTOR-DOUBLE GLAZED

1. The overall product U-factors are determined in accordance with NFRC 100-2010.
2. The Center-of-Glazing U-factors are determined by the insulated glass unit (IGU) and provided for by glass manufacturer/supplier.
3. The simulated specimen size is based on NFRC 100-2010 Table 4-3 Product Type Projecting, which is 1500mm (59") width by 600mm (23 5/8").

METRIC UNITS

Center-of-Glazing U-factor (W/m ² -K)	Non-metal Spacer	Aluminum Spacer
	Product U-factor (W/m ² -K)	Product U-factor (W/m ² -K)
1.00	2.24	2.45
1.10	2.30	2.50
1.20	2.36	2.56
1.30	2.41	2.61
1.40	2.47	2.67
1.50	2.53	2.72
1.60	2.59	2.78
1.70	2.65	2.84
1.80	2.71	2.89
1.90	2.78	2.95
2.00	2.85	3.00
2.10	2.91	3.06
2.20	2.97	3.12
2.30	3.02	3.17
2.40	3.07	3.23
2.50	3.13	3.29

IMPERIAL UNITS

Center-of-Glazing U-factor (Btu/h-ft ² -F)	Non-metal Spacer	Aluminum Spacer
	Product U-factor (Btu/h-ft ² -F)	Product U-factor (Btu/h-ft ² -F)
0.18	0.40	0.43
0.20	0.41	0.44
0.22	0.42	0.46
0.24	0.43	0.47
0.26	0.44	0.48
0.28	0.46	0.49
0.30	0.47	0.50
0.32	0.48	0.51
0.34	0.49	0.52
0.36	0.51	0.53
0.38	0.52	0.54
0.40	0.53	0.56
0.42	0.54	0.57
0.44	0.55	0.58



ENERFREES™
Window & Wall Systems

Manufacturer of High-performance Aluminum Systems
Address: 6 Denison St., Markham, Ontario, L3R 1B6
Tel: 1-800-678-1118
www.enerfrees.com

905-604-5118
info@enerfrees.com

V2022.10

2100 PROJECT WINDOW

2100.30.10.02
U-FACTOR TABLE-TRIPLE GALZED

2100 PROJECT WINDOW U-FACTOR-TRIPLE GLAZED

1. The overall product U-factors are determined in accordance with NFRC 100-2010.
2. The Center-of-Glazing U-factors are determined by the insulated glass unit (IGU) and provided for by glass manufacturer/supplier.
3. The simulated specimen size is based on NFRC 100-2010 Table 4-3 Product Type Projecting, which is 1500mm (59") width by 600mm (23 5/8").

METRIC UNITS

Center-of-Glazing U-factor (W/m ² -K)	Non-metal Spacer	Aluminum Spacer
	Product U-factor (W/m ² -K)	Product U-factor (W/m ² -K)
0.50	1.79	1.99
0.60	1.85	2.05
0.70	1.90	2.10
0.80	1.96	2.16
0.90	2.02	2.22
1.00	2.09	2.28
1.10	2.25	2.33
1.20	2.49	2.39
1.30	2.37	2.45
1.40	2.20	2.50
1.50	2.04	2.56
1.60	2.06	2.62
1.70	2.12	2.67

IMPERIAL UNITS

Center-of-Glazing U-factor (Btu/h-ft ² -F)	Non-metal Spacer	Aluminum Spacer
	Product U-factor (Btu/h-ft ² -F)	Product U-factor (Btu/h-ft ² -F)
0.10	0.32	0.36
0.12	0.33	0.37
0.14	0.35	0.38
0.16	0.36	0.39
0.18	0.37	0.40
0.20	0.41	0.41
0.22	0.43	0.43
0.24	0.40	0.44
0.26	0.37	0.45
0.28	0.36	0.46
0.30	0.37	0.47



ENERFREES™
Window & Wall Systems

Manufacturer of High-performance Aluminum Systems
Address: 6 Denison St., Markham, Ontario, L3R 1B6
Tel: 1-800-678-1118 905-604-5118
www.enerfrees.com info@enerfrees.com

V2022.10