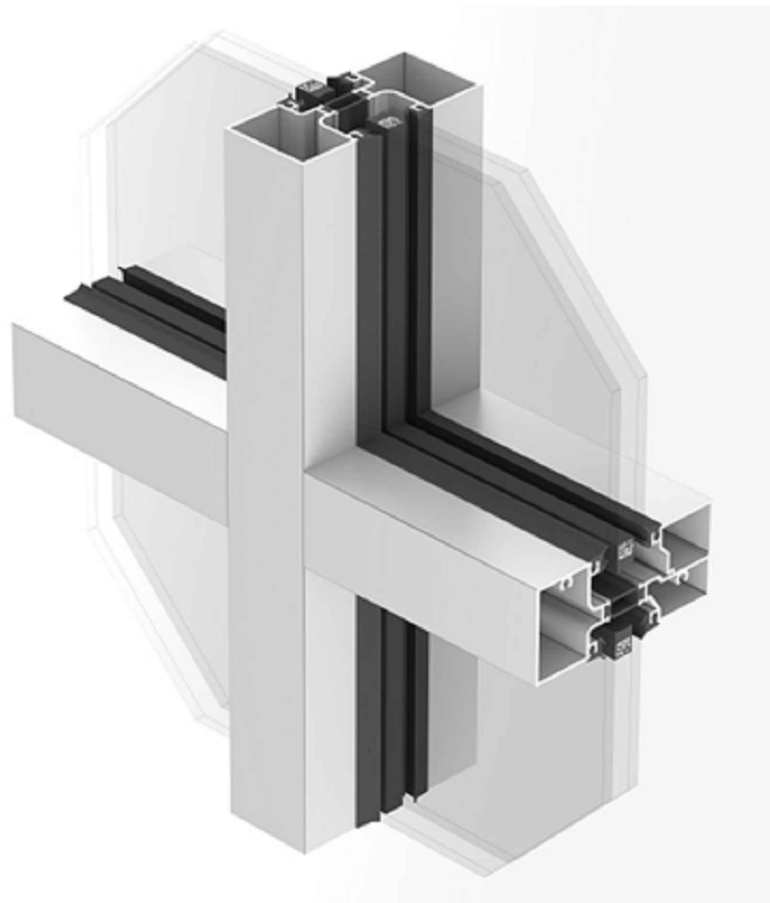


4300 STOREFRONT

Enerfrees Thermal Series 4300 – 50.8mm X 114.3mm (2"X4 ½") systems can be applied to commercial and industrial building setting.

- Glazing is external
- 4300 series can accept double glass with overall thickness of 25.4mm (1") and single glass with thickness of 6mm (¼ inches) or 8mm (⅝ inches)
- Designed with shear block, total conceal screw system



ENERFREES™
Window & Wall Systems

Manufacturer of High-performance Aluminum Systems
Address: 6 Denison St., Markham, Ontario, L3R 1B6
Tel: 1-800-678-1118 905-604-5118
www.enerfrees.com info@enerfrees.com

V2023.10

TABLE OF CONTENTS

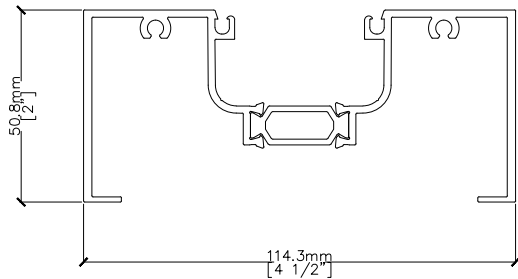
- Main Components ----- 4300.20.10
- Double Glazed Details ----- 4300.20.20
- Single Glazed Details ----- 4300.20.30
- Wind Load Chart ----- 4300.20.40
- U-Factor Tables ----- 4300.20.50



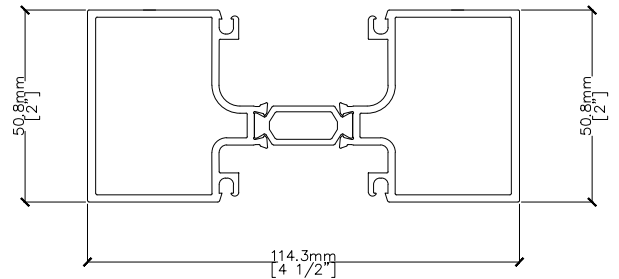
4300 STOREFRONT

4300.20.10
MAIN COMPONENTS

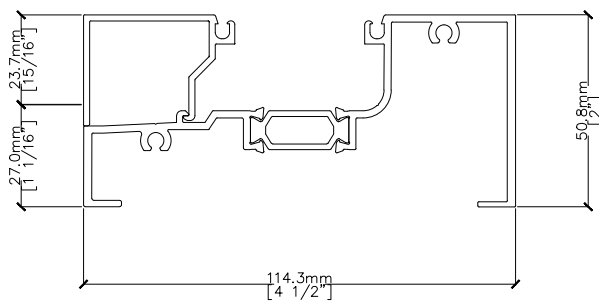
50.8MM (2") Thermally Broken, Rolled
PERIMETER



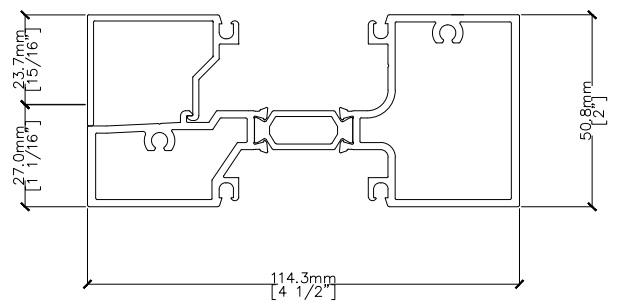
50.8MM (2") Thermally Broken, Rolled
VERTICAL MULLION



50.8MM (2") Thermally Broken, Rolled
SILL

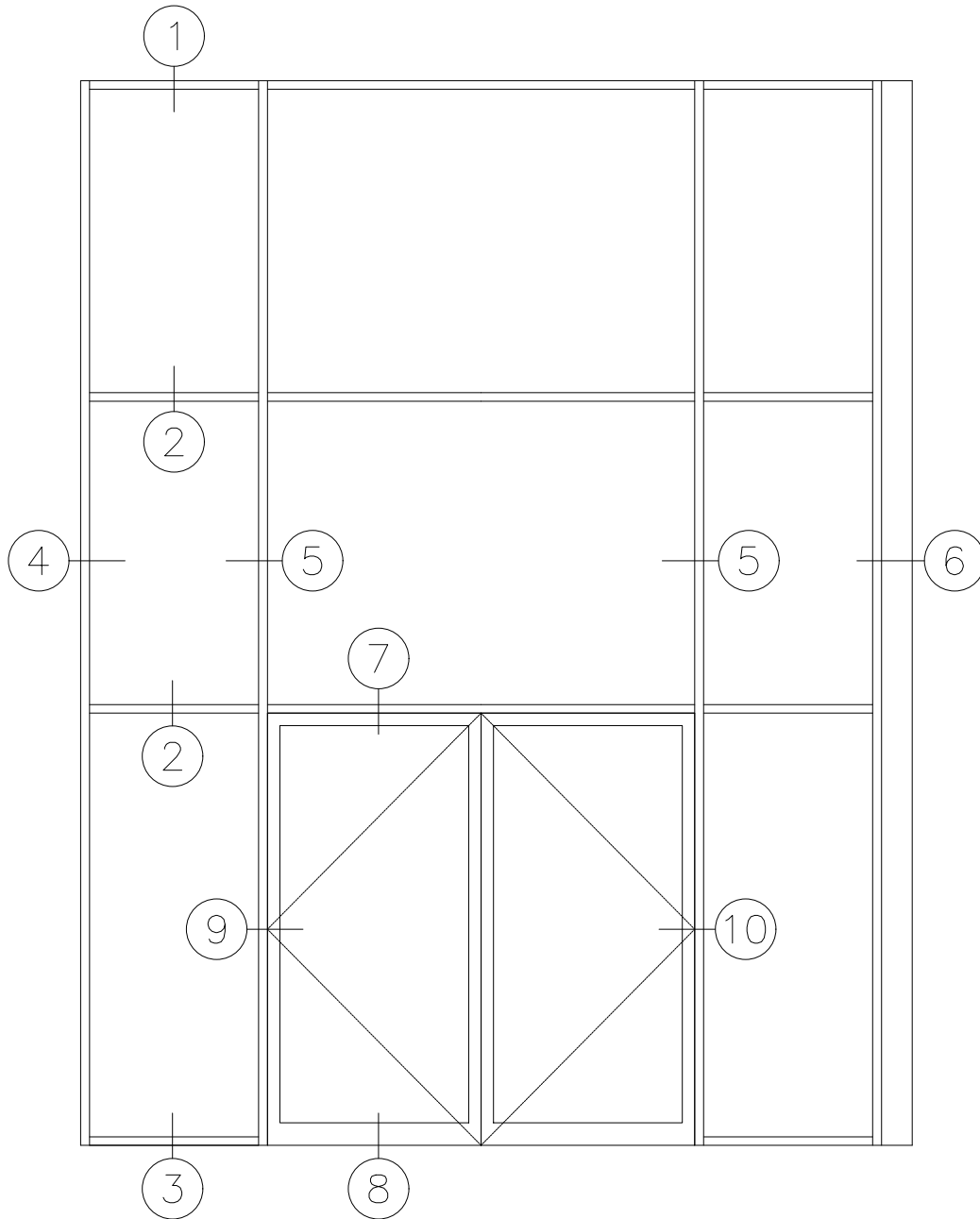


50.8MM (2") Thermally Broken, Rolled
HORIZONTAL MULLION



4300 STOREFRONT (Double Glazed)

4300.20.20.0
SECTION 114.3mm (4 1/2")



4300 Thermally Broken Storefront (Double Glazed) is widely used framing profile for commercial and industrial setting. It provides integration to wide selections of standard series or custom size operable windows and/or doors.



ENERFREES™
Window & Wall Systems

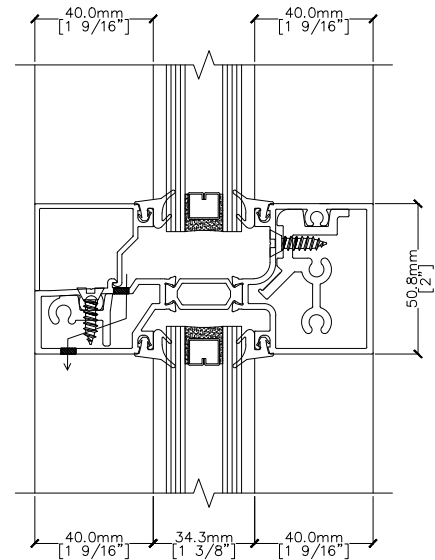
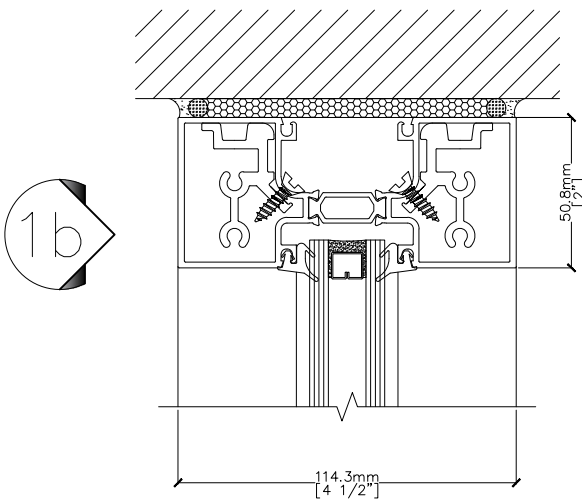
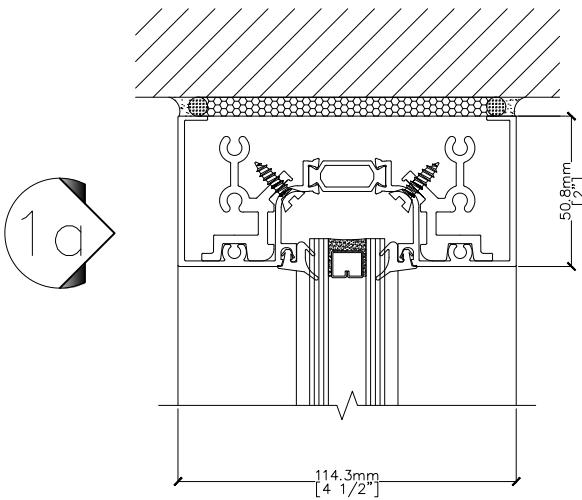
Manufacturer of High-performance Aluminum Systems
Address: 6 Denison St., Markham, Ontario, L3R 1B6
Tel: 1-800-678-1118
www.enerfrees.com

905-604-5118
info@enerfrees.com

V2023.10

4300 STOREFRONT (Double Glazed)

4300.20.20.1
SECTION 114.3 (4 1/2")



ENERFREES™
Window & Wall Systems

Manufacturer of High-performance Aluminum Systems
Address: 6 Denison St., Markham, Ontario, L3R 1B6
Tel: 1-800-678-1118
www.enerfrees.com

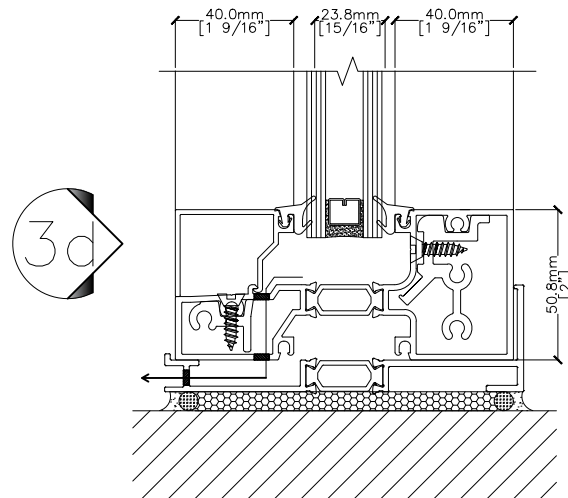
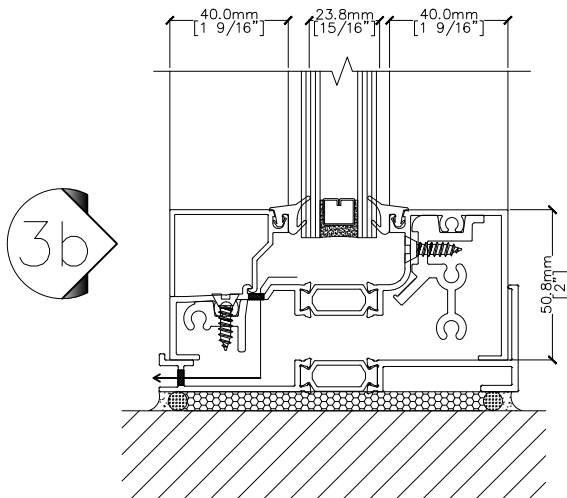
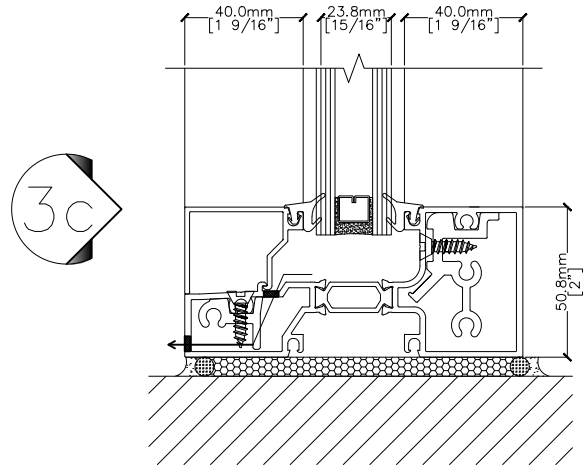
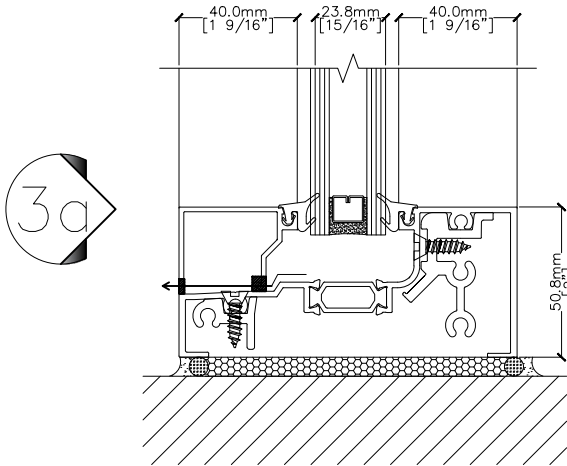
905-604-5118
info@enerfrees.com

V2023.10

4300 STOREFRONT (Double Glazed)

4300.20.20.2

SECTION 114.3mm (4 1/2")



ENERFREES™
Window & Wall Systems

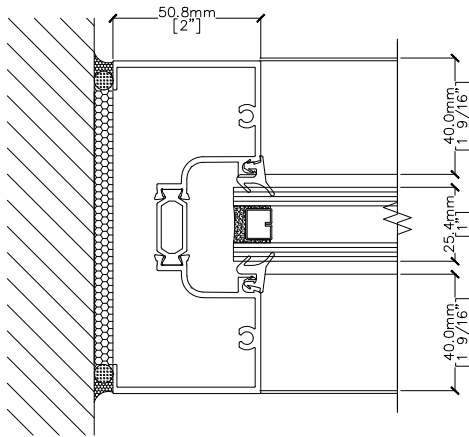
Manufacturer of High-performance Aluminum Systems
Address: 6 Denison St., Markham, Ontario, L3R 1B6
Tel: 1-800-678-1118 905-604-5118
www.enerfrees.com info@enerfrees.com

V2023.10

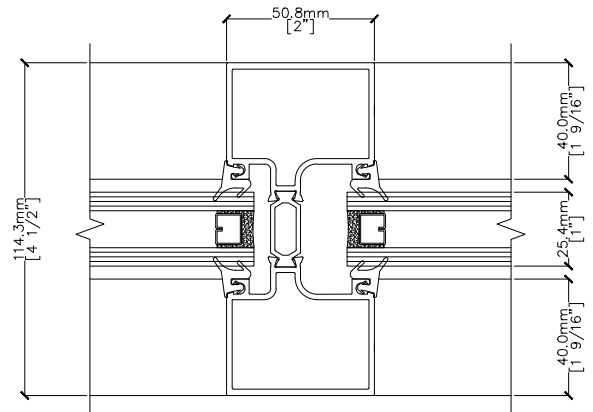
4300 STOREFRONT (Double Glazed)

4300.20.20.3
SECTION 114.3 (4 1/2")

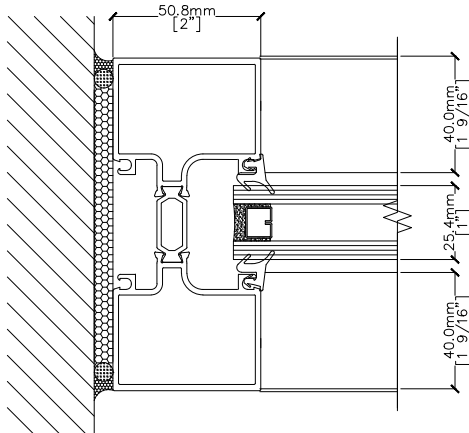
4a



5



4b



ENERFREES™
Window & Wall Systems

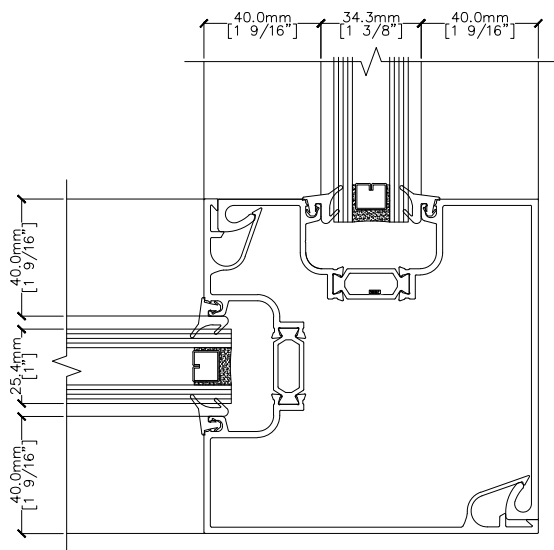
Manufacturer of High-performance Aluminum Systems
Address: 6 Denison St., Markham, Ontario, L3R 1B6
Tel: 1-800-678-1118
www.enerfrees.com

905-604-5118
info@enerfrees.com

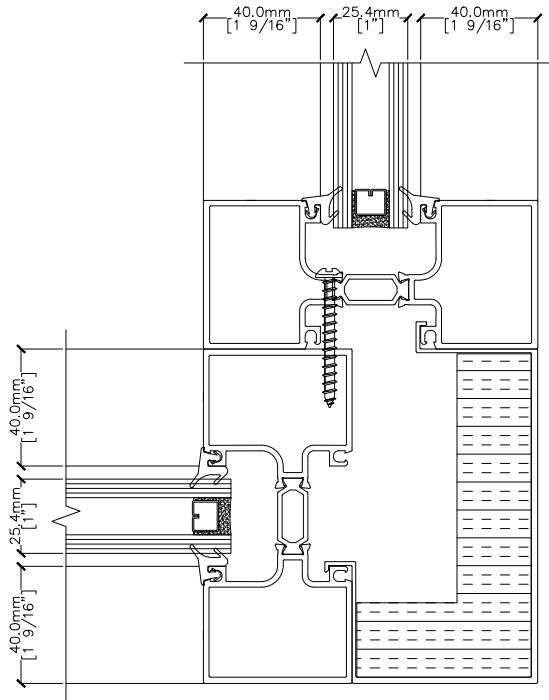
V2023.10

4300 STOREFRONT (Double Glazed)

4300.20.20.4
SECTION 114.3mm (4 1/2")



6a



6b



ENERFREES™
Window & Wall Systems

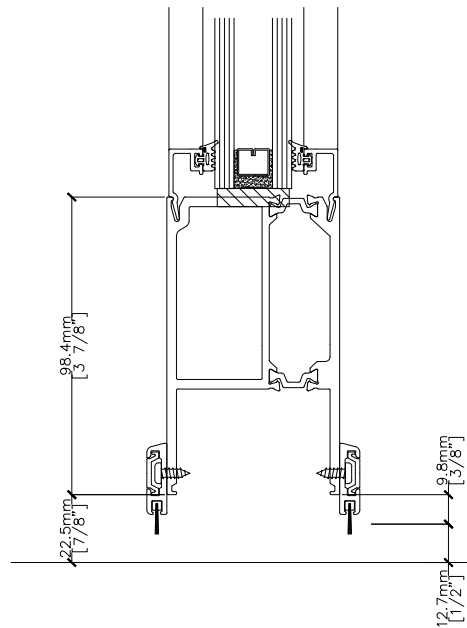
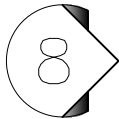
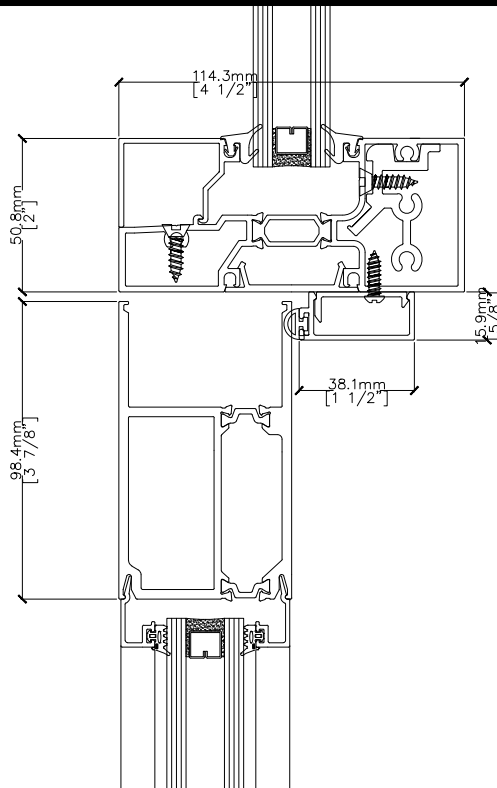
Manufacturer of High-performance Aluminum Systems
Address: 6 Denison St., Markham, Ontario, L3R 1B6
Tel: 1-800-678-1118
www.enerfrees.com

905-604-5118
info@enerfrees.com

V2023.10

4300 STOREFRONT (Double Glazed)

4300.20.20.5
SECTION 114.3mm (4 1/2")



ENERFREES™
Window & Wall Systems

Manufacturer of High-performance Aluminum Systems
Address: 6 Denison St., Markham, Ontario, L3R 1B6
Tel: 1-800-678-1118
www.enerfrees.com

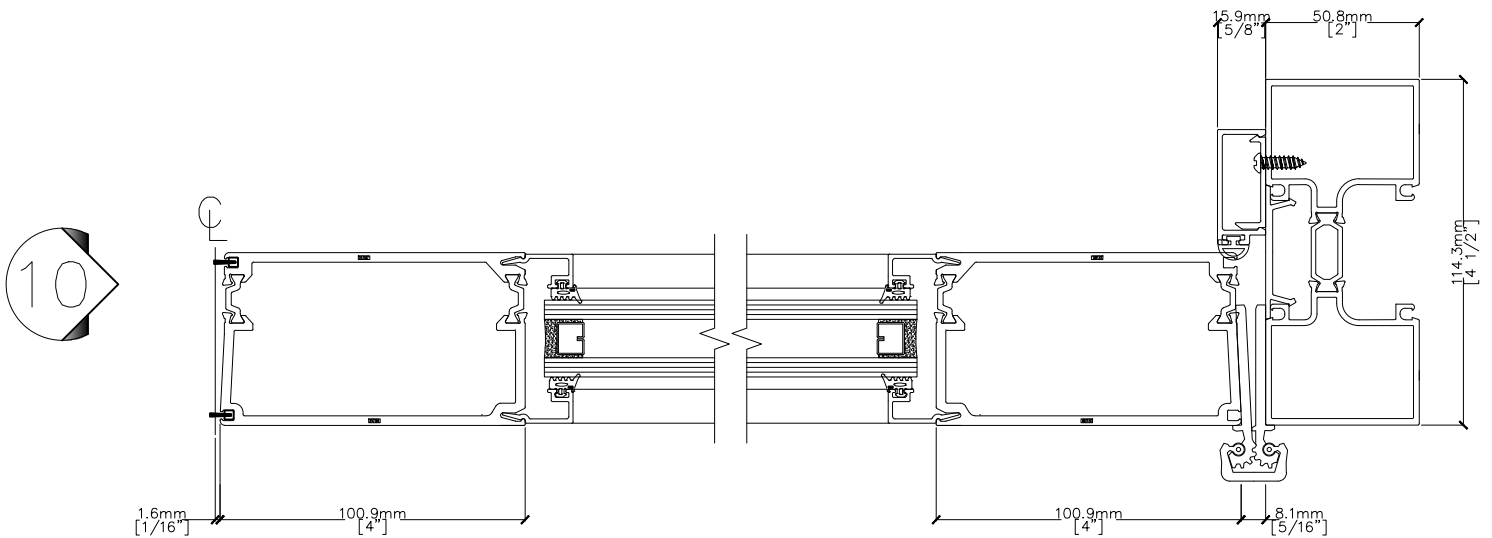
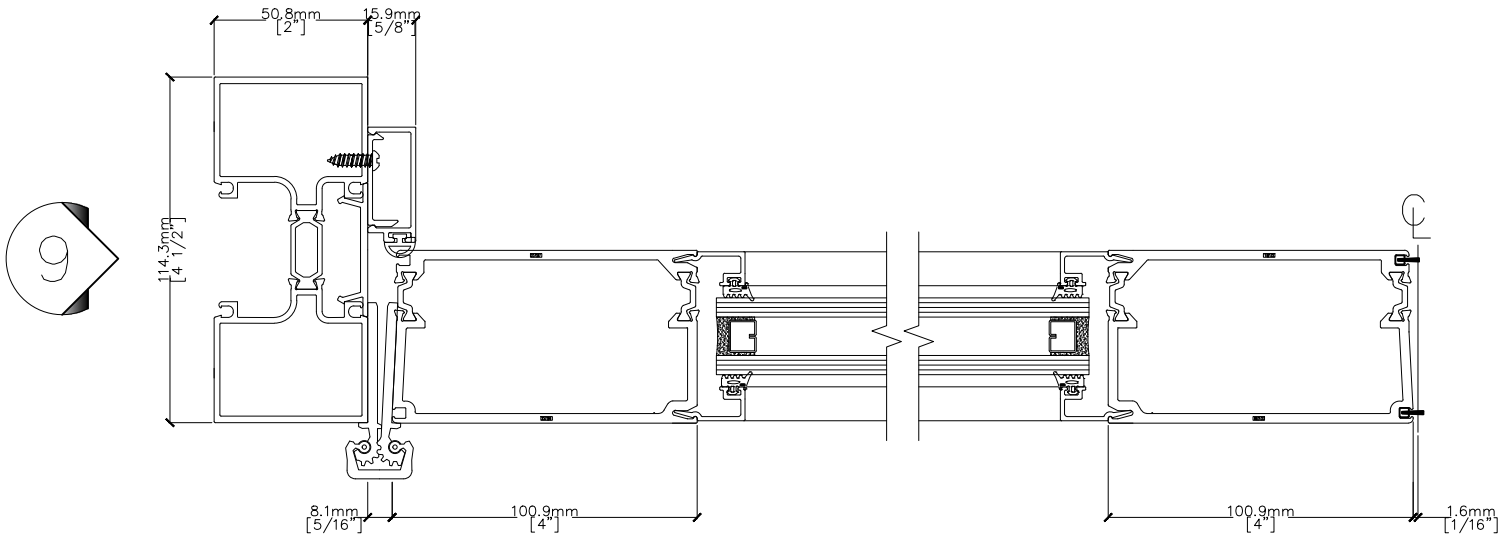
905-604-5118
info@enerfrees.com

V2023.10

4300 STOREFRONT (Double Glazed)

4300.20.20.6

SECTION 114.3mm (4 1/2")



ENERFREES™
Window & Wall Systems

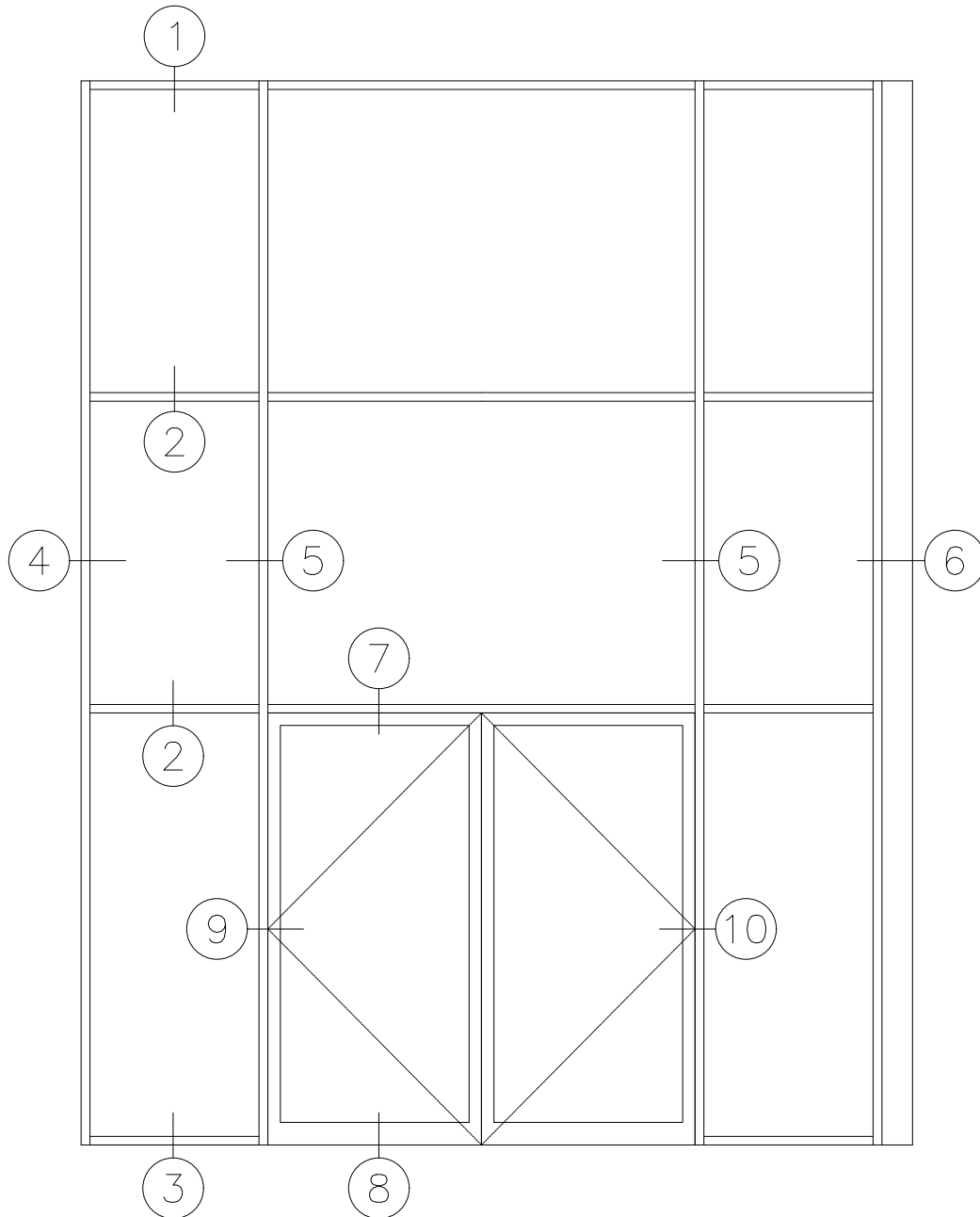
Manufacturer of High-performance Aluminum Systems
Address: 6 Denison St., Markham, Ontario, L3R 1B6
Tel: 1-800-678-1118
www.enerfrees.com

905-604-5118
info@enerfrees.com

V2023.10

4300 STOREFRONT (Single Glazed)

4300.20.30.0
SECTION 114.3mm (4 1/2")



4300 Thermally Broken Storefront (Single Glazed) is widely used framing profile for commercial and industrial setting. It provides integration to wide selections of standard series or custom size operable windows and/or doors.



ENERFREES™
Window & Wall Systems

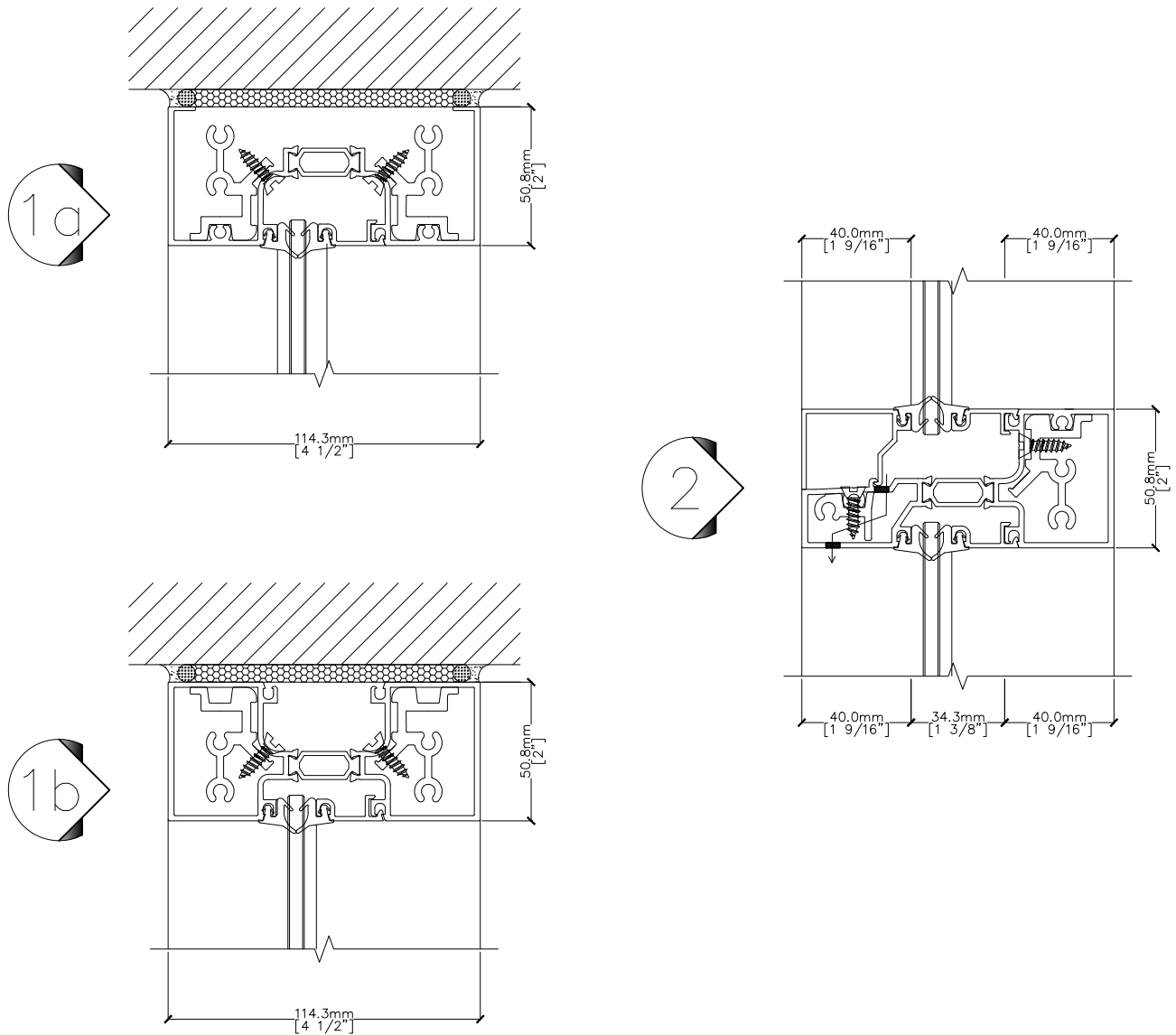
Manufacturer of High-performance Aluminum Systems
Address: 6 Denison St., Markham, Ontario, L3R 1B6
Tel: 1-800-678-1118
www.enerfrees.com

905-604-5118
info@enerfrees.com

V2023.10

4300 STOREFRONT (Single Glazed)

4300.20.30.1
SECTION 114.3mm (4 1/2")



ENERFREES™
Window & Wall Systems

Manufacturer of High-performance Aluminum Systems
Address: 6 Denison St., Markham, Ontario, L3R 1B6
Tel: 1-800-678-1118
www.enerfrees.com

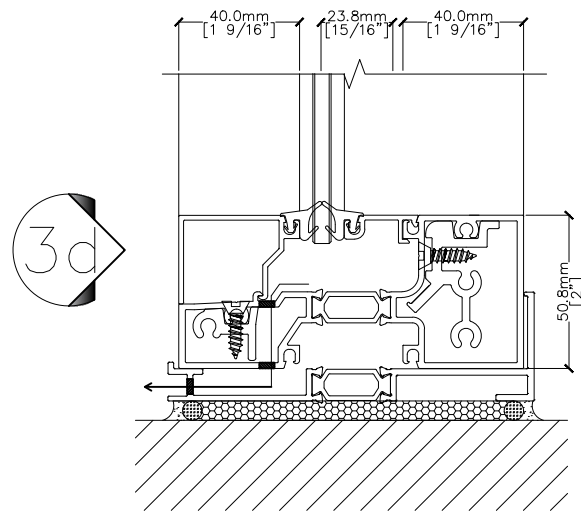
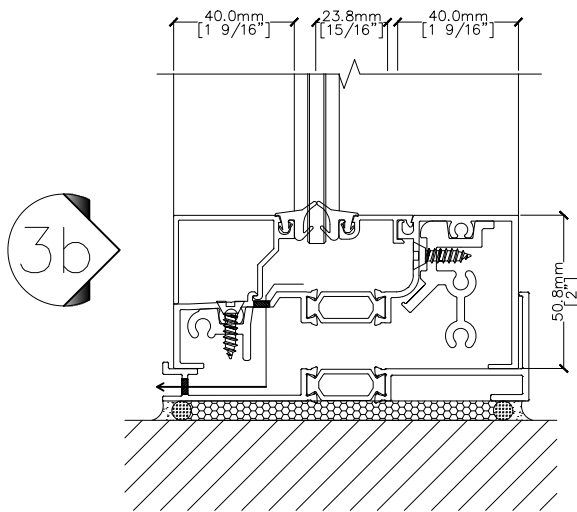
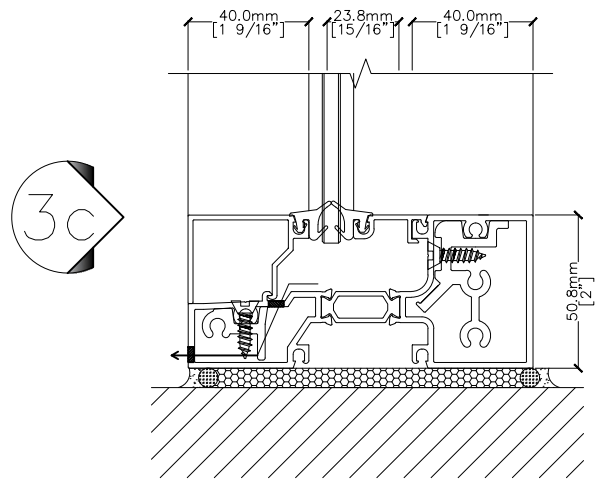
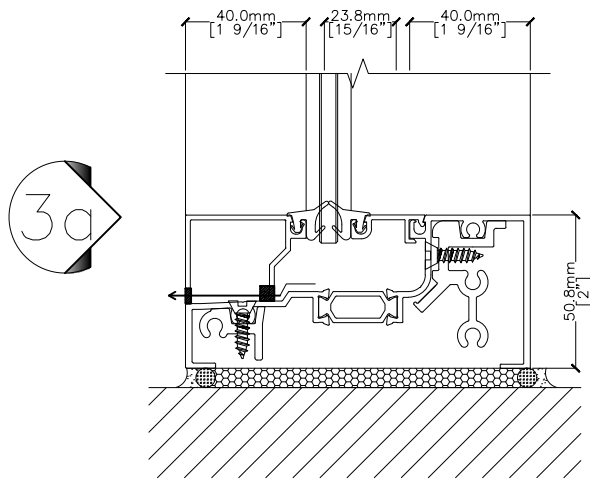
905-604-5118
info@enerfrees.com

V2023.10

4300 STOREFRONT (Single Glazed)

4300.20.30.2

SECTION 114.3mm (4 1/2")



ENERFREES™
Window & Wall Systems

Manufacturer of High-performance Aluminum Systems
Address: 6 Denison St., Markham, Ontario, L3R 1B6
Tel: 1-800-678-1118
www.enerfrees.com

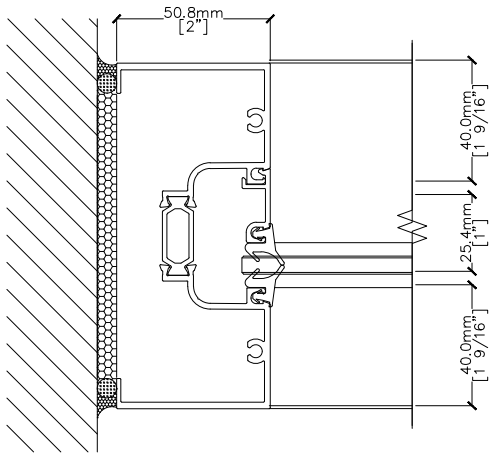
905-604-5118
info@enerfrees.com

V2023.10

4300 STOREFRONT (Single Glazed)

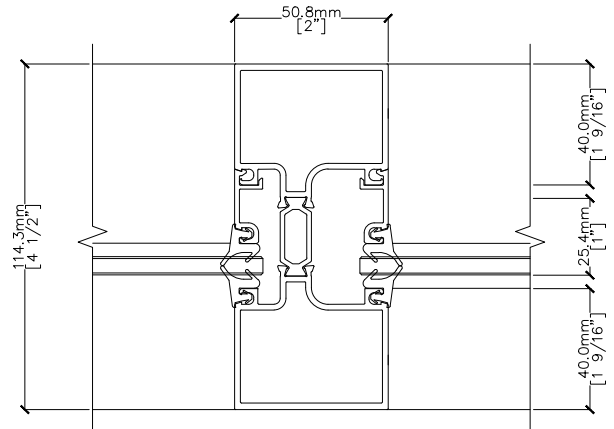
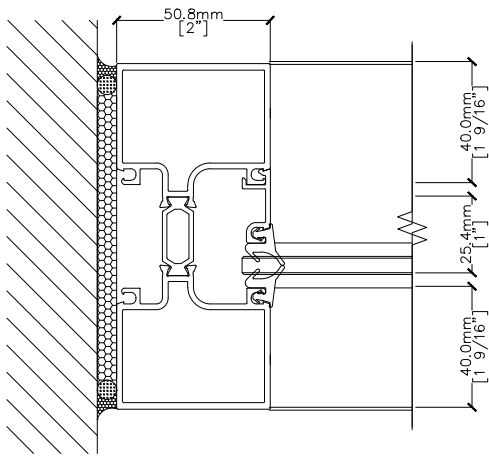
4300.20.30.3
SECTION 114.3mm (4 1/2")

4a



5

4b



ENERFREES™
Window & Wall Systems

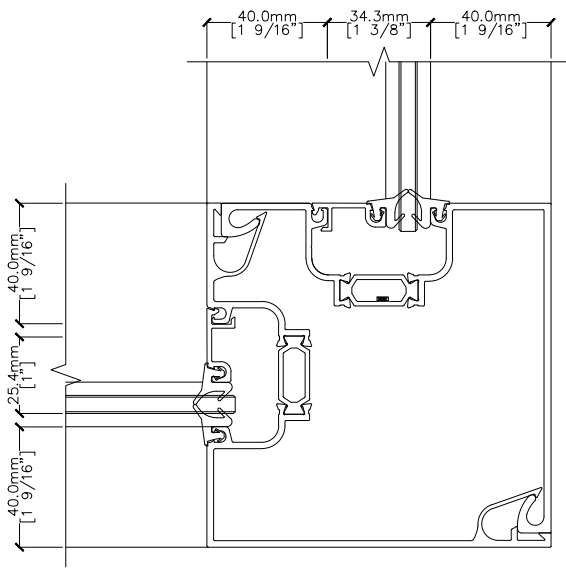
Manufacturer of High-performance Aluminum Systems
Address: 6 Denison St., Markham, Ontario, L3R 1B6
Tel: 1-800-678-1118
www.enerfrees.com

905-604-5118
info@enerfrees.com

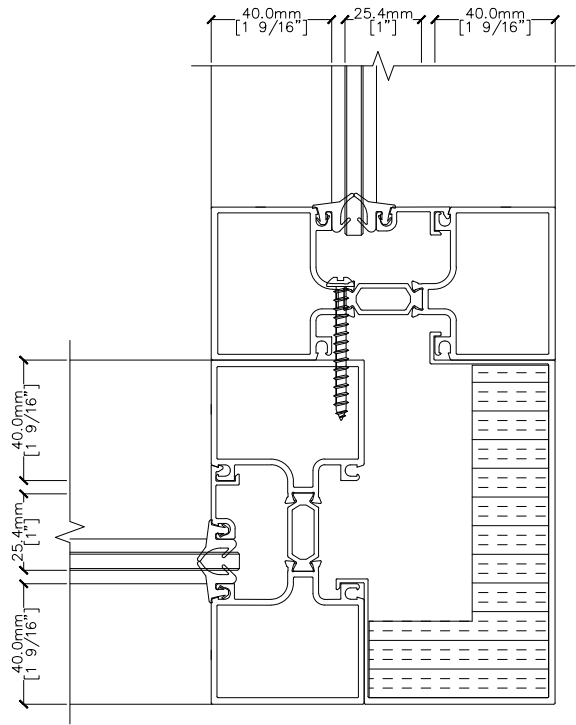
V2023.10

4300 STOREFRONT (Single Glazed)

4300.20.30.4
SECTION 114.3mm (4 1/2")



6a



6b



ENERFREES™
Window & Wall Systems

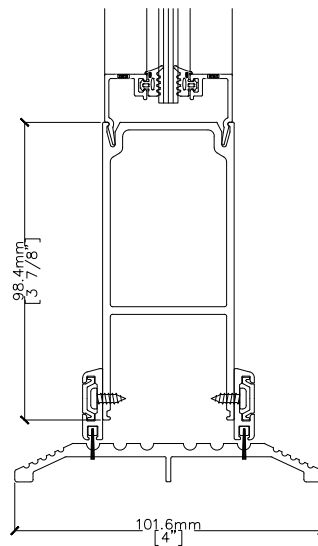
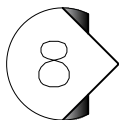
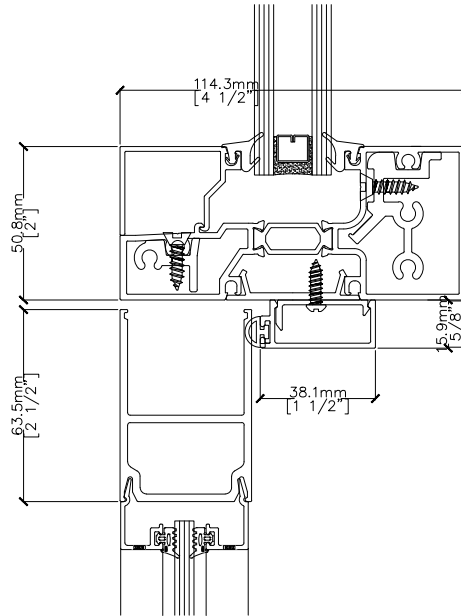
Manufacturer of High-performance Aluminum Systems
Address: 6 Denison St., Markham, Ontario, L3R 1B6
Tel: 1-800-678-1118
www.enerfrees.com

905-604-5118
info@enerfrees.com

V2023.10

4300 STOREFRONT (Single Glazed)

4300.20.30.5
SECTION 114.3mm (4 1/2")



ENERFREES™
Window & Wall Systems

Manufacturer of High-performance Aluminum Systems
Address: 6 Denison St., Markham, Ontario, L3R 1B6
Tel: 1-800-678-1118
www.enerfrees.com

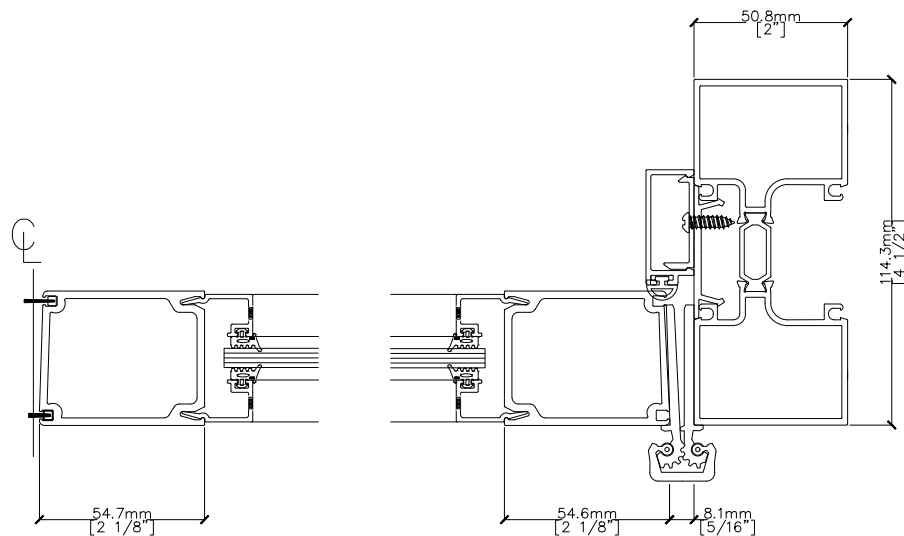
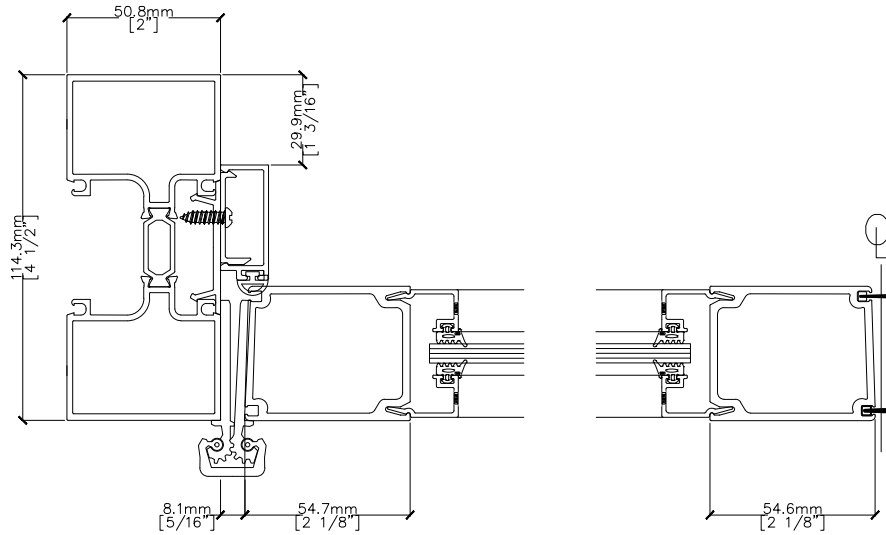
905-604-5118
info@enerfrees.com

V2023.10

4300 STOREFRONT (Single Glazed)

4300.20.30.6

SECTION 114.3mm (4 1/2")



ENERFREES™
Window & Wall Systems

Manufacturer of High-performance Aluminum Systems
Address: 6 Denison St., Markham, Ontario, L3R 1B6
Tel: 1-800-678-1118
www.enerfrees.com

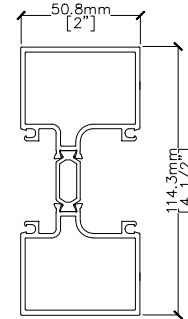
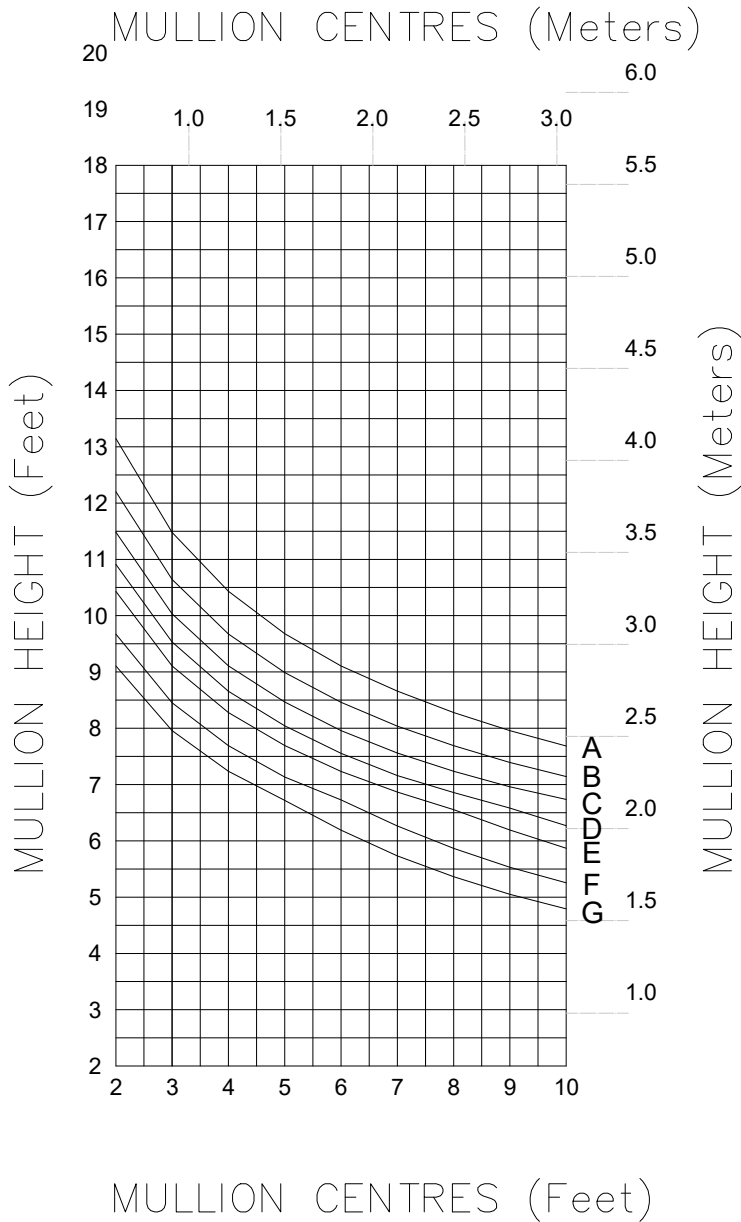
905-604-5118
info@enerfrees.com

V2023.10

4300 STOREFRONT

4300.20.40.01
WINDLOAD CHART

430002 50.8mm x 114.3mm (2" X 4 1/2")
Vertical Mullion



$$I_x = 2.9338 \text{ in}^4$$

$$S_x = 1.3028 \text{ in}^3$$

- A = 20 PSF
- B = 25 PSF
- C = 30 PSF
- D = 35 PSF
- E = 40 PSF
- F = 50 PSF
- G = 60 PSF



ENERFREES™
Window & Wall Systems

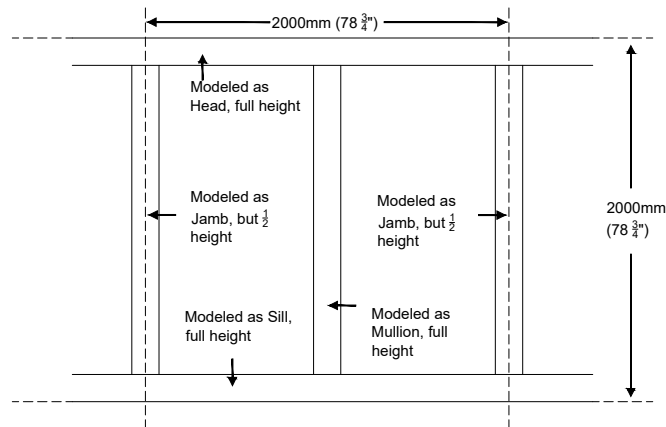
Manufacturer of High-performance Aluminum Systems
Address: 6 Denison St., Markham, Ontario, L3R 1B6
Tel: 1-800-678-1118 905-604-5118
www.enerfrees.com info@enerfrees.com

V2023.10

4300 STOREFRONT

4300.20.50.01
U-FACTOR TABLE

1. The overall product U-factors are determined in accordance with NFRC 100-2010.
2. The Center-of-Glazing U-factors are determined by the insulated glass unit (IGU) and provided for by glass manufacturer/supplier.
3. The simulated specimen size is based on NFRC 100-2010 Table 4-3 Product Type Window Wall, which is 2000mm (78 3/4") width by 2000mm (78 3/4") and height (full height of head and sill, 1/2 width of the vertical mullion). See below:



DOUBLE GLAZED METRIC UNIT

Center-of-Glazing U-factor (W/m ² -K)	Non-metal Spacer	Aluminum Spacer
	Product U-factor (W/m ² -K)	Product U-factor (W/m ² -K)
1.00	1.39	1.57
1.10	1.45	1.65
1.20	1.50	1.73
1.30	1.58	1.82
1.40	1.69	1.90
1.50	1.78	1.98
1.60	1.87	2.06
1.70	1.95	2.14
1.80	2.03	2.22
1.90	2.12	2.30
2.00	2.20	2.39
2.10	2.29	2.47
2.20	2.37	2.55
2.30	2.46	2.63
2.40	2.54	2.71
2.50	2.62	2.79

DOUBLE GLAZED IMPERIAL UNIT

Center-of-Glazing U-factor (Btu/h-ft ² -F)	Non-metal Spacer	Aluminum Spacer
	Product U-factor (Btu/h-ft ² -F)	Product U-factor (Btu/h-ft ² -F)
0.18	0.25	0.28
0.20	0.26	0.30
0.22	0.27	0.31
0.24	0.29	0.33
0.26	0.31	0.35
0.28	0.33	0.36
0.30	0.34	0.38
0.32	0.36	0.39
0.34	0.38	0.41
0.36	0.39	0.43
0.38	0.41	0.44
0.40	0.43	0.46
0.42	0.45	0.48
0.44	0.46	0.49