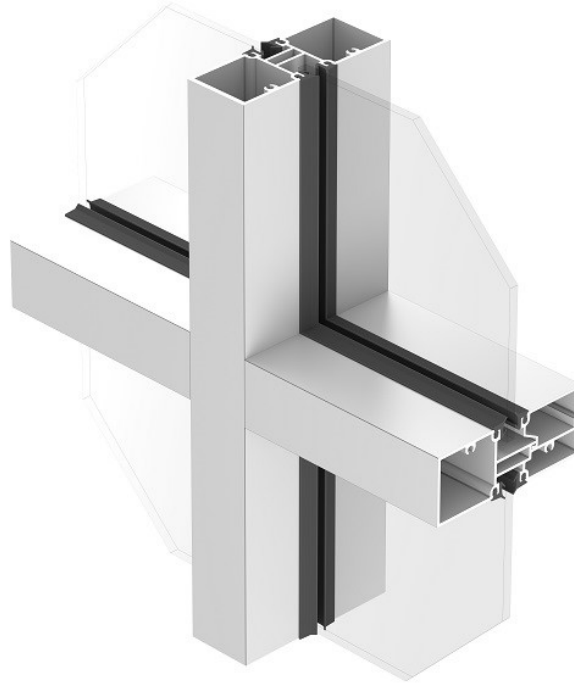


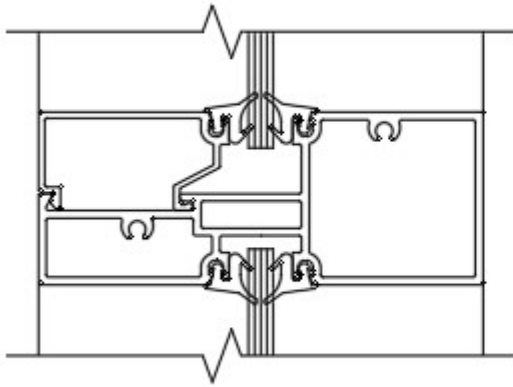
4200 Storefront Framing System



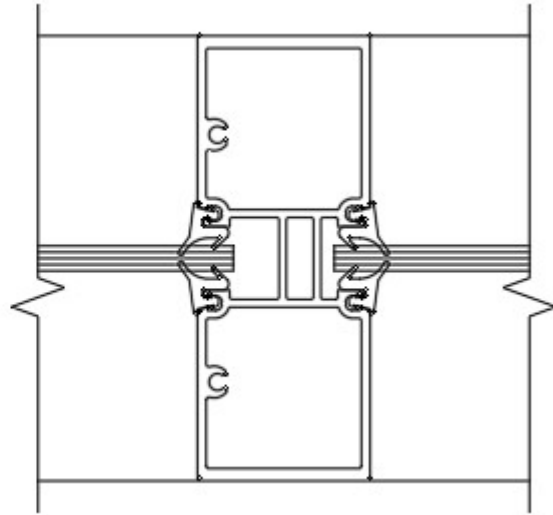
PRODUCT FEATURES

- Non-thermal performance
- Options to exterior glazing or interior glazing
- Slim profile for wider visibility to exterior and light reception
- Durable EPDM seal gaskets on exterior and interior
- Setting for single sheet glazing
- Standard finish in clear anodized and black anodized, options to different colors on exterior and interior
- Flexible to custom design and unlimited integration to standard and/or any sizes of doors and vents
- Design for interior framing

4200 Storefront Framing System



HORIZONTAL MULLION



VERTICAL MULLION

SIZE DETAILS

Frame Depth	Sightline	Glass Overall Thickness
114.3mm (4 1/2")	44.5mm (1 1/2")	Single sheet glazed from 6mm to 10mm (1/4" to 3/8")