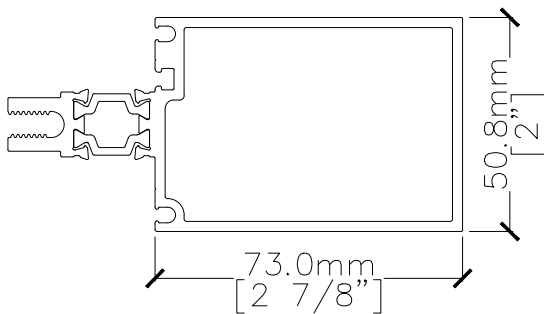


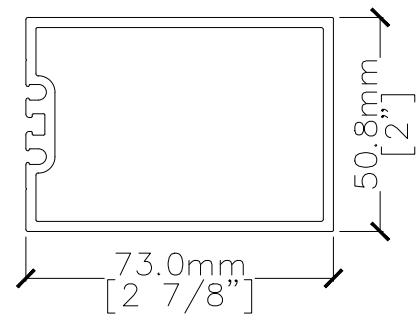
CURTAIN WALL 5200

- Back section size: 50.8mmX73.0mm (2"X 2 7/8")
- Polyamide thermally broken aluminum system
- Exterior galzing configuration
- Rainscreen Design
- EPDM glazing gasket
- Accommodate double and triple glazing units
- SSG configuration available
- Integration with vents and door assemblies

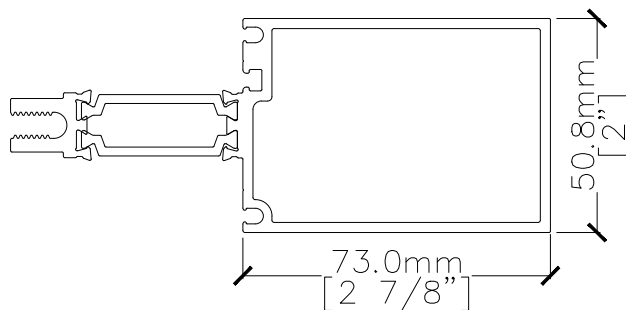
Capped Option (Double Glazed)



Structural Silicone Glazing

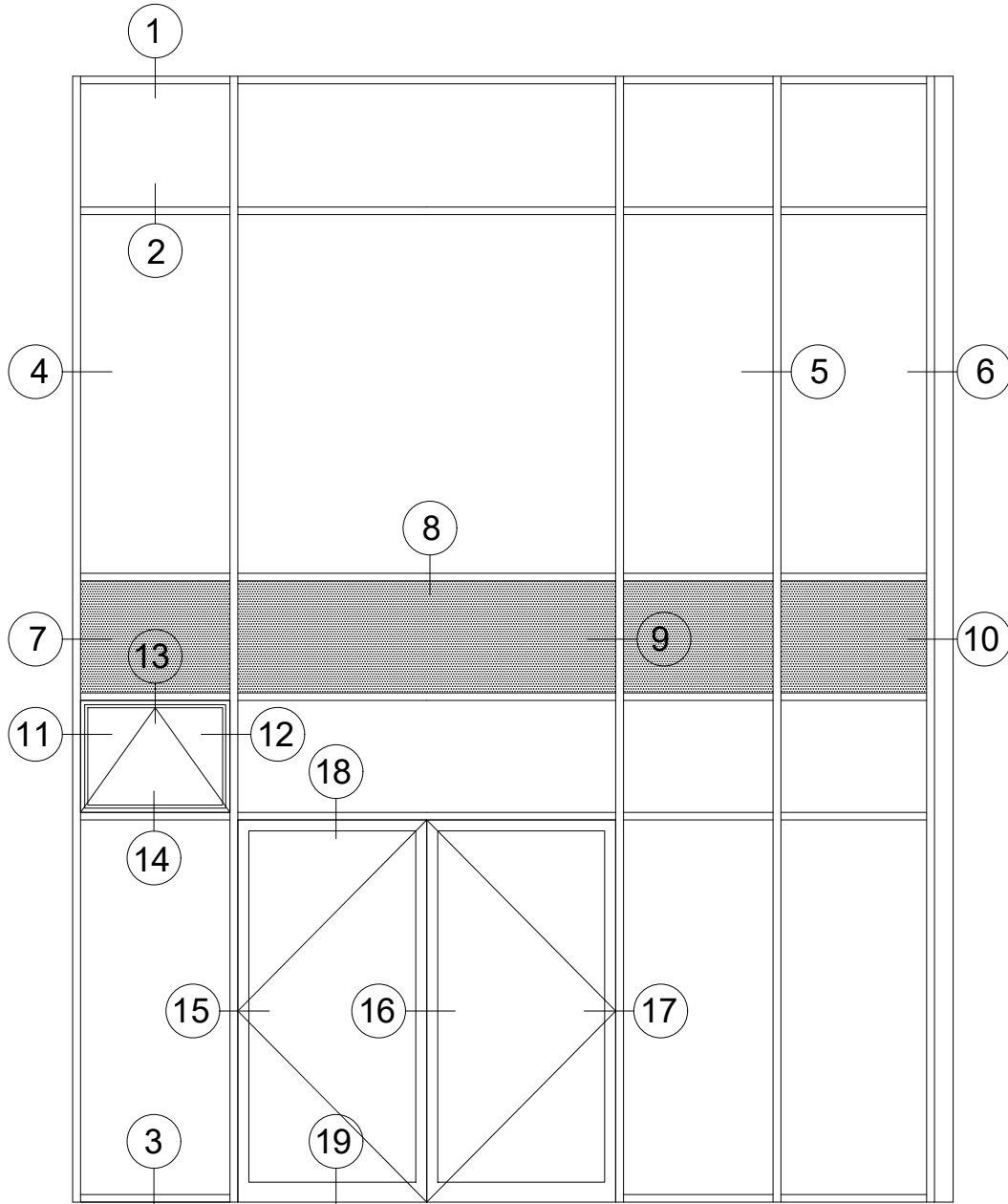


Capped Option (Triple Glazed)



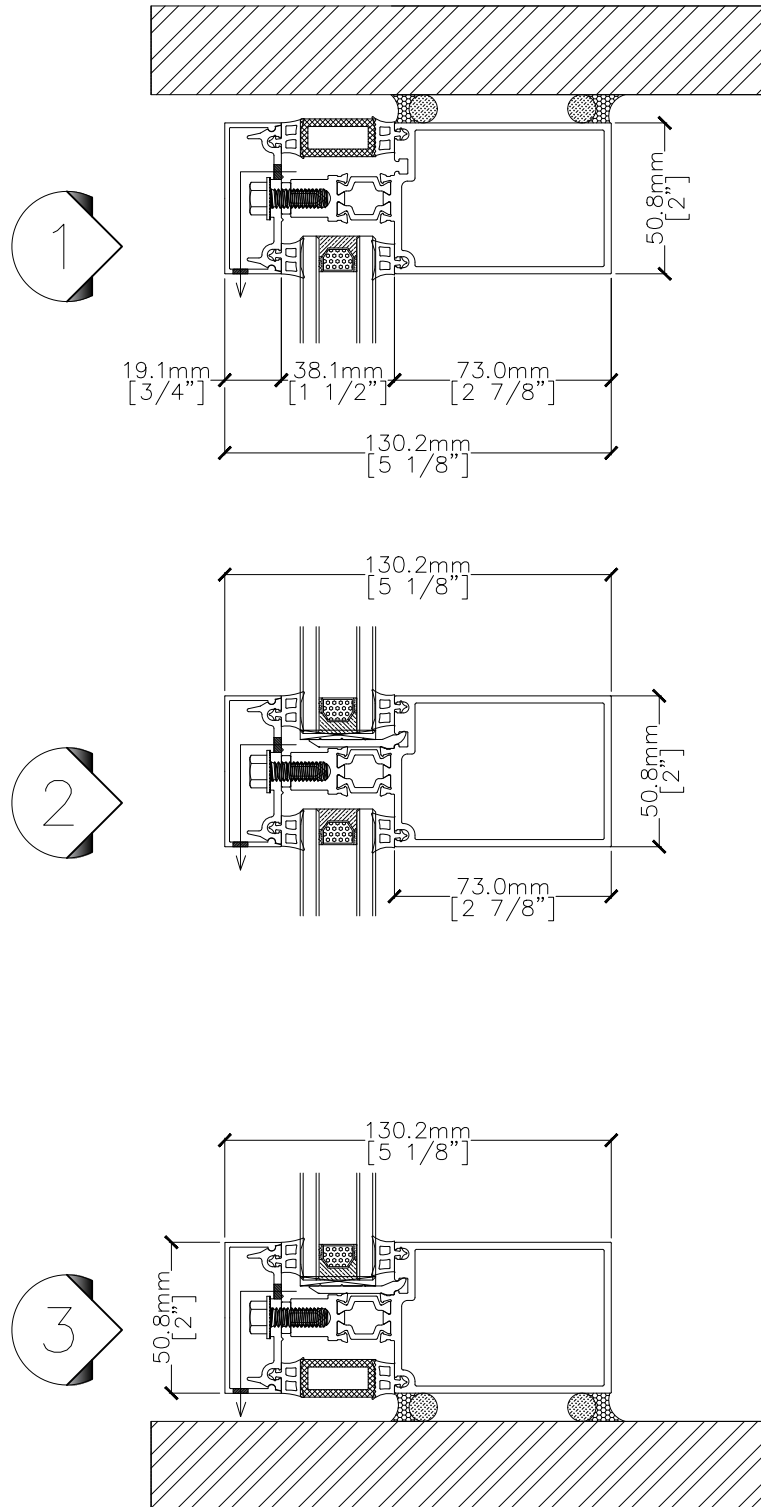
5200 CURTAIN WALL (Double Glazed)

5200.10.20.0
SECTION 73.0mm (2 7/8")



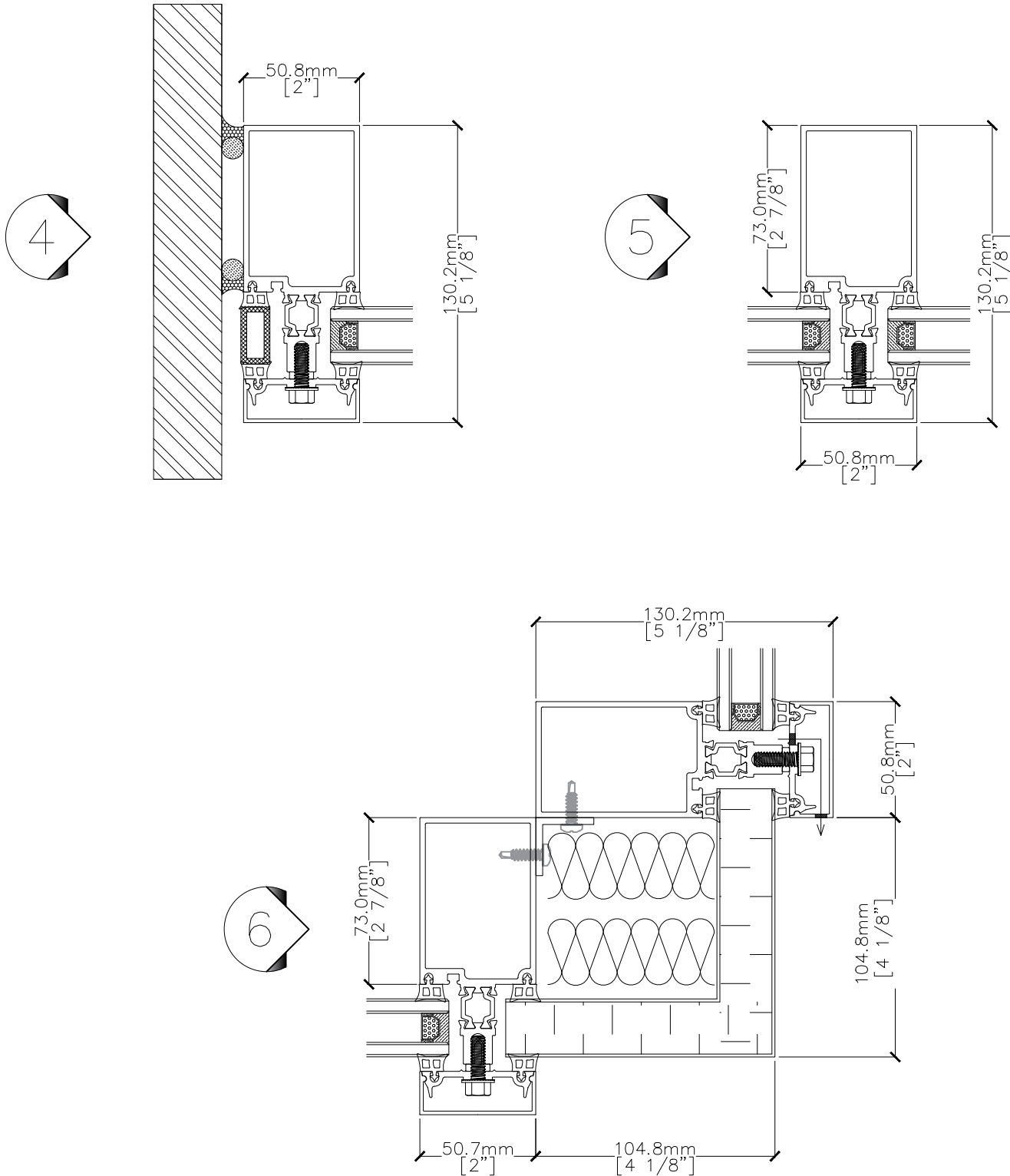
5200 CURTAIN WALL (Double Glazed)

5200.10.20.1
SECTION 73.0mm (2 7/8")



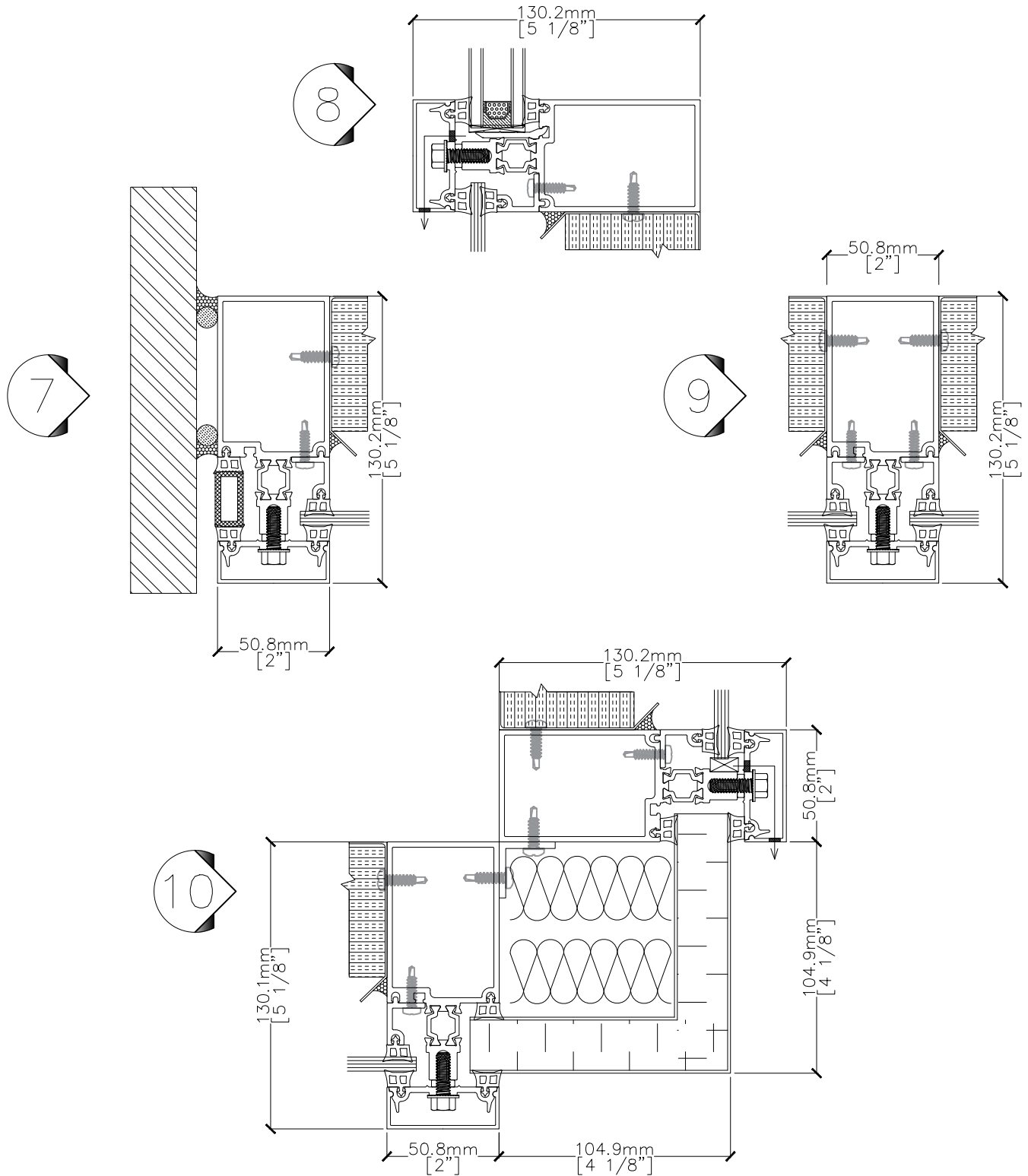
5200 CURTAIN WALL (Double Glazed)

5200.10.20.2
SECTION 73.0mm (2 7/8")



5200 CURTAIN WALL (Double Glazed)

5200.10.20.3
SECTION 73.0mm (2 7/8")



EnerFrees™
ARCHITECTURAL ALUMINUM

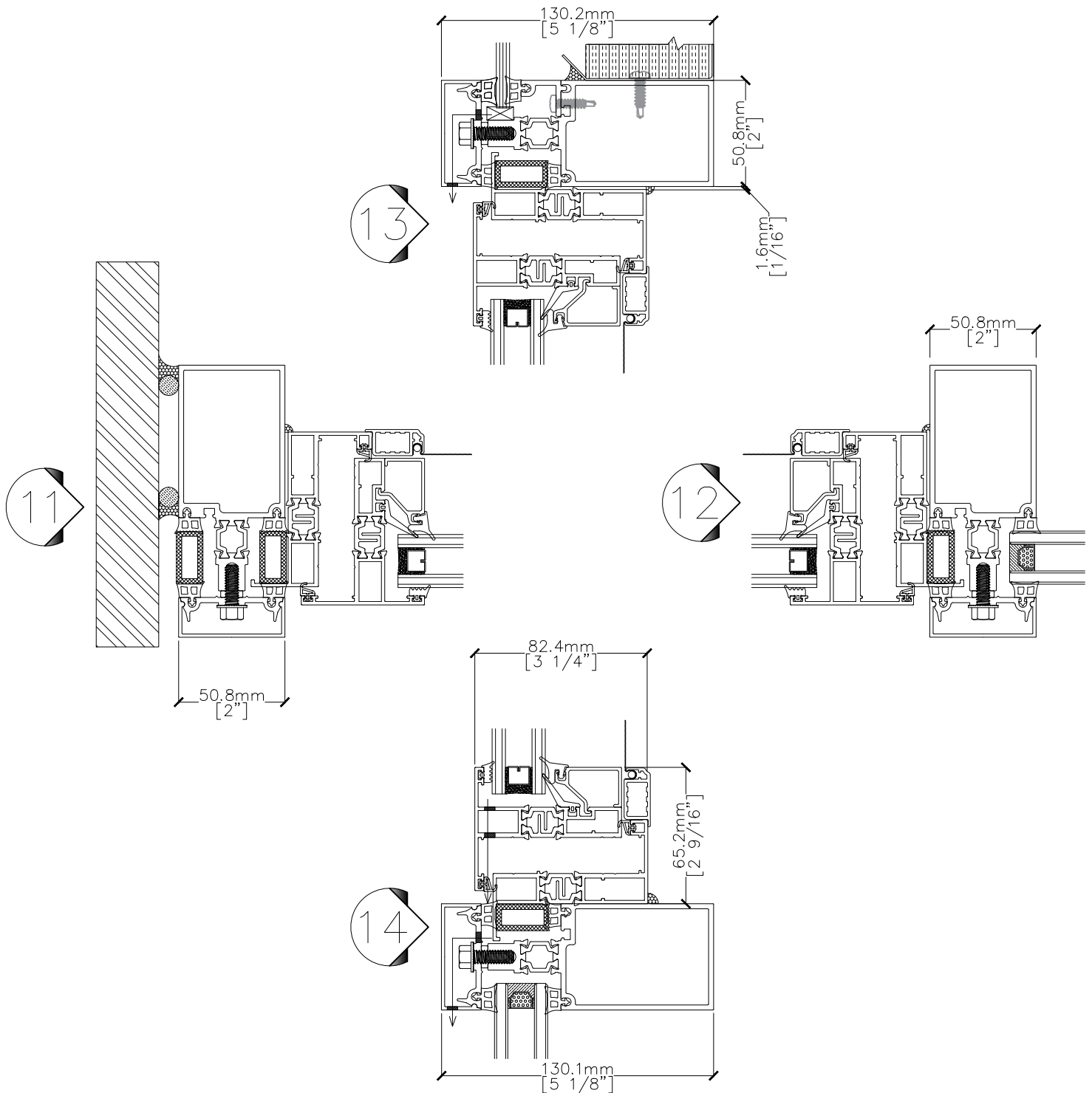
Manufacturer of High-performance Aluminum Systems
Address: 6 Denison St., Markham, Ontario, L3R 1B6
Tel: +1 905-604-5118
www.enerfrees.com

info@enerfrees.com

V2602

5200 CURTAIN WALL (Double Glazed)

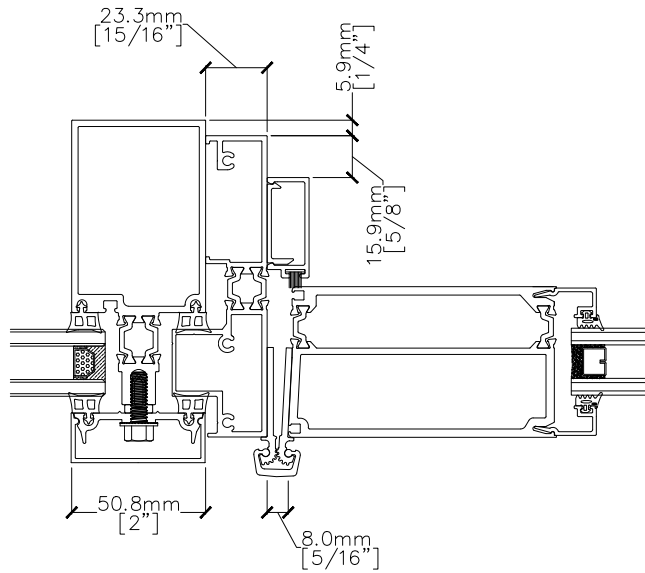
5200.10.20.4
SECTION 73.0mm (2 7/8")



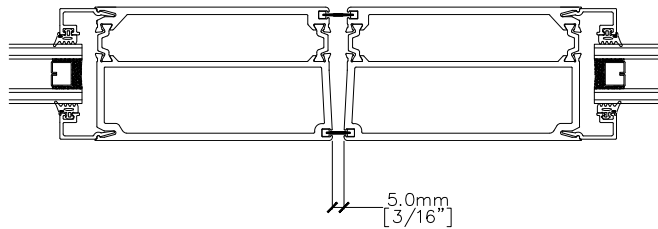
5200 CURTAIN WALL (Double Glazed)

5200.10.20.5
SECTION 73.0mm (2 7/8")

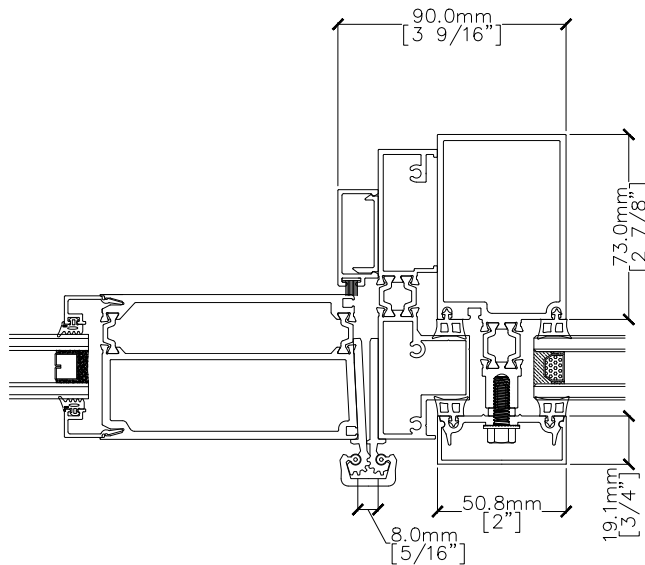
15



16

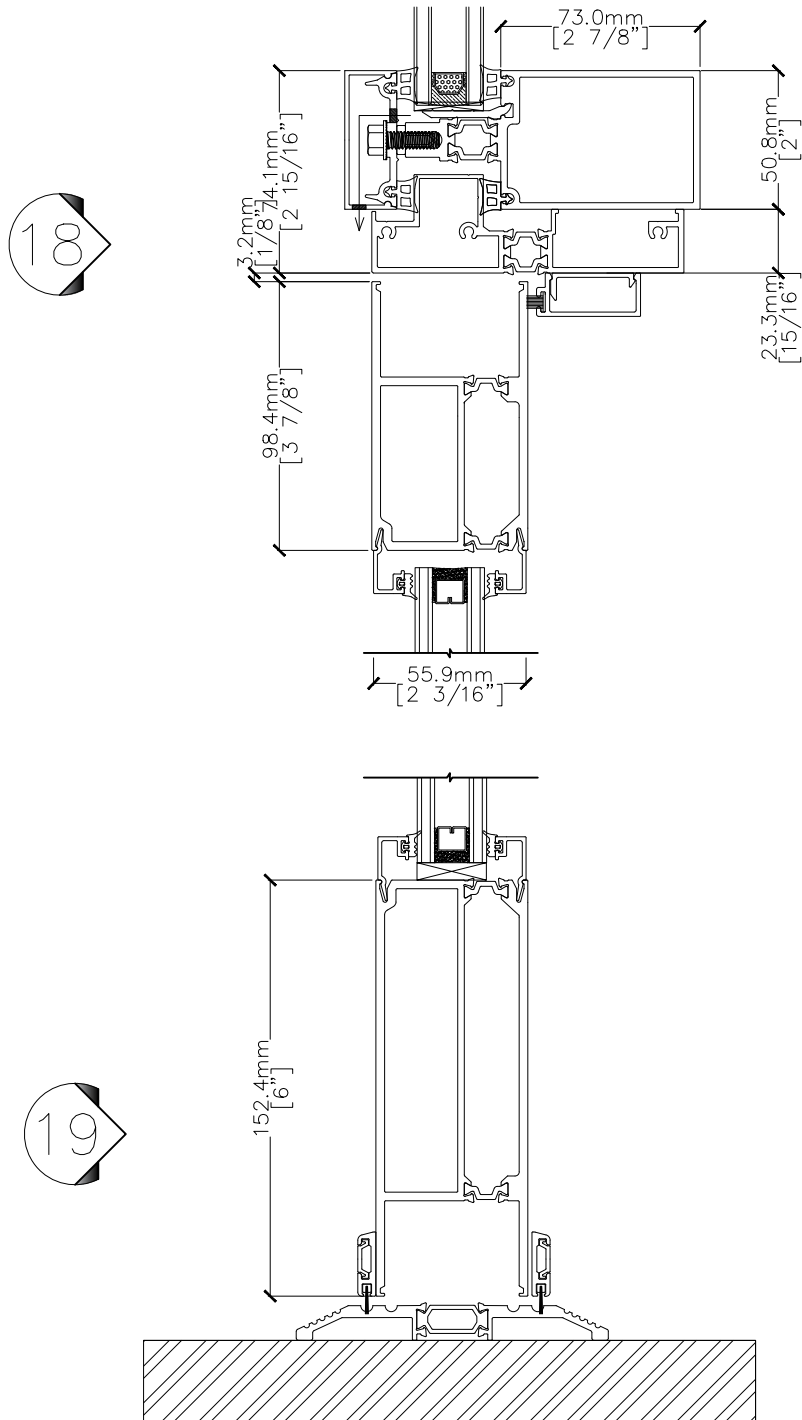


17



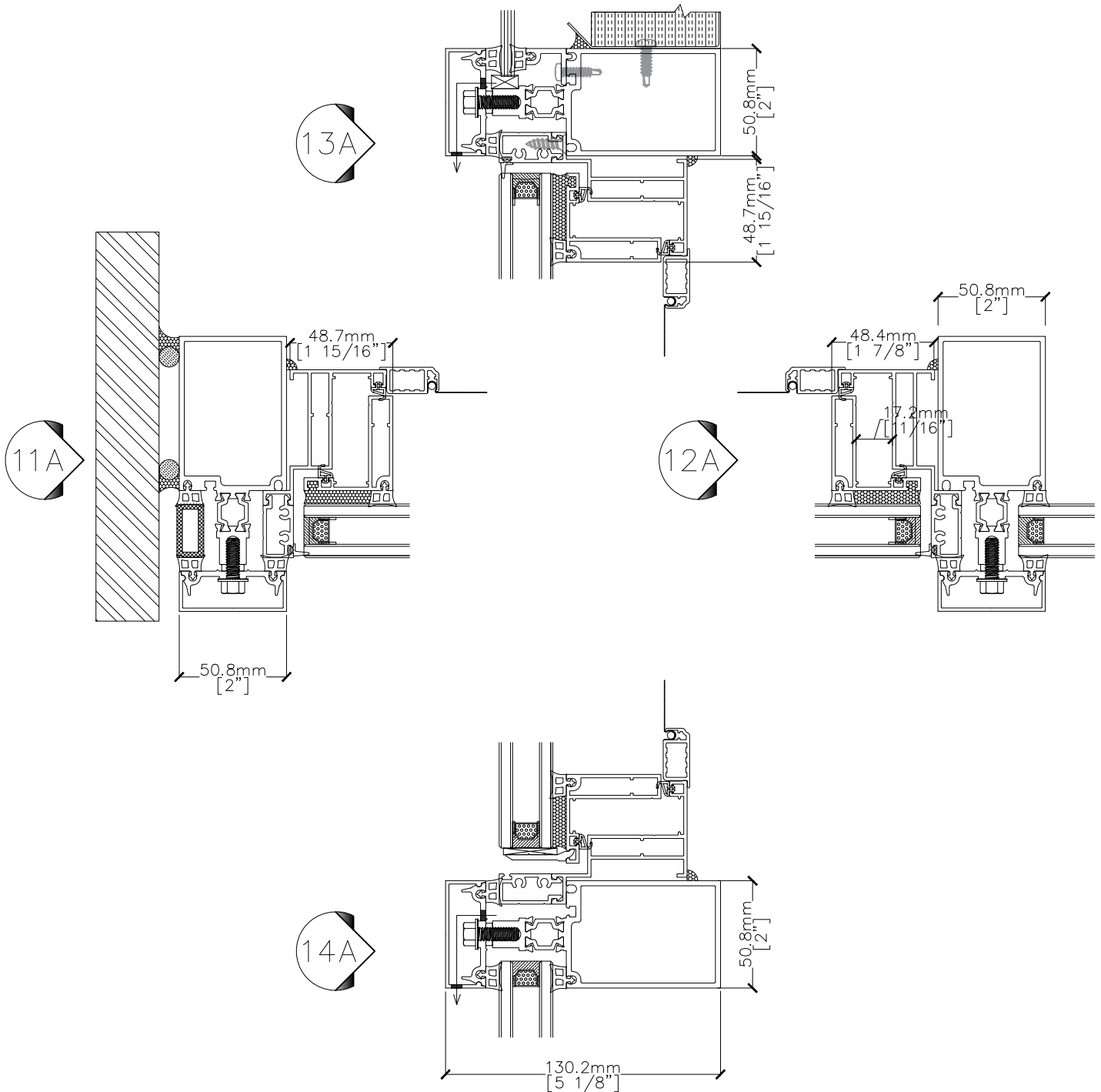
5200 CURTAIN WALL (Double Glazed)

5200.10.20.6
SECTION 73.0mm (2 7/8")



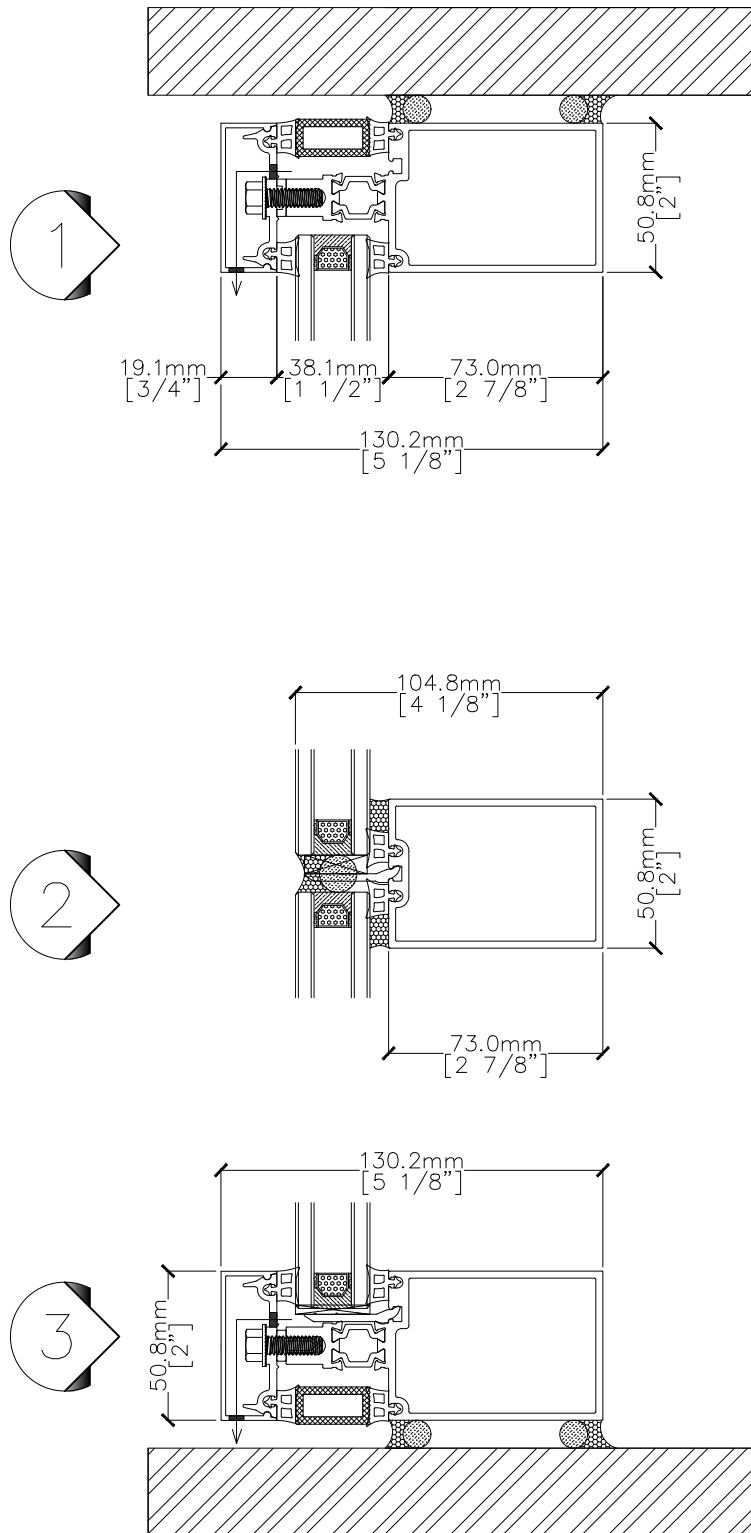
5200 CURTAIN WALL (Double Glazed)

5200.10.20.7
SECTION 73.0mm (2 7/8")



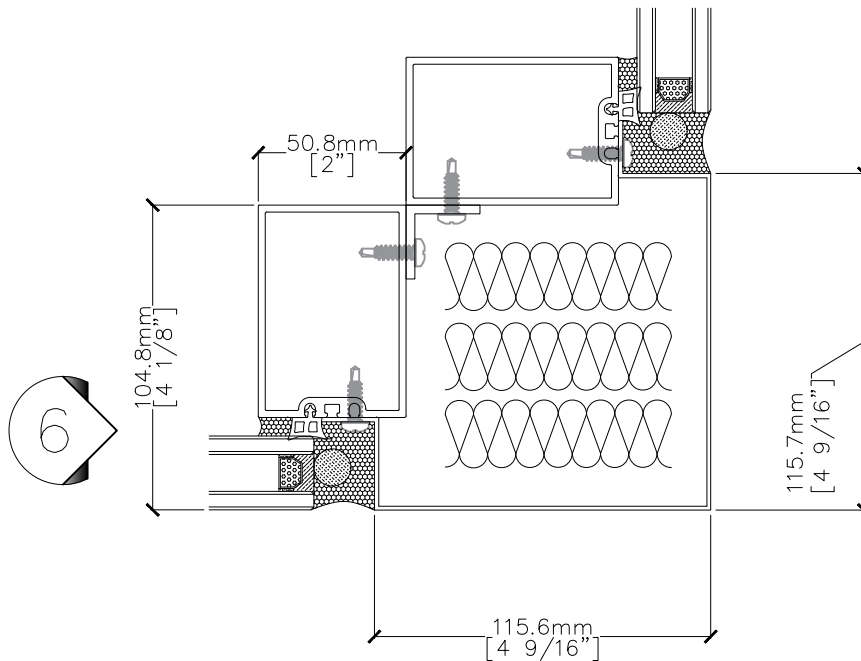
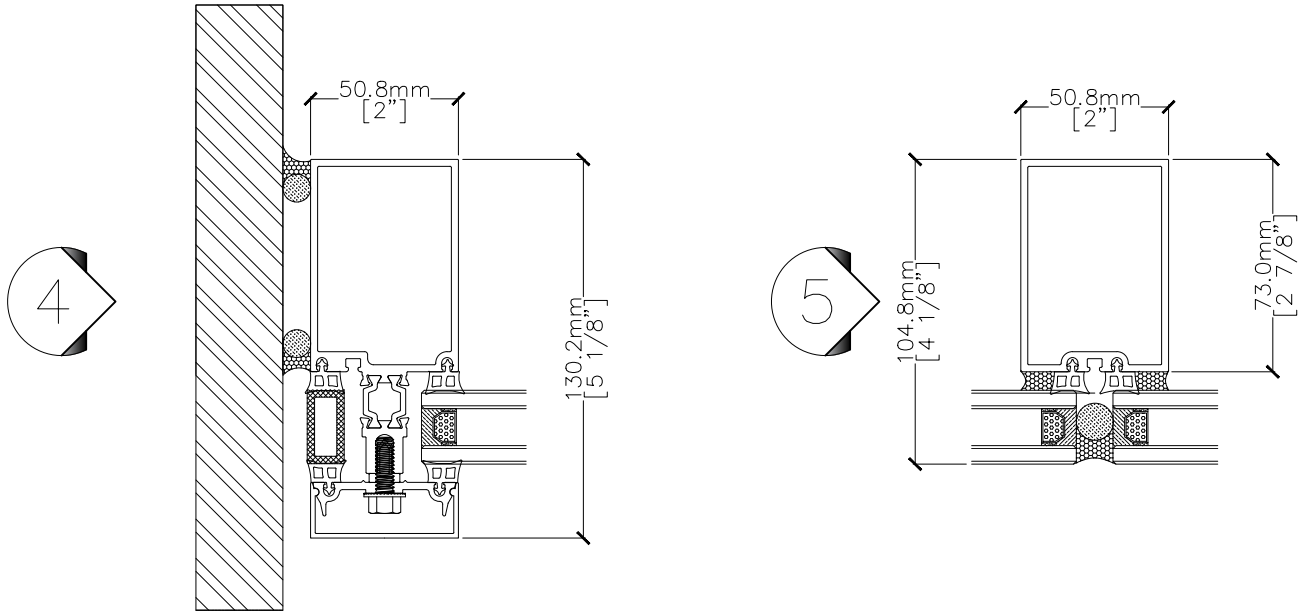
5200 CURTAIN WALL (Double Glazed)

5200.10.25.1
SECTION 73.0mm (2 7/8")



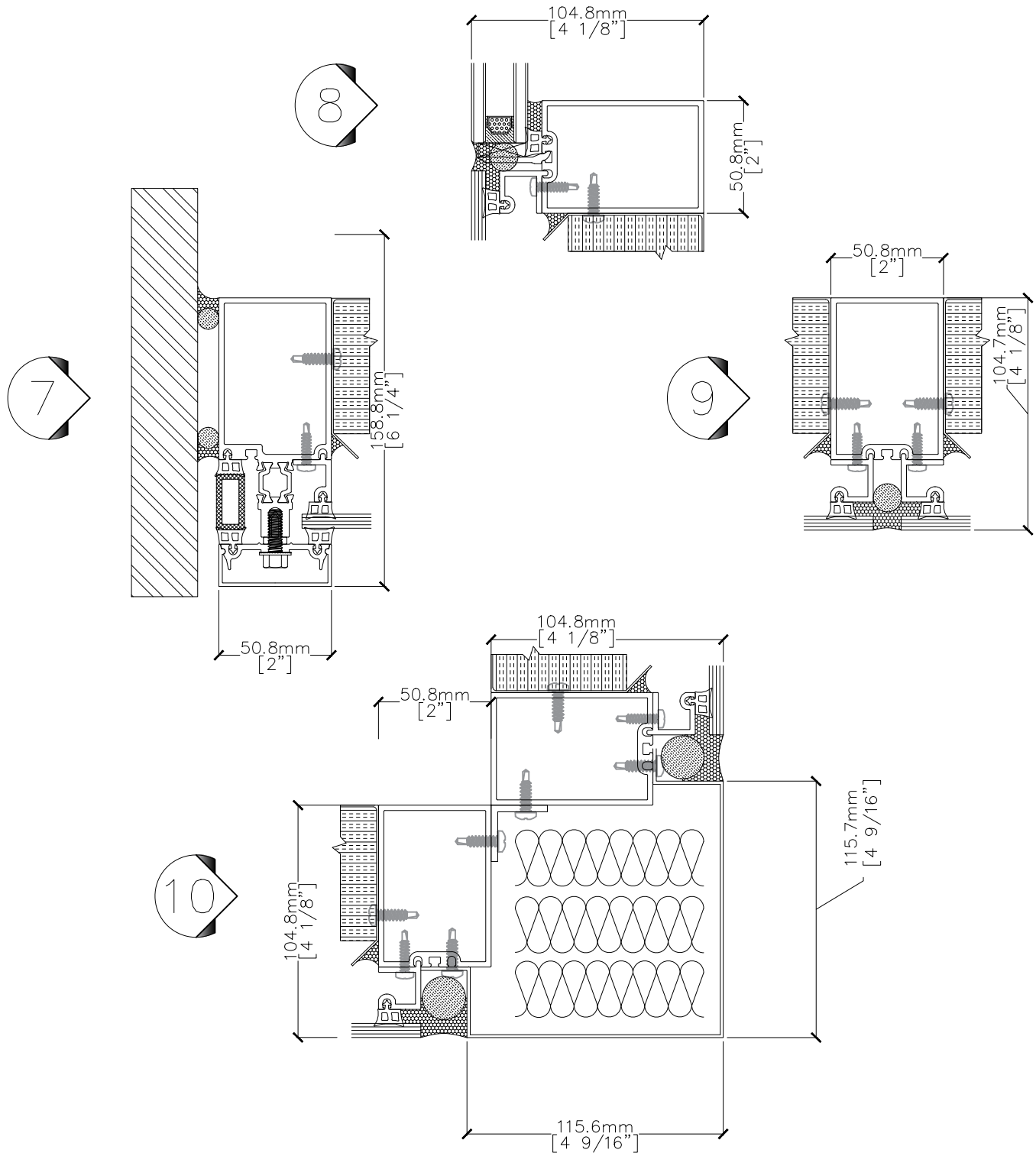
5200 CURTAIN WALL (Double Glazed)

5200.10.25.2
SECTION 73.0mm (2 7/8")



5200 CURTAIN WALL (Double Glazed)

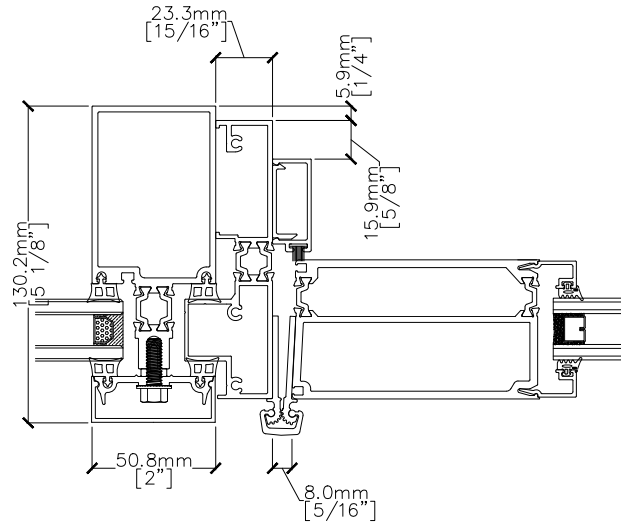
5200.10.25.3
SECTION 73.0mm (2 7/8")



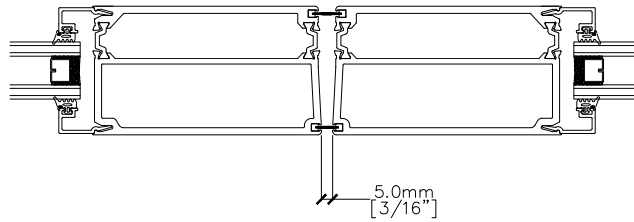
5200 CURTAIN WALL (Double Glazed)

5200.10.25.4
SECTION 73.0mm (2 7/8")

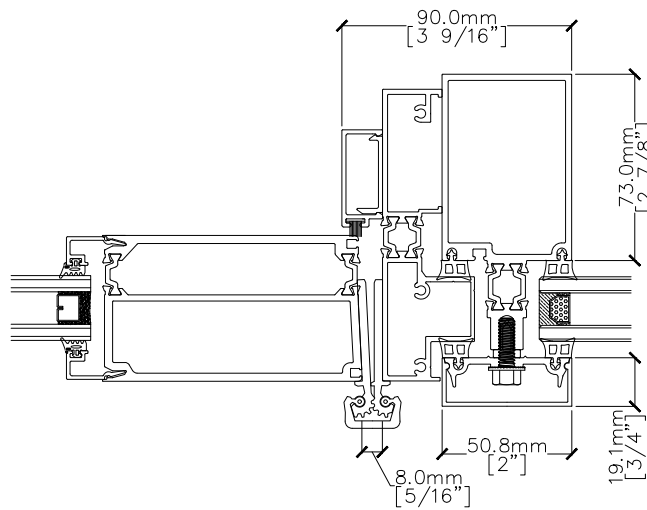
15



16



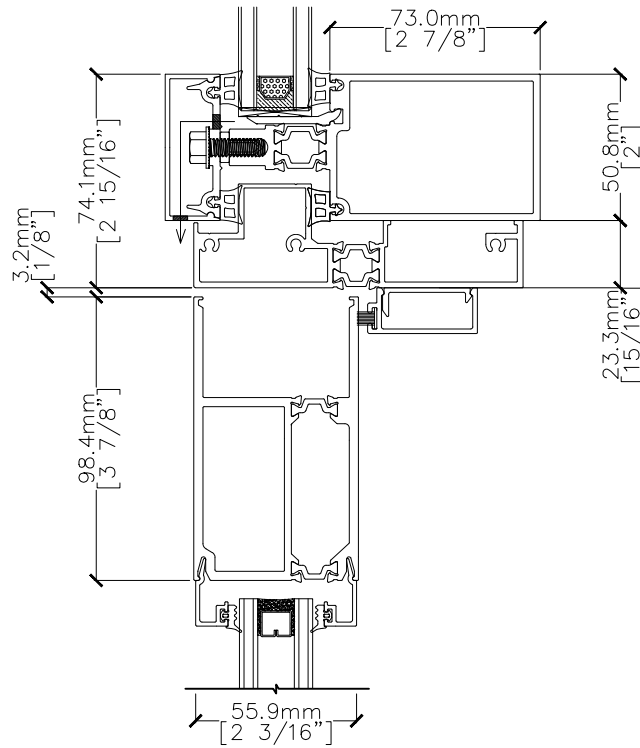
17



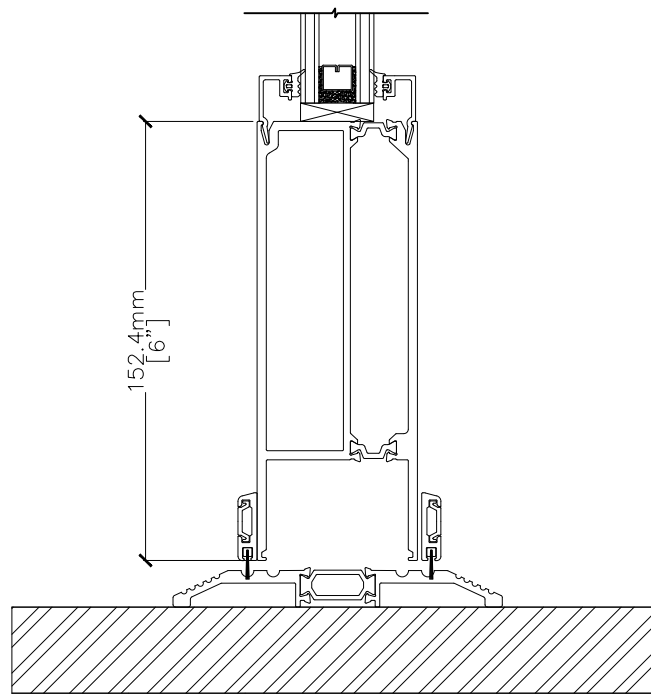
5200 CURTAIN WALL (Double Glazed)

5200.10.25.5
SECTION 73.0mm (2 7/8")

18



19



5200 CURTAIN WALL (Double Glazed)

5200.10.25.6
SECTION 73.0mm (2 7/8")

