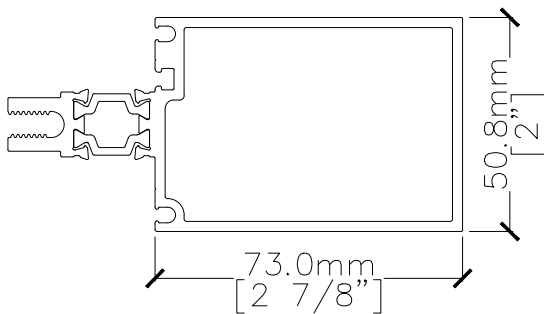


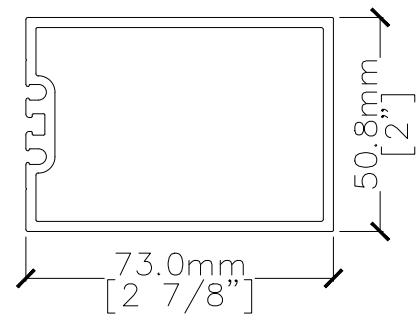
# CURTAIN WALL 5200

- Back section size: 50.8mmX73.0mm (2"X 2 7/8")
- Polyamide thermally broken aluminum system
- Exterior galzing configuration
- Rainscreen Design
- EPDM glazing gasket
- Accommodate double and triple glazing units
- SSG configuration available
- Integration with vents and door assemblies

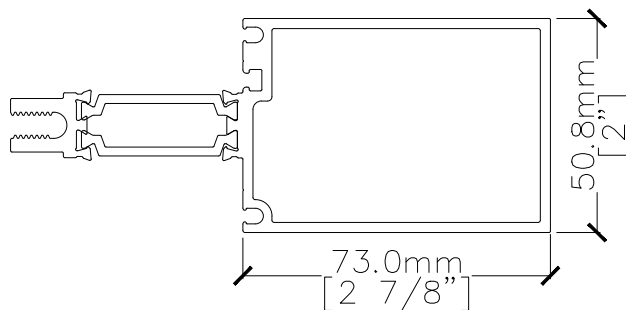
Capped Option (Double Glazed)



Structural Silicone Glazing

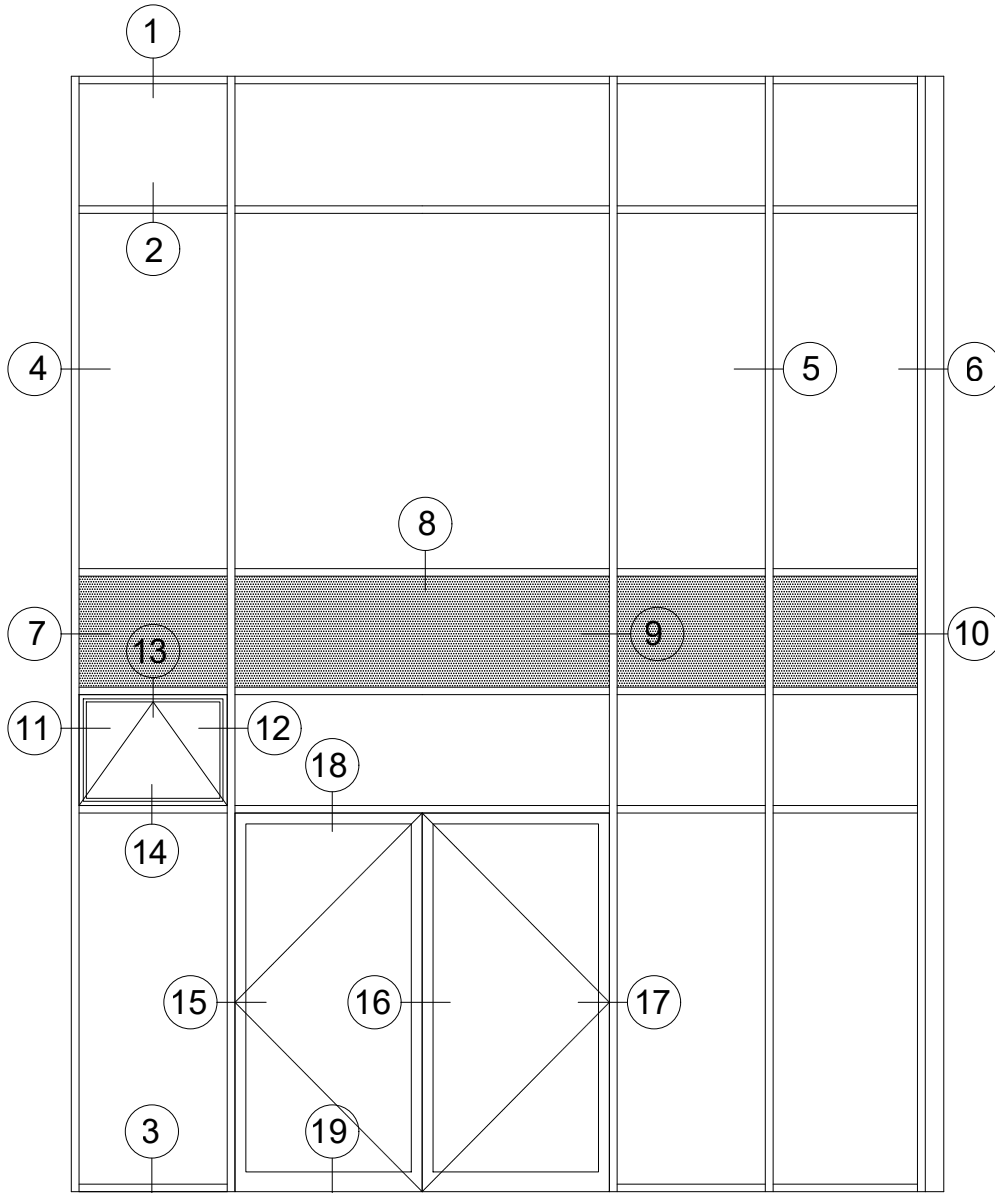


Capped Option (Triple Glazed)



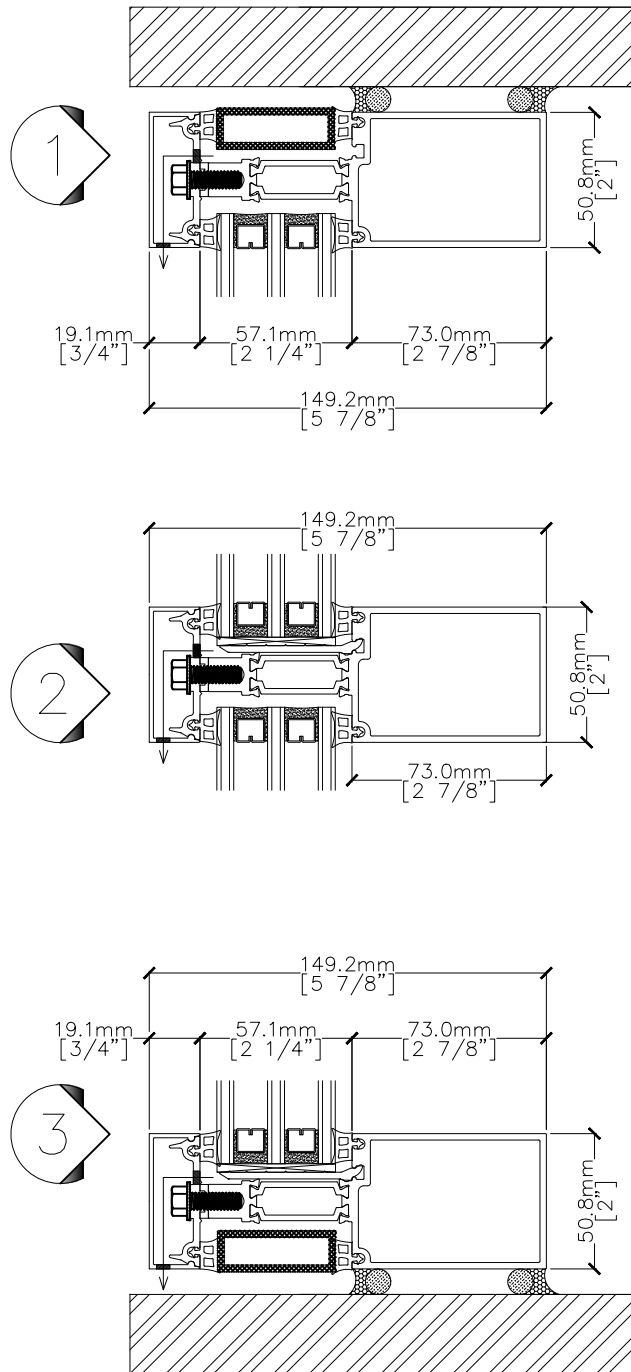
# 5200 CURTAIN WALL (Triple Glazed)

5200.10.30.0  
SECTION 73.0mm (2 7/8")



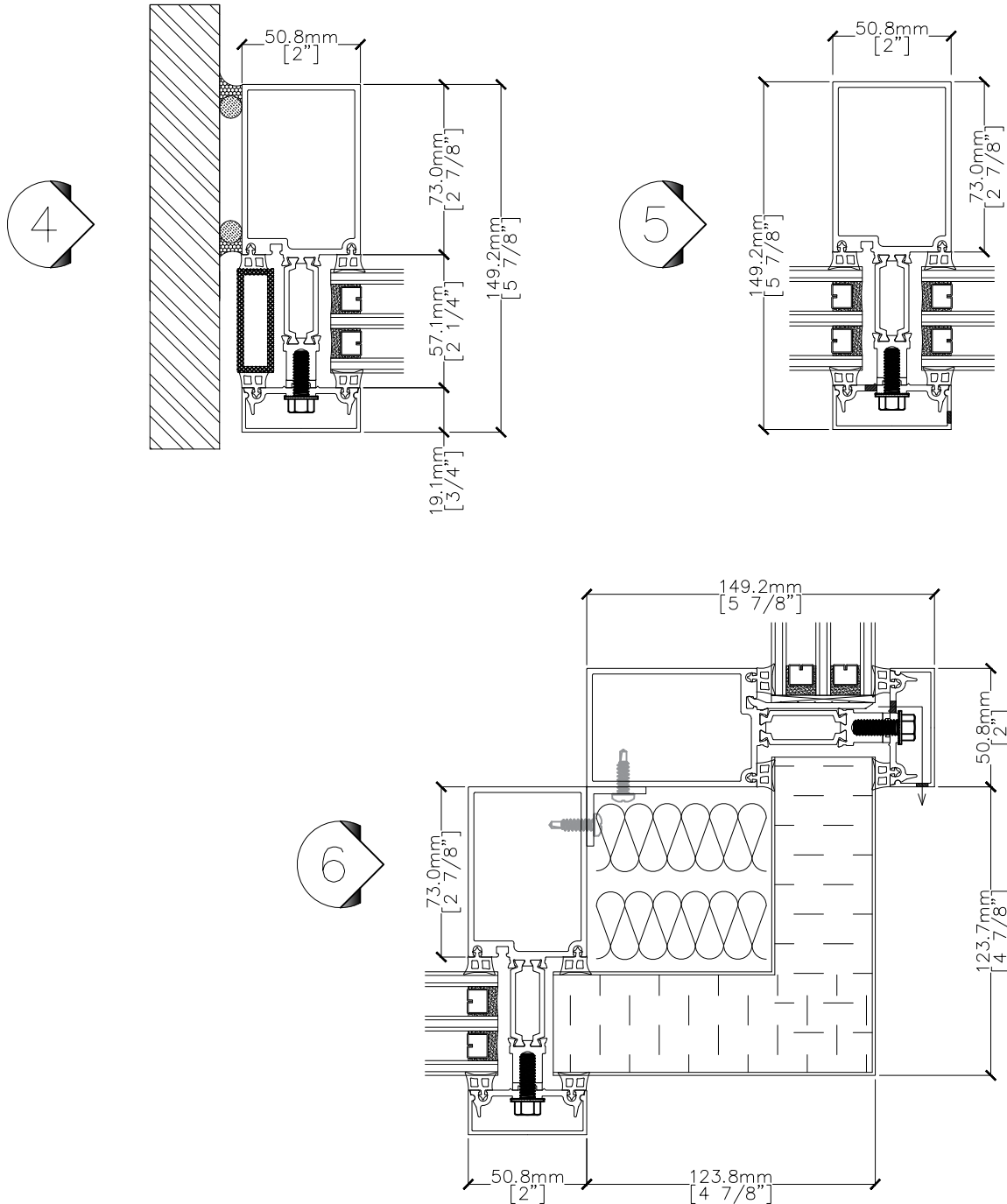
# 5200 CURTAIN WALL (Triple Glazed)

5200.10.30.1  
SECTION 73.0mm (2 7/8")



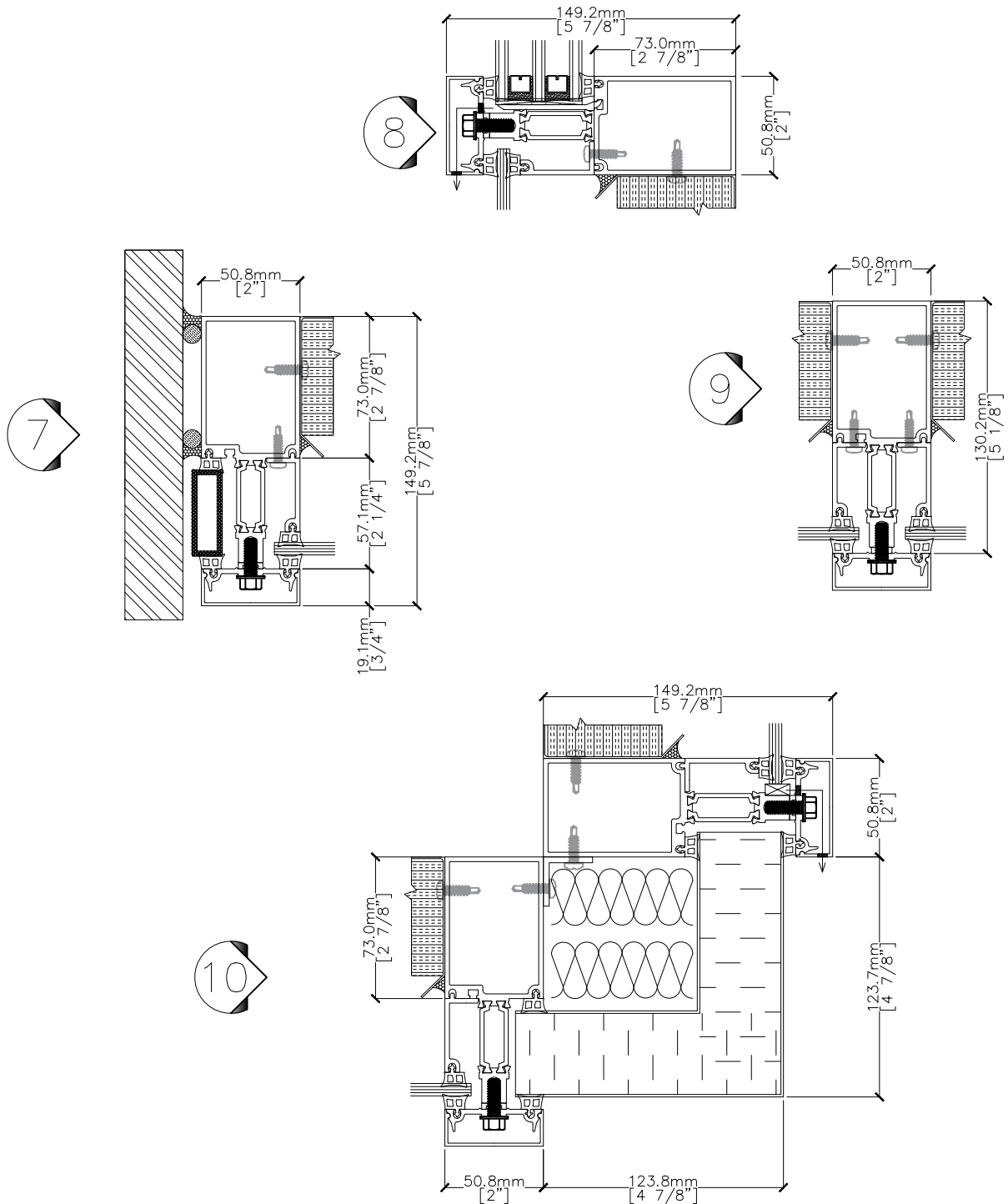
# 5200 CURTAIN WALL (Triple Glazed)

5200.10.30.2  
SECTION 73.0mm (2 7/8")



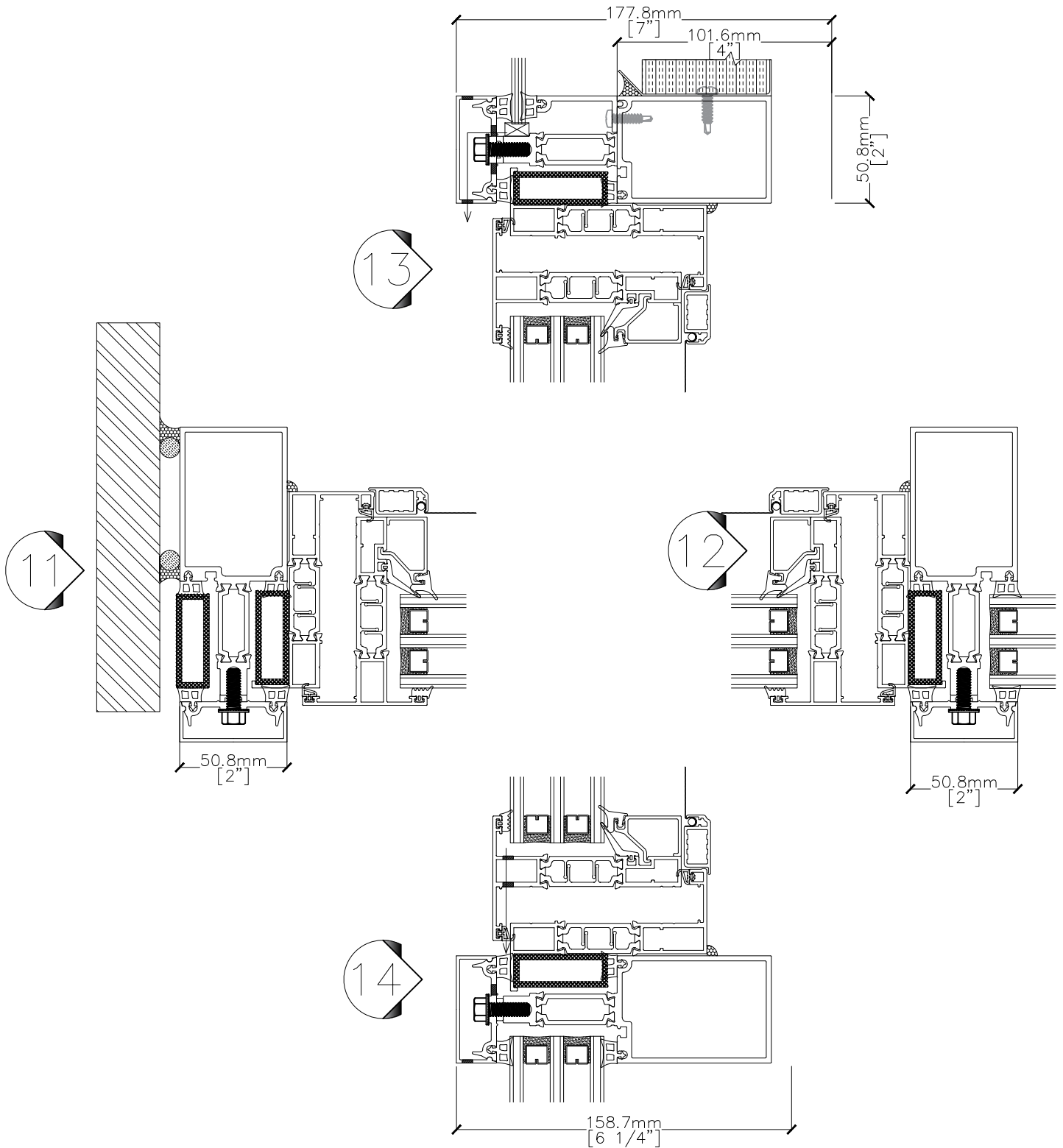
# 5200 CURTAIN WALL (Triple Glazed)

5200.10.30.3  
SECTION 73.0mm (2 7/8")



# 5200 CURTAIN WALL (Triple Glazed)

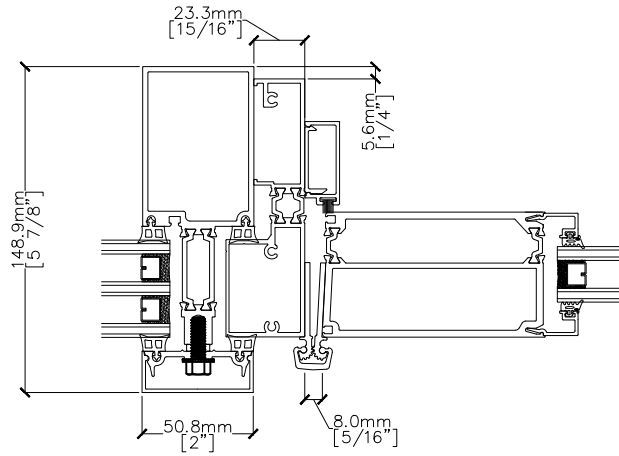
5200.10.30.4  
SECTION 73.0mm (2 7/8")



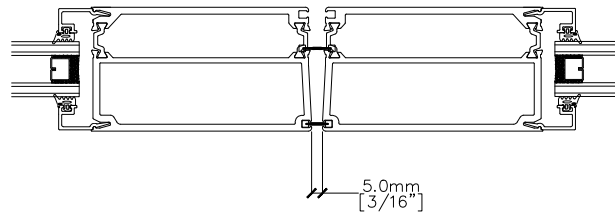
# 5200 CURTAIN WALL (Triple Glazed)

5200.10.30.5  
SECTION 73.0mm (2 7/8")

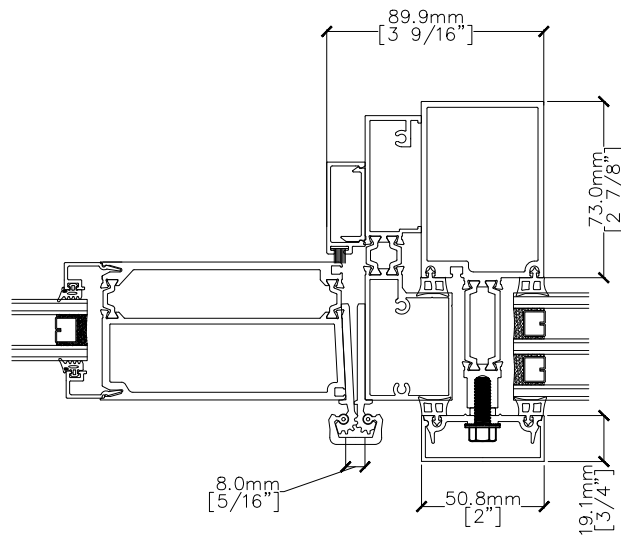
15



16

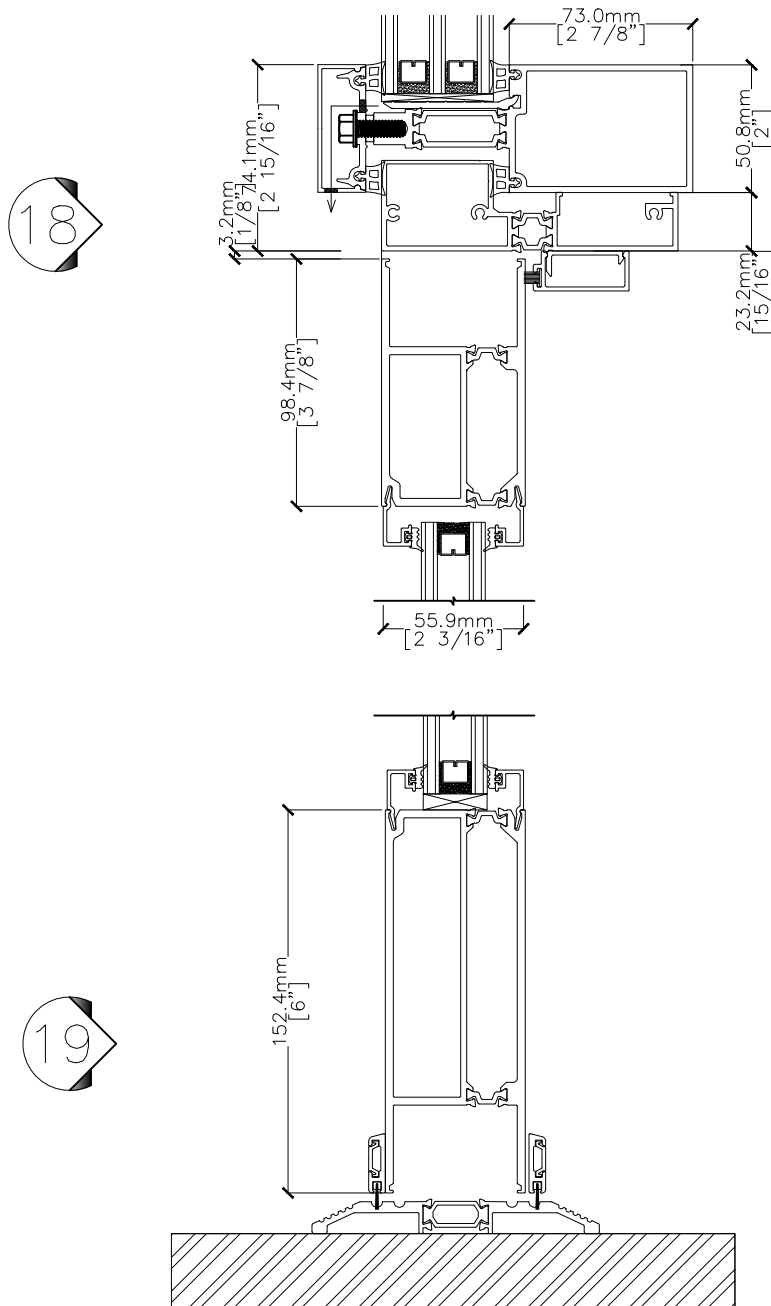


17



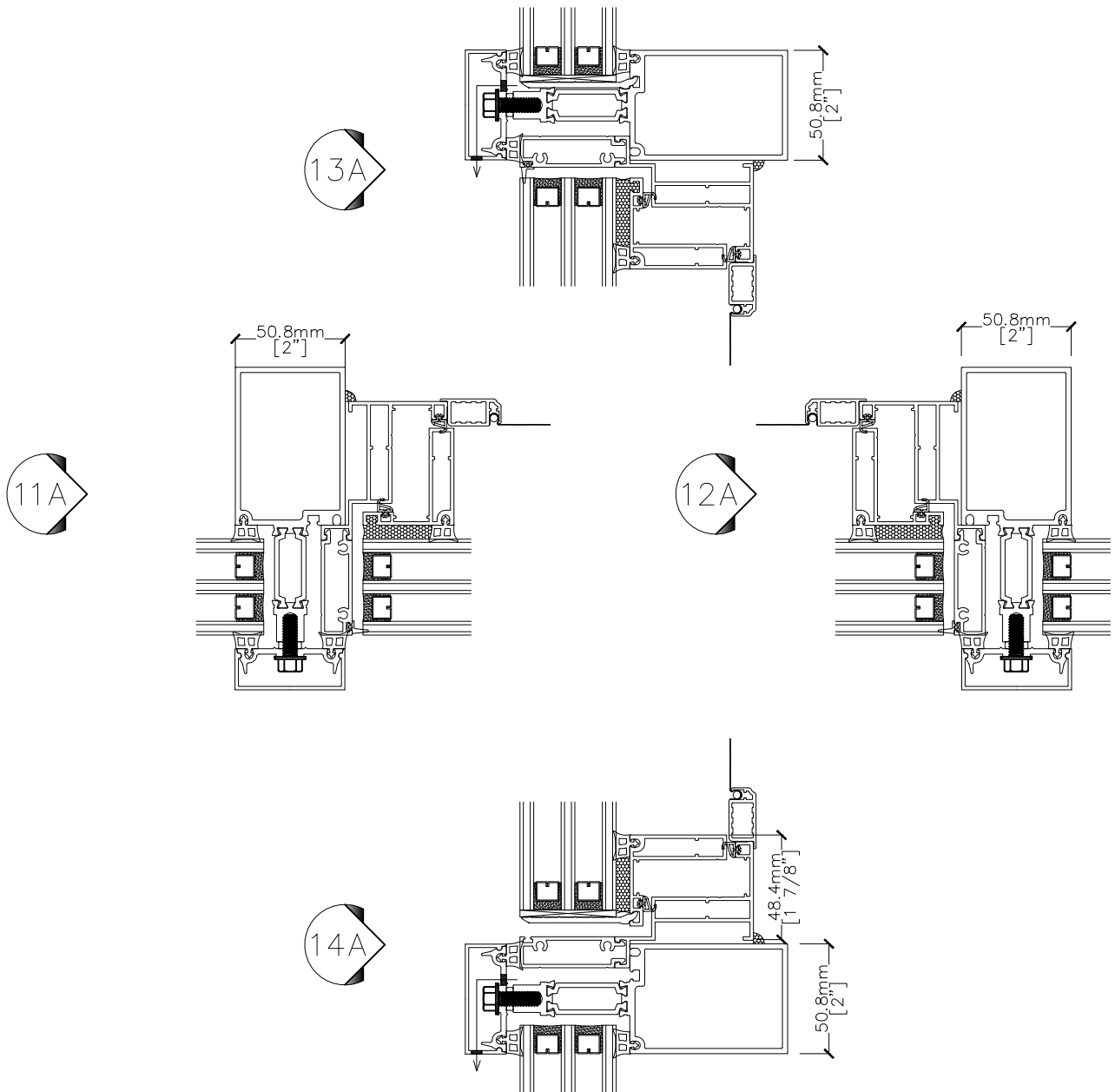
# 5200 CURTAIN WALL (Triple Glazed)

5200.10.30.6  
SECTION 73.0mm (2 7/8")



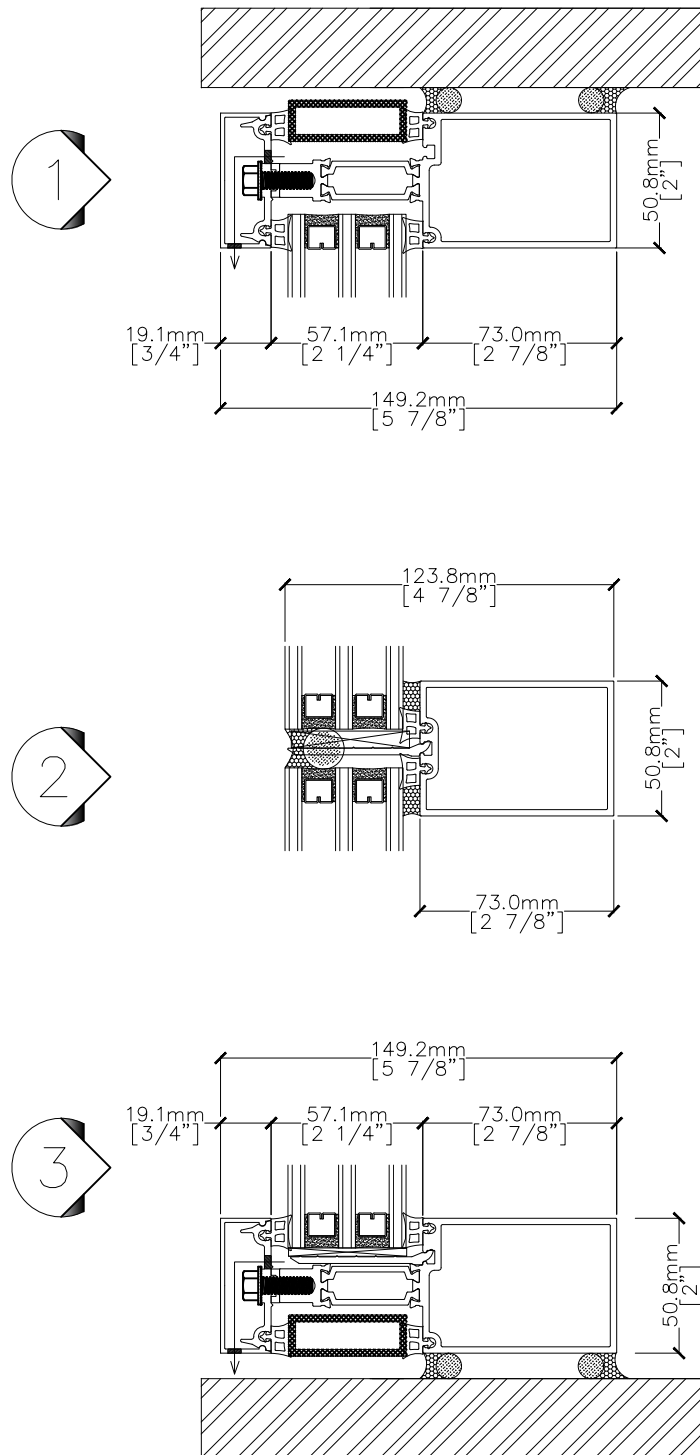
# 5200 CURTAIN WALL (Triple Glazed)

5200.10.30.7  
SECTION 73.0mm (2 7/8")



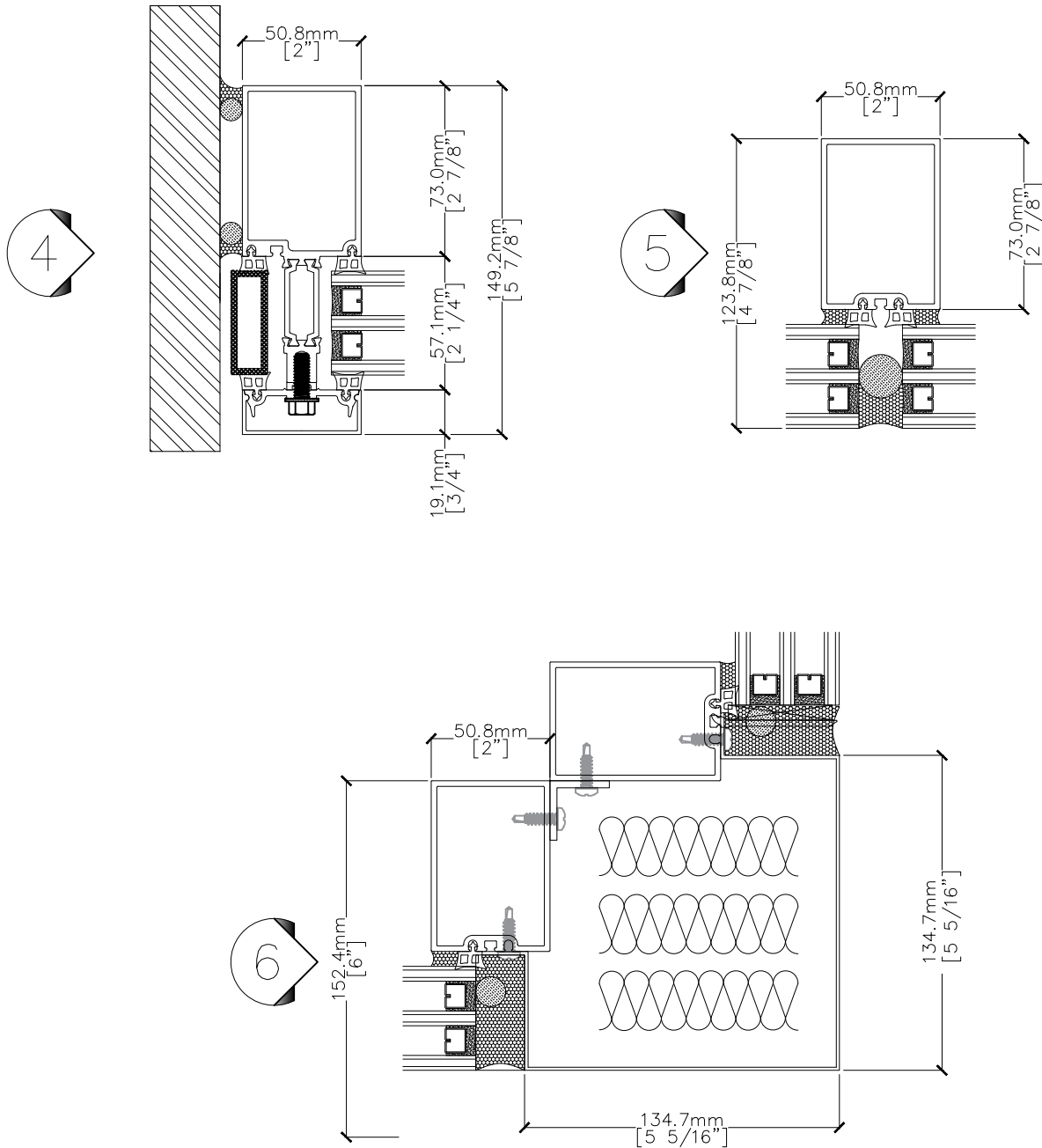
# 5200 CURTAIN WALL (Triple Glazed)

5200.10.35.1  
SECTION 73.0mm (2 7/8")



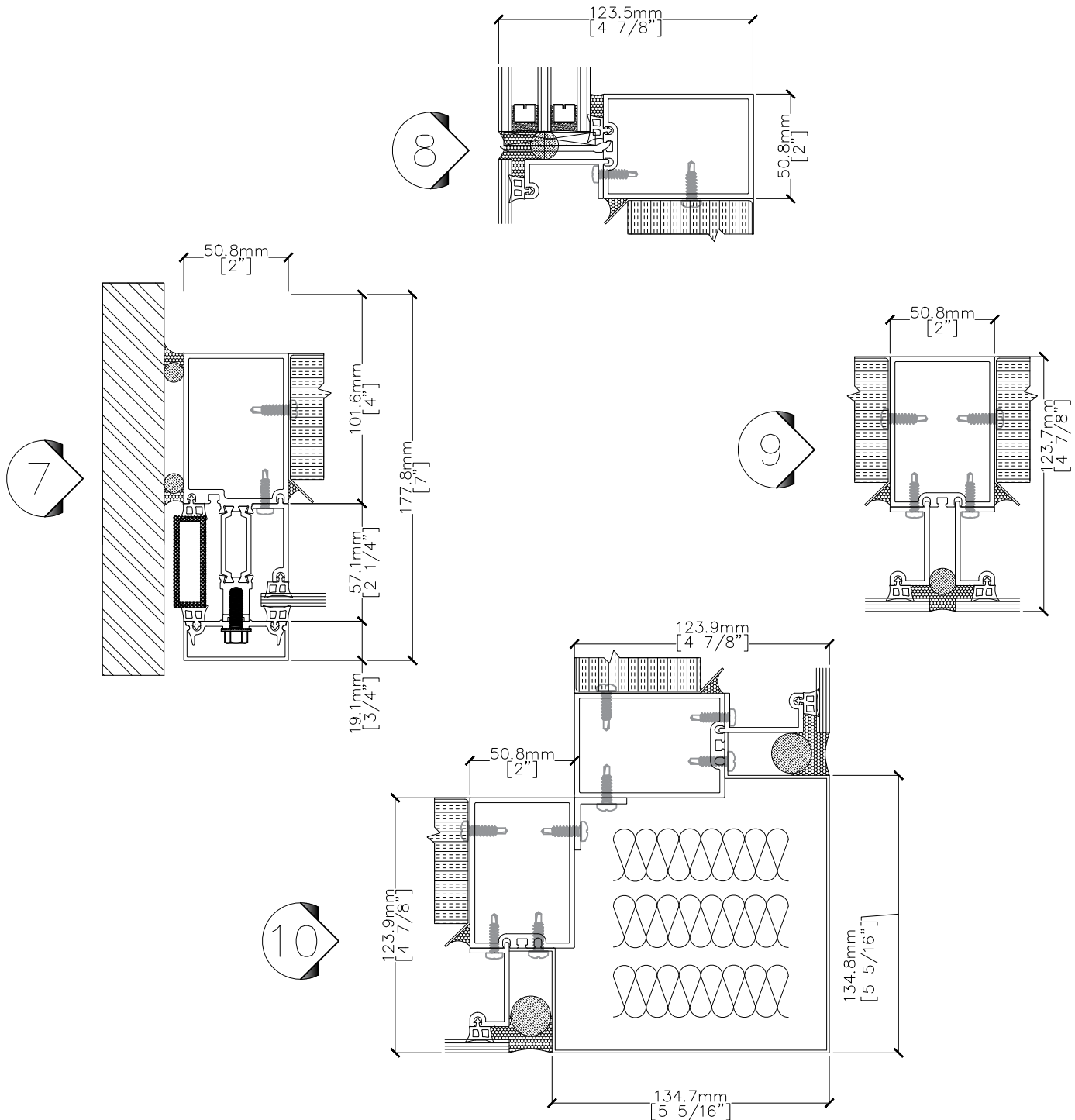
# 5200 CURTAIN WALL (Triple Glazed)

5200.10.35.2  
SECTION 73.0mm (2 7/8")



# 5200 CURTAIN WALL (Triple Glazed)

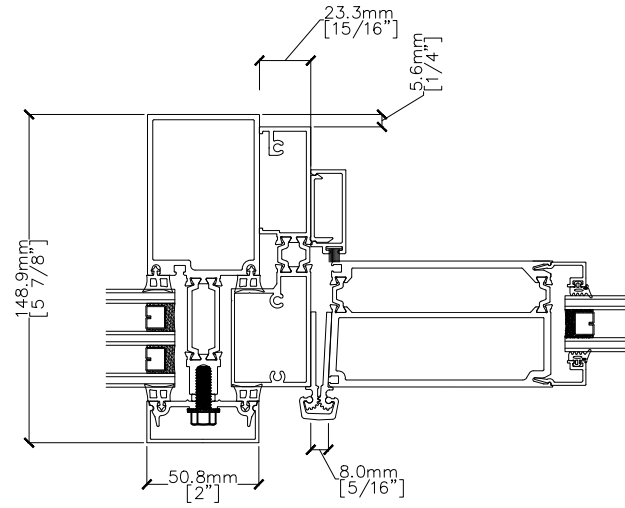
5200.10.35.3  
SECTION 73.0mm (2 7/8")



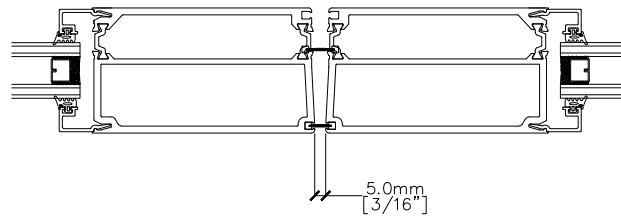
# 5200 CURTAIN WALL (Triple Glazed)

5200.10.35.4  
SECTION 73.0mm (2 7/8")

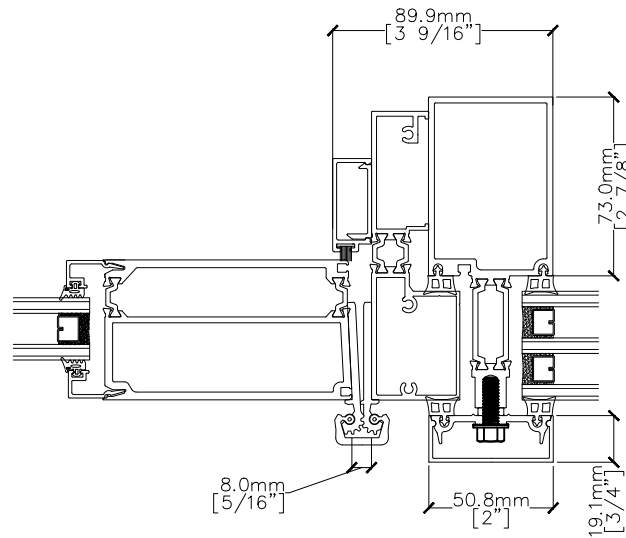
15



16

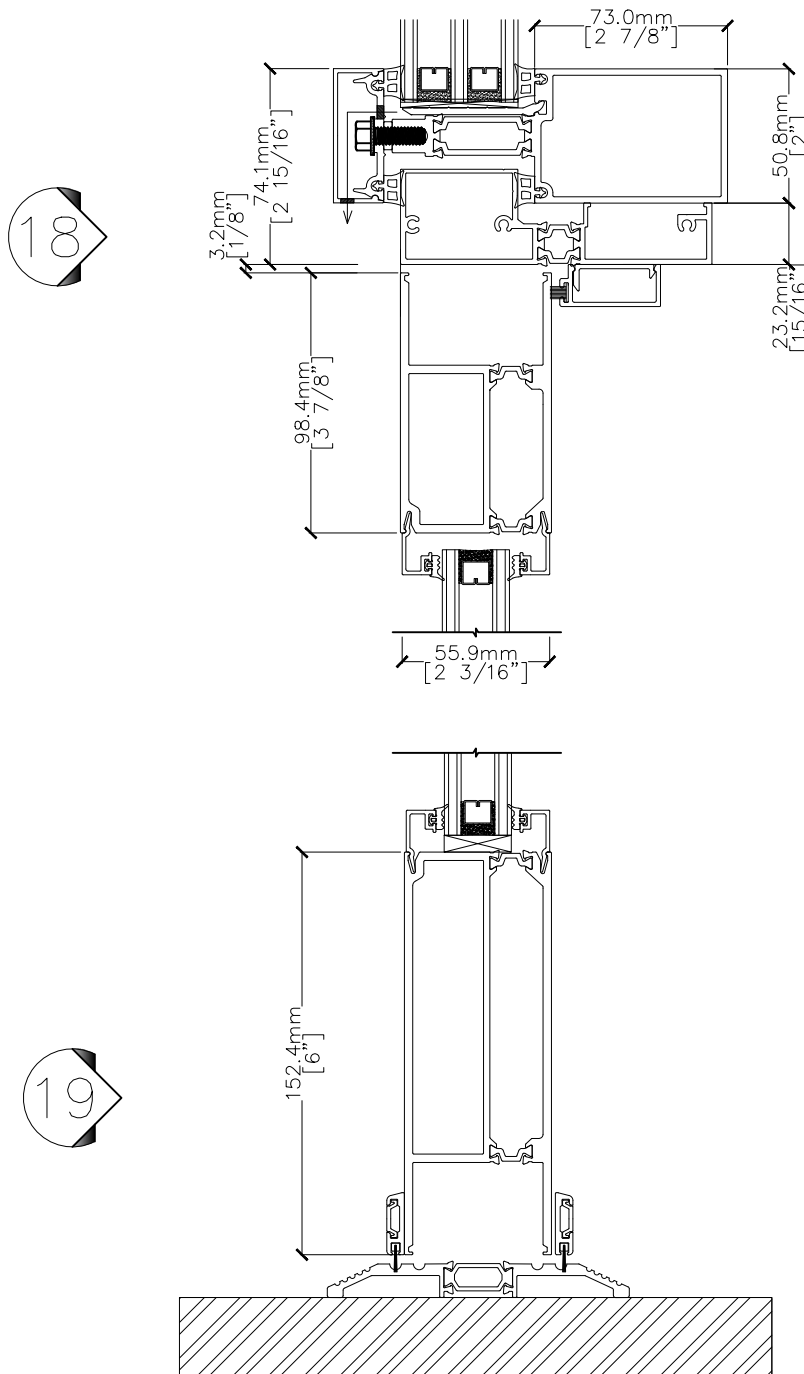


17



# 5200 CURTAIN WALL (Triple Glazed)

5200.10.35.5  
SECTION 73.0mm (2 7/8")



# 5200 CURTAIN WALL (Triple Glazed)

5200.10.35.6  
SECTION 73.0mm (2 7/8")

