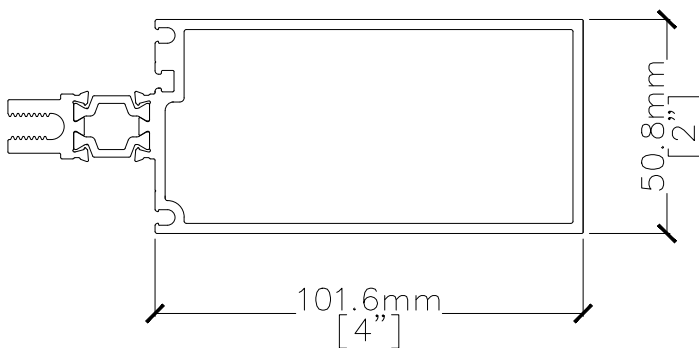


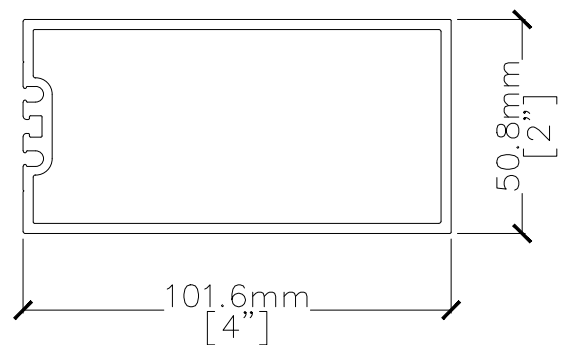
# CURTAIN WALL 5200

- Back section size: 50.8mmX101.6mm (2"X 4")
- Polyamide thermally broken aluminum system
- Exterior galzing configuration
- Rainscreen Design
- EPDM glazing gasket
- Accommodate double and triple glazing units
- SSG configuration available
- Integration with vents and door assemblies

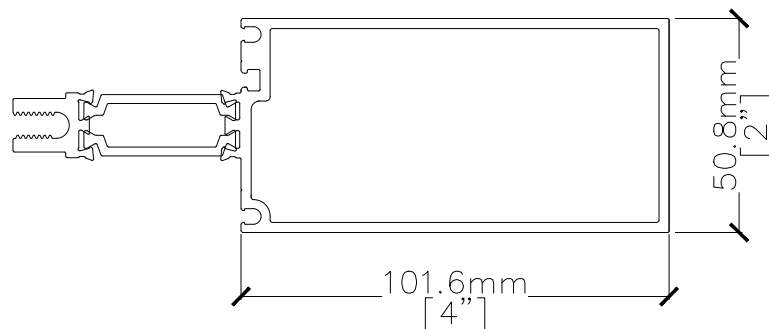
Capped Option (Double Glazed)



Structural Silicone Glazing

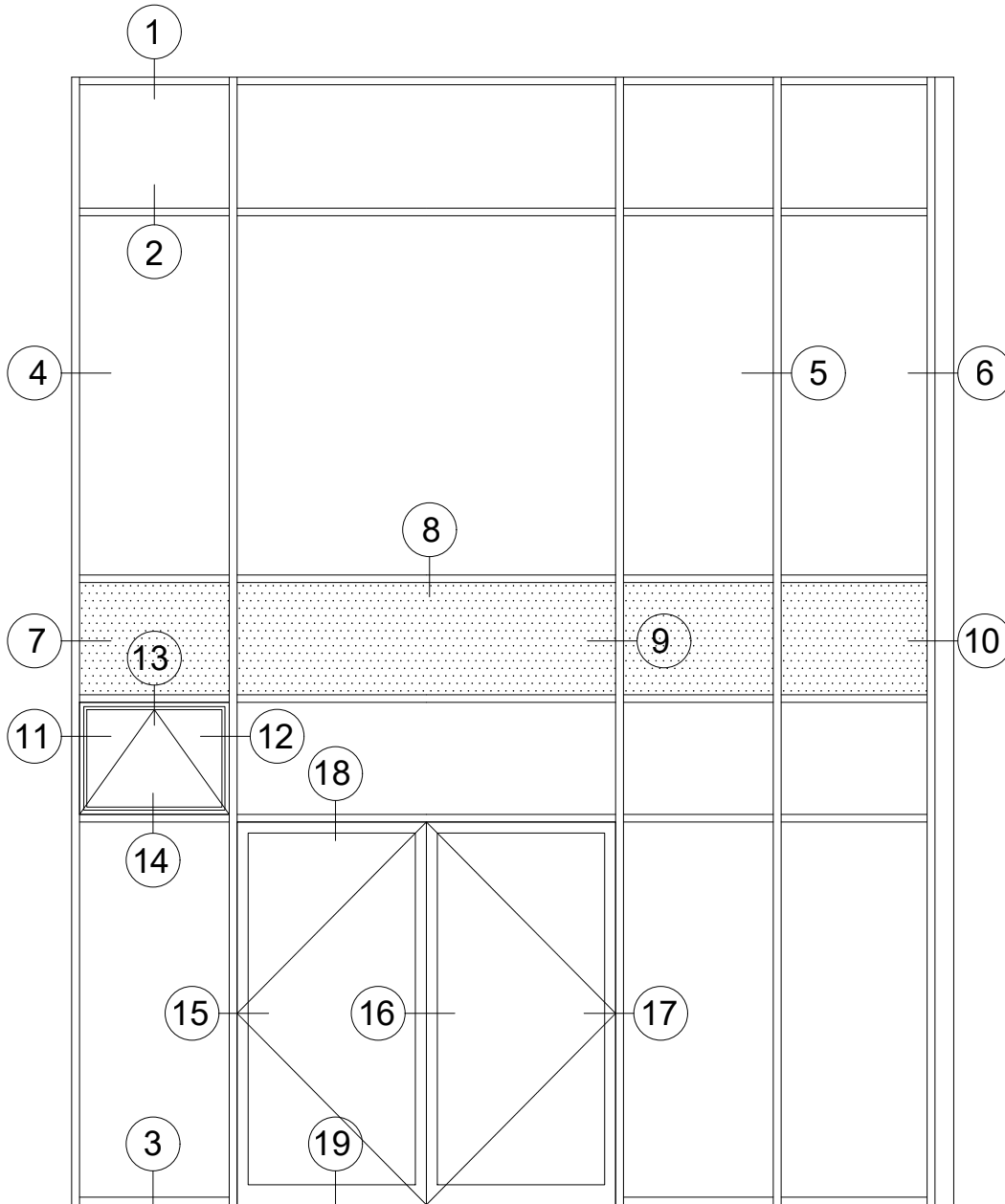


Capped Option (Triple Glazed)



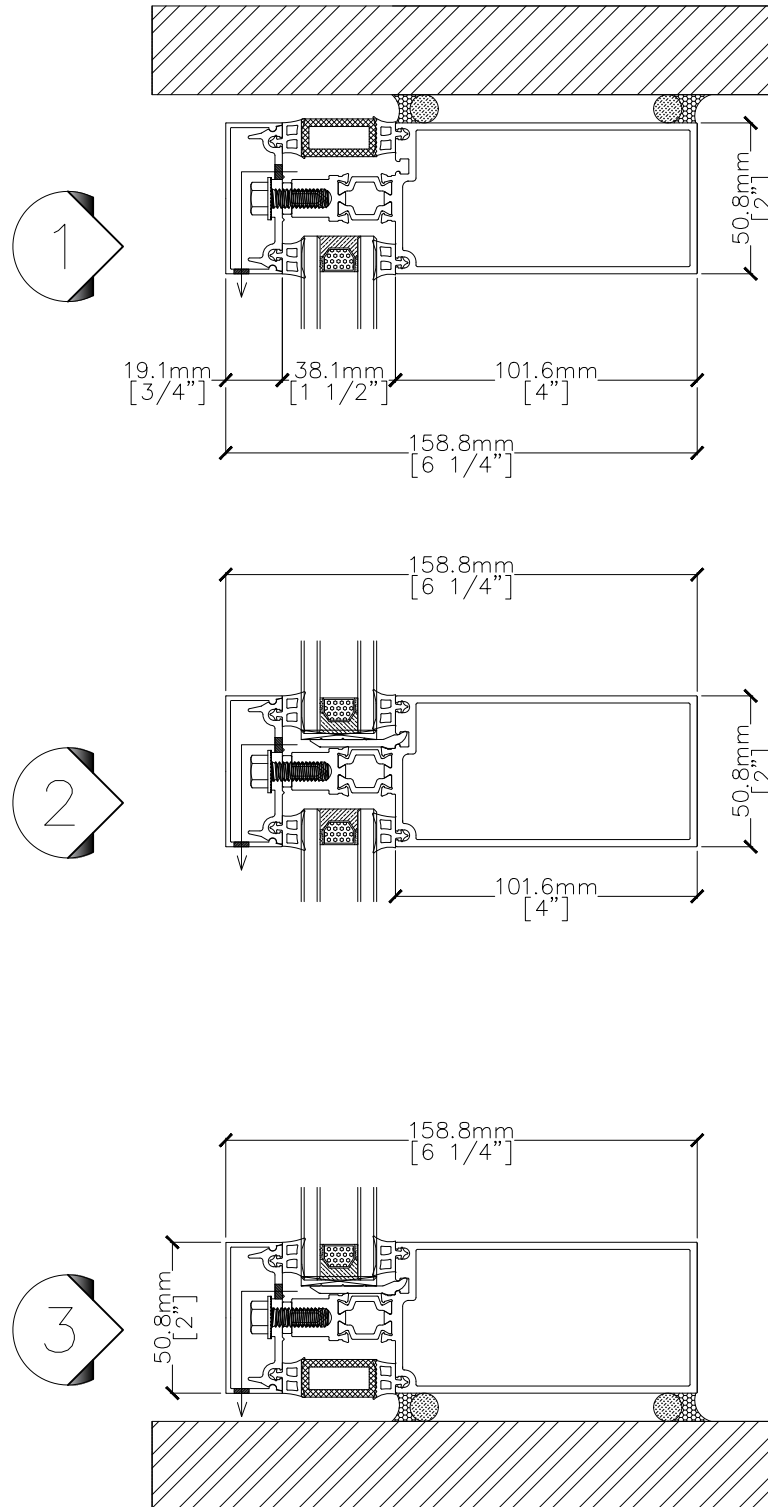
# 5200 CURTAIN WALL (Double Glazed)

5200.20.20.0  
SECTION 101.6mm (4")



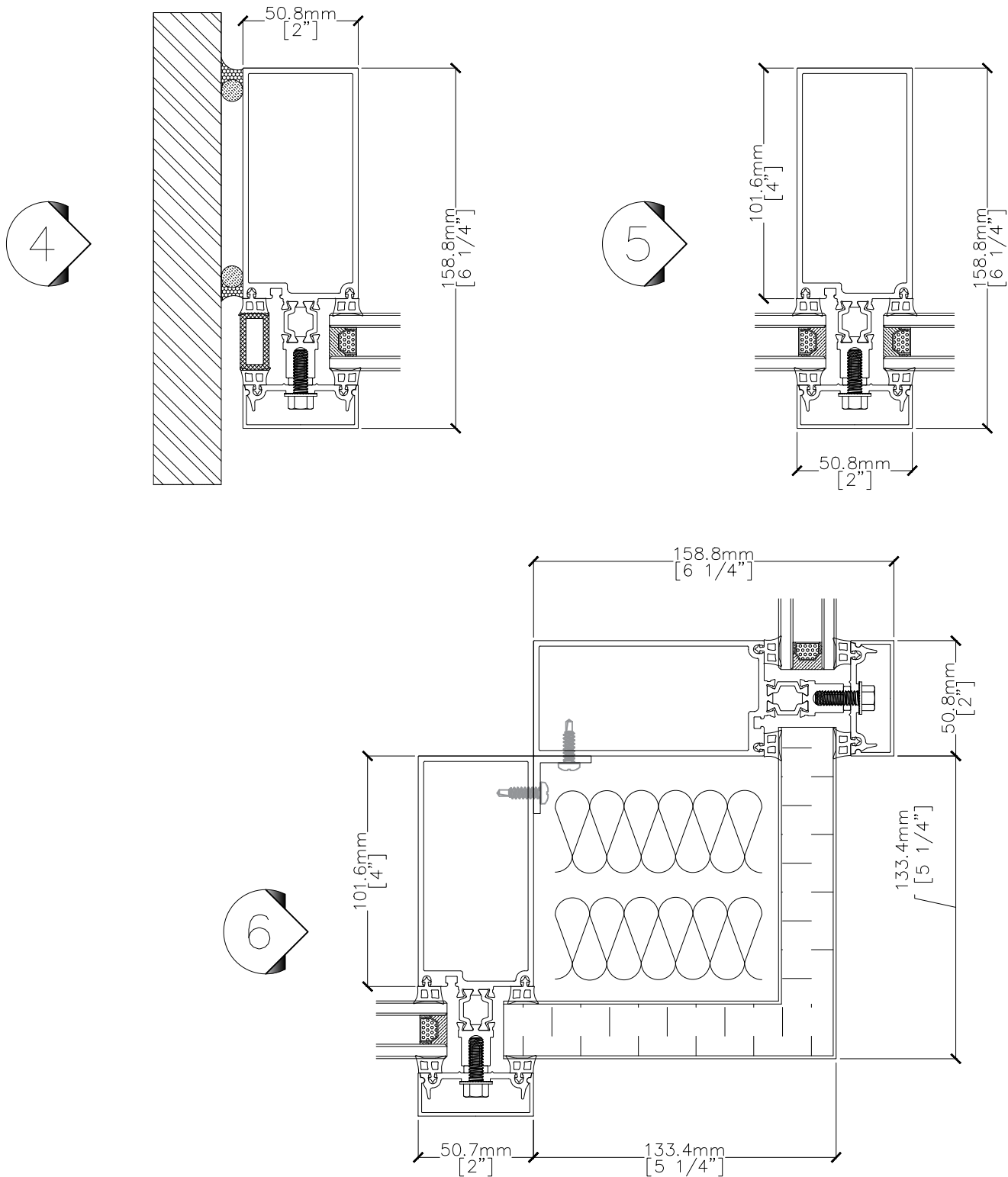
# 5200 CURTAIN WALL (Double Glazed)

5200.20.20.1  
SECTION 101.6mm (4")



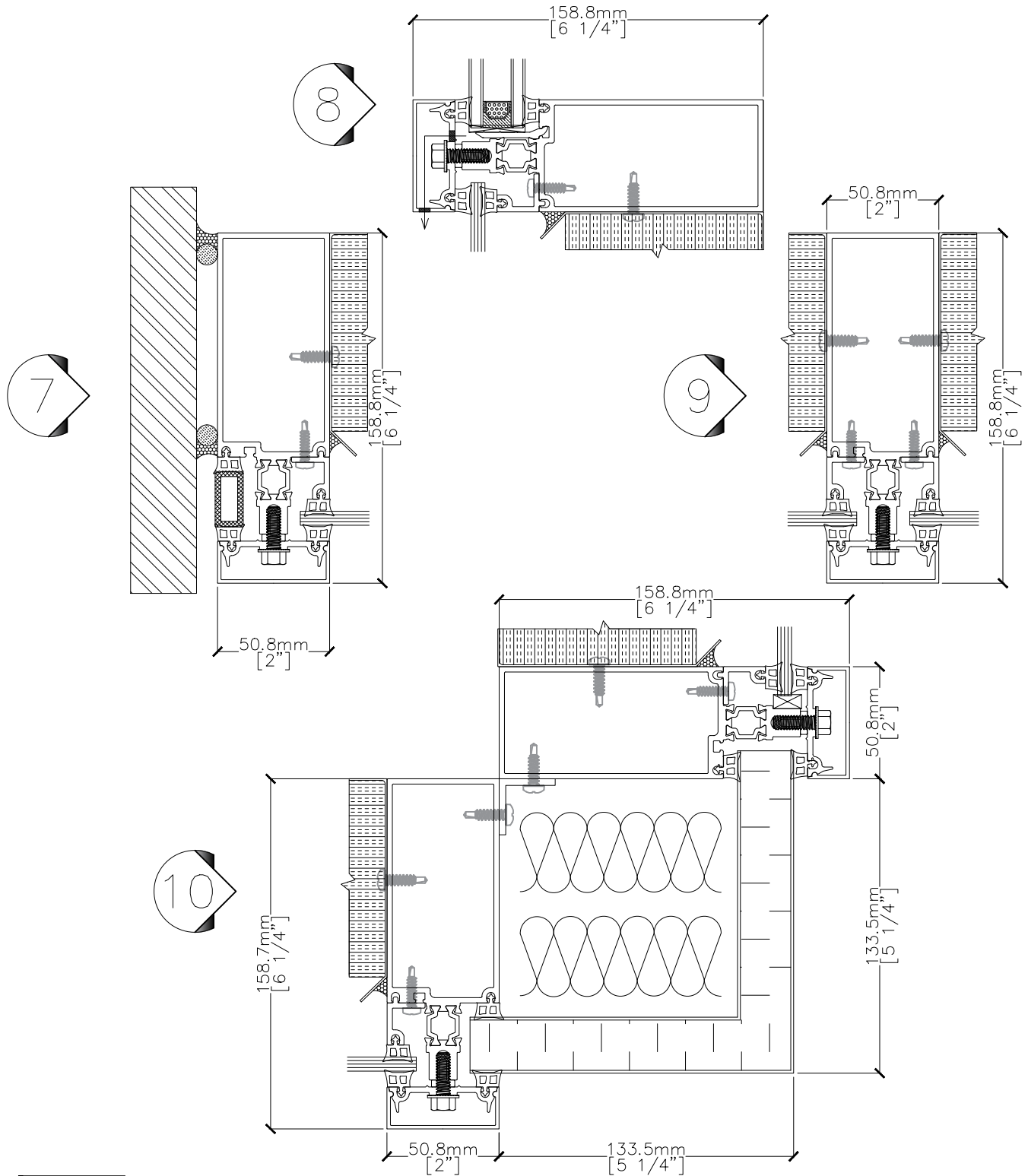
# 5200 CURTAIN WALL (Double Glazed)

5200.20.20.2  
SECTION 101.6mm (4")



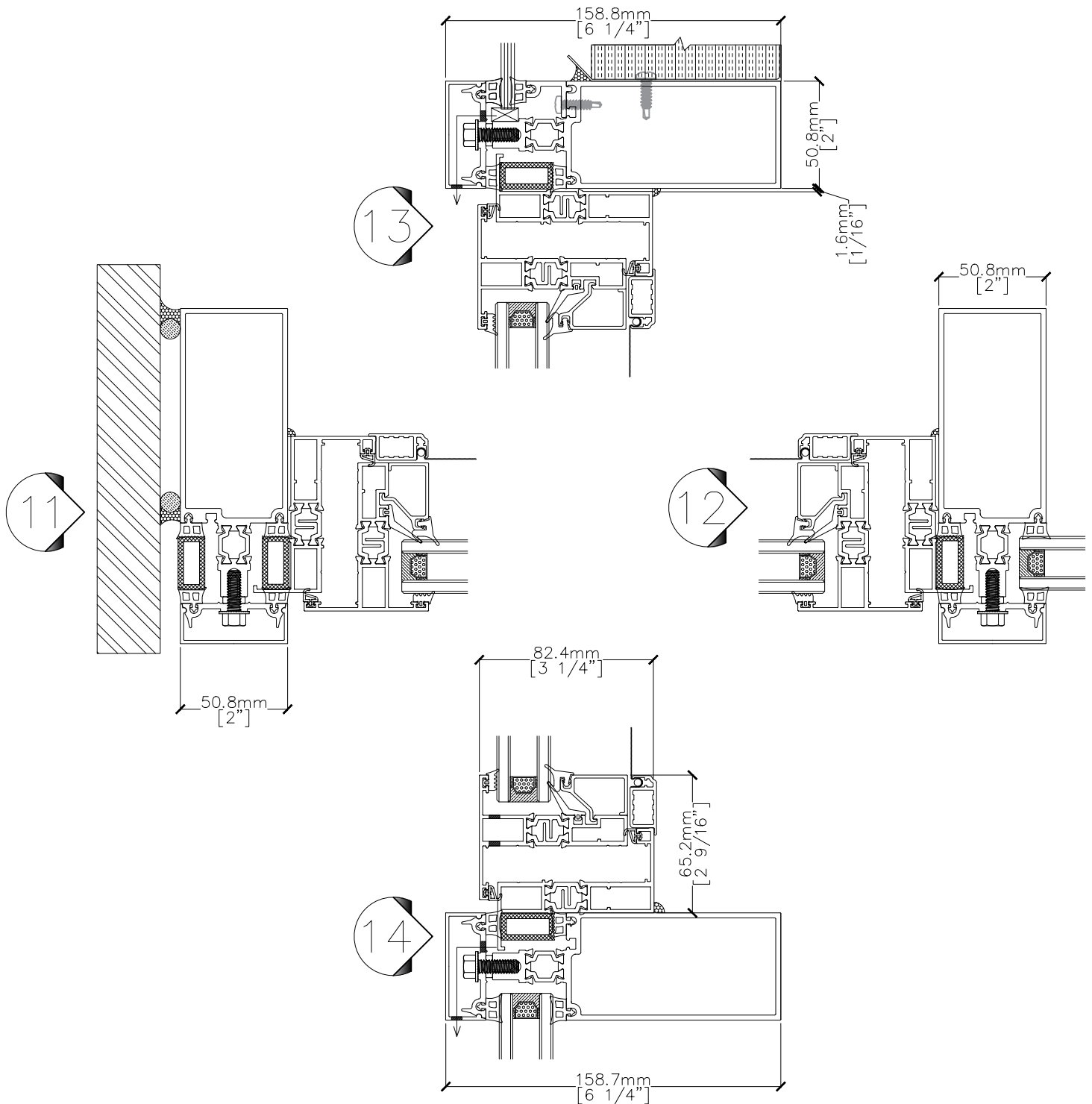
# 5200 CURTAIN WALL (Double Glazed)

5200.20.20.3  
SECTION 101.6mm (4")



# 5200 CURTAIN WALL (Double Glazed)

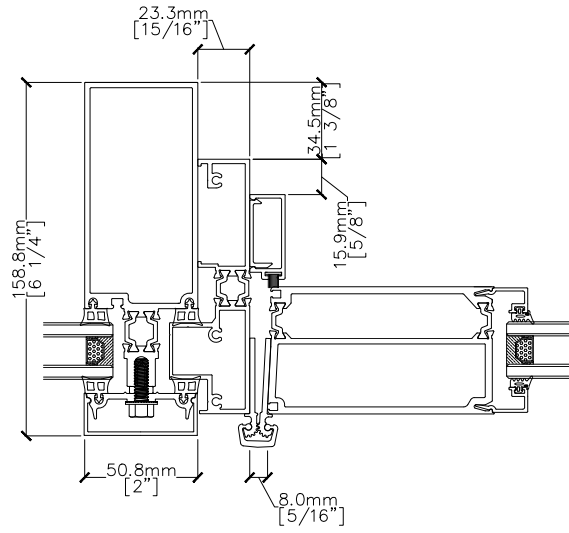
5200.20.20.4  
SECTION 101.6mm (4")



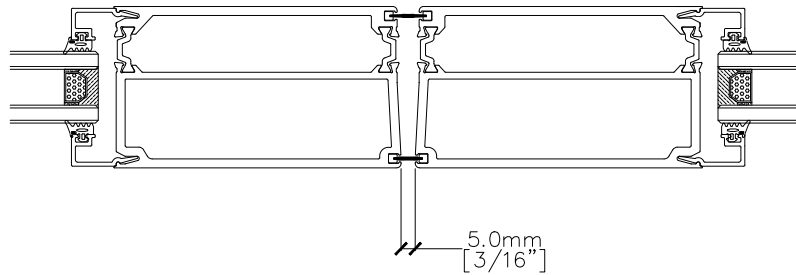
# 5200 CURTAIN WALL (Double Glazed)

5200.20.20.5  
SECTION 101.6mm (4")

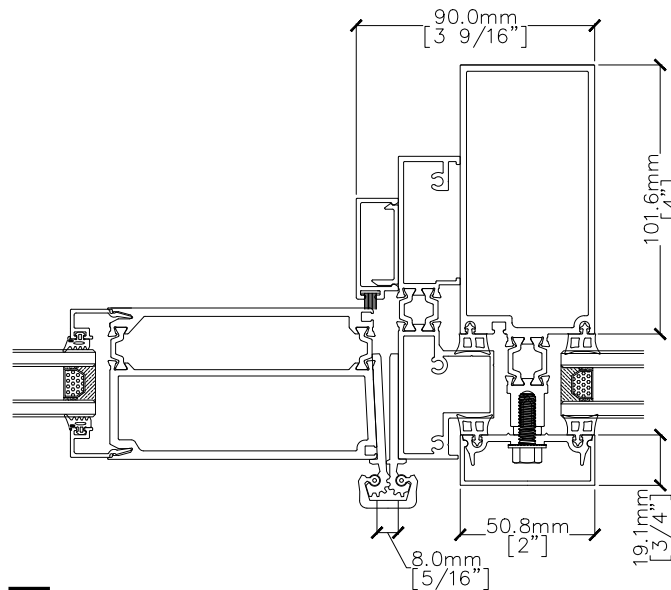
15



16

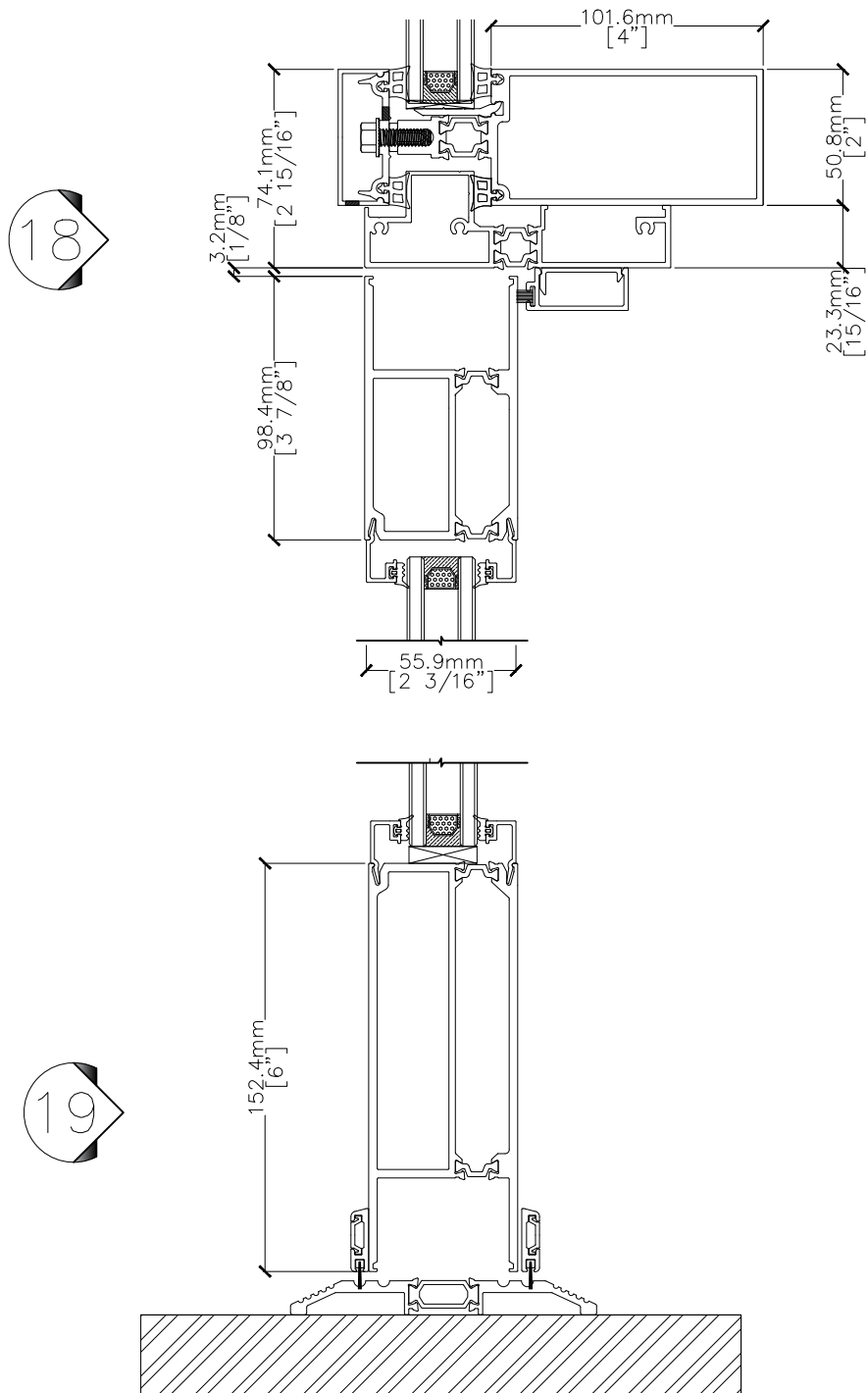


17



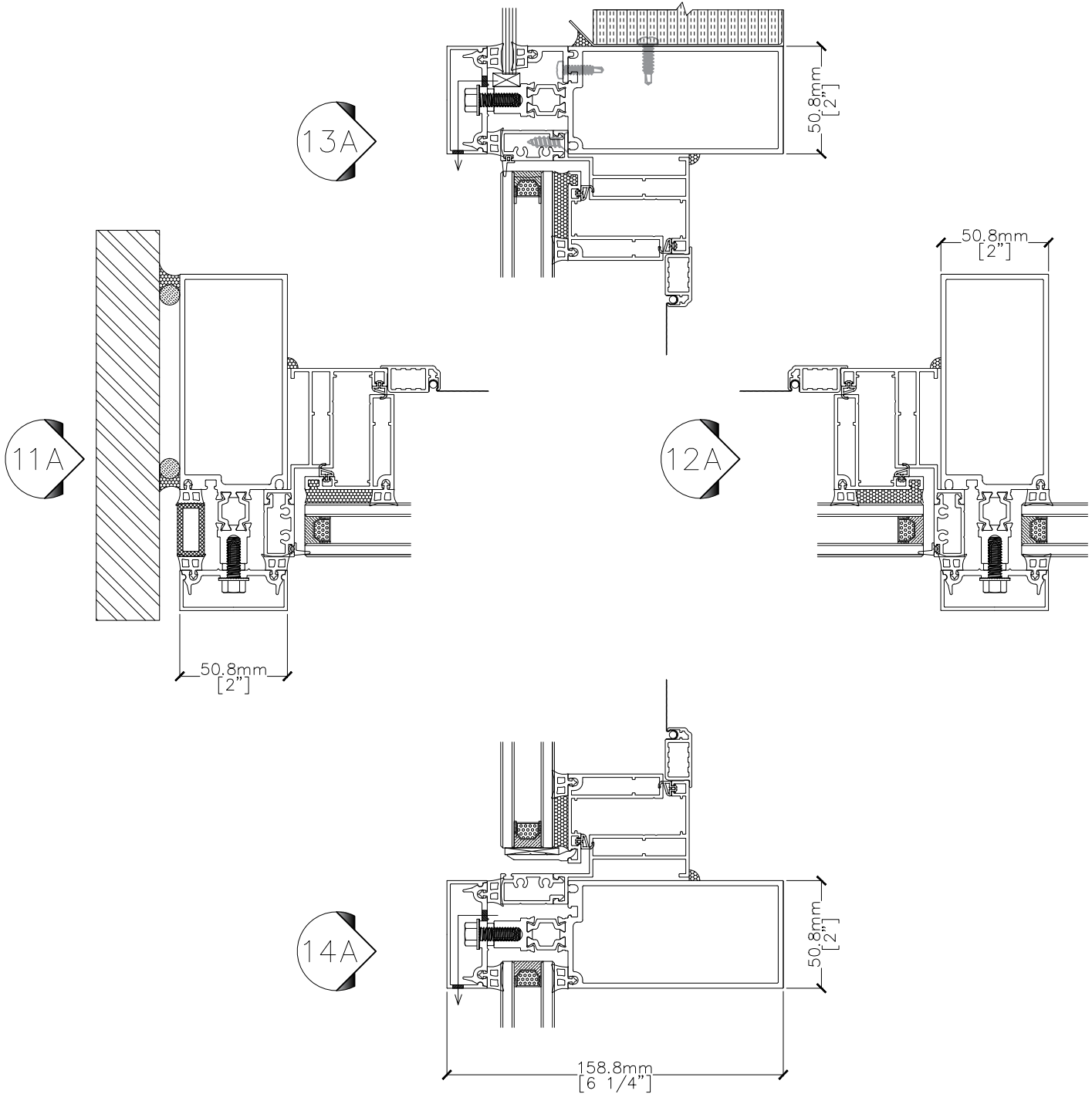
# 5200 CURTAIN WALL (Double Glazed)

5200.20.20.6  
SECTION 101.6mm (4")



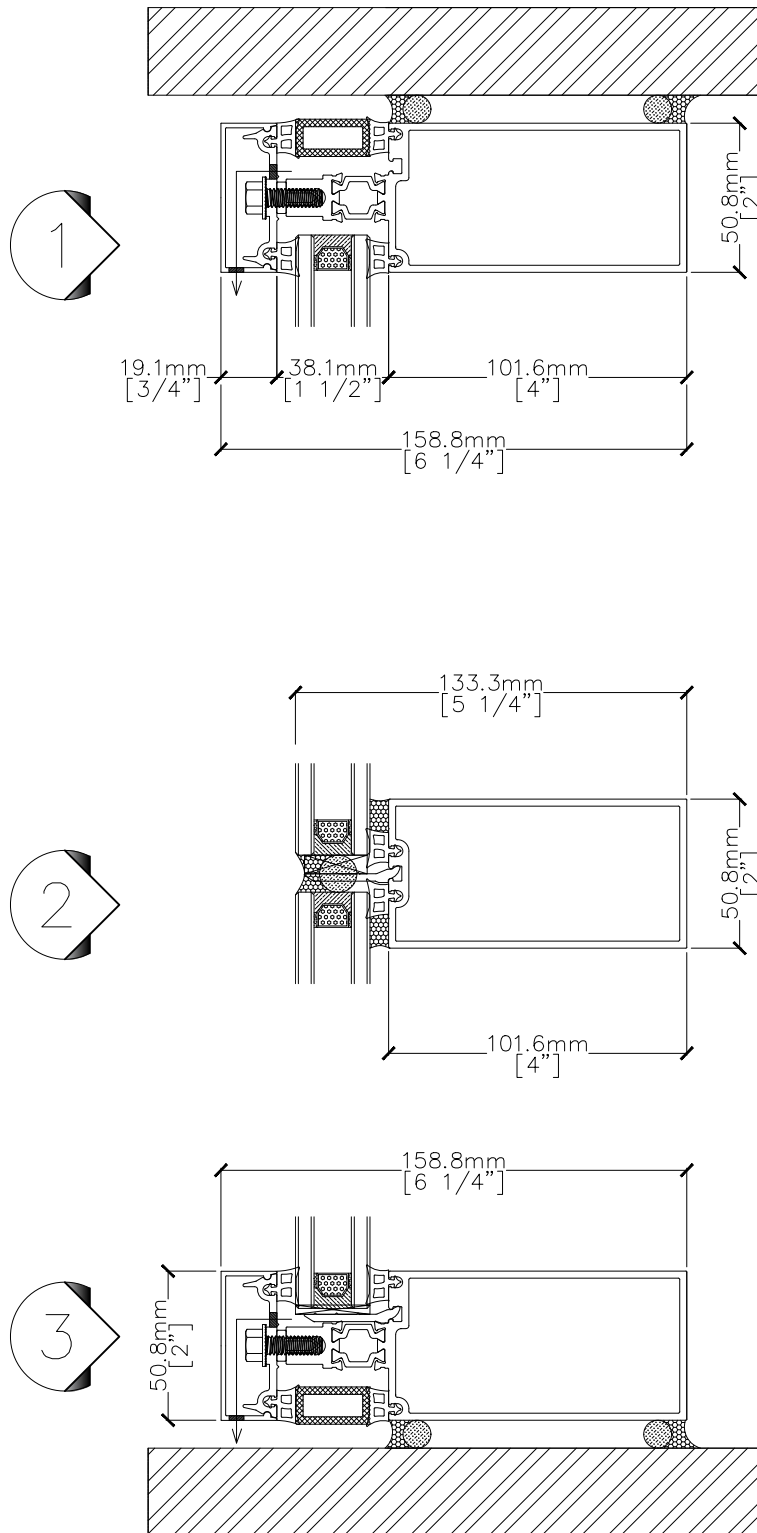
# 5200 CURTAIN WALL (Double Glazed)

5200.20.20.7  
SECTION 101.6mm (4")



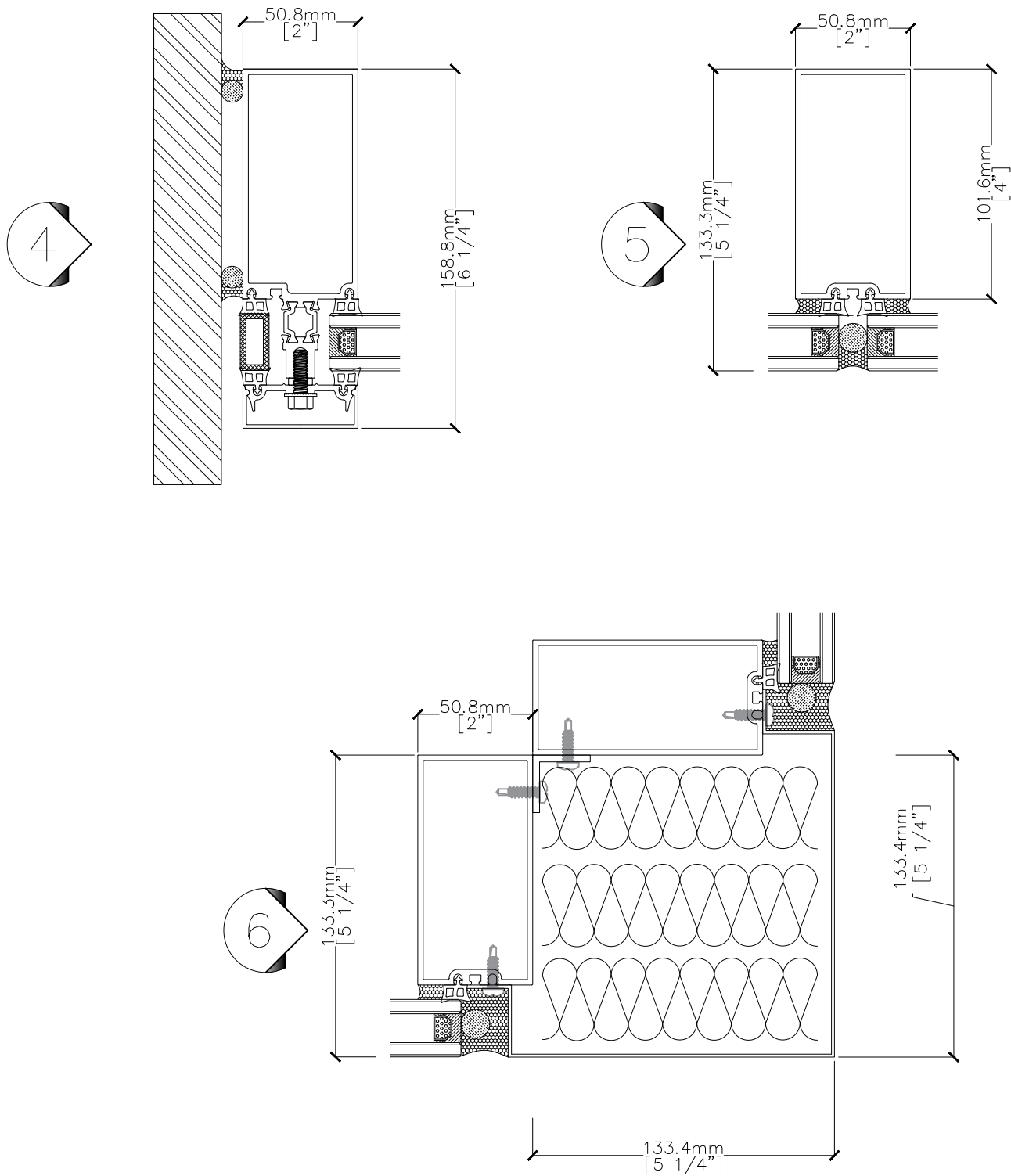
# 5200 CURTAIN WALL (Double Glazed)

5200.20.25.1  
SECTION 101.6mm (4")



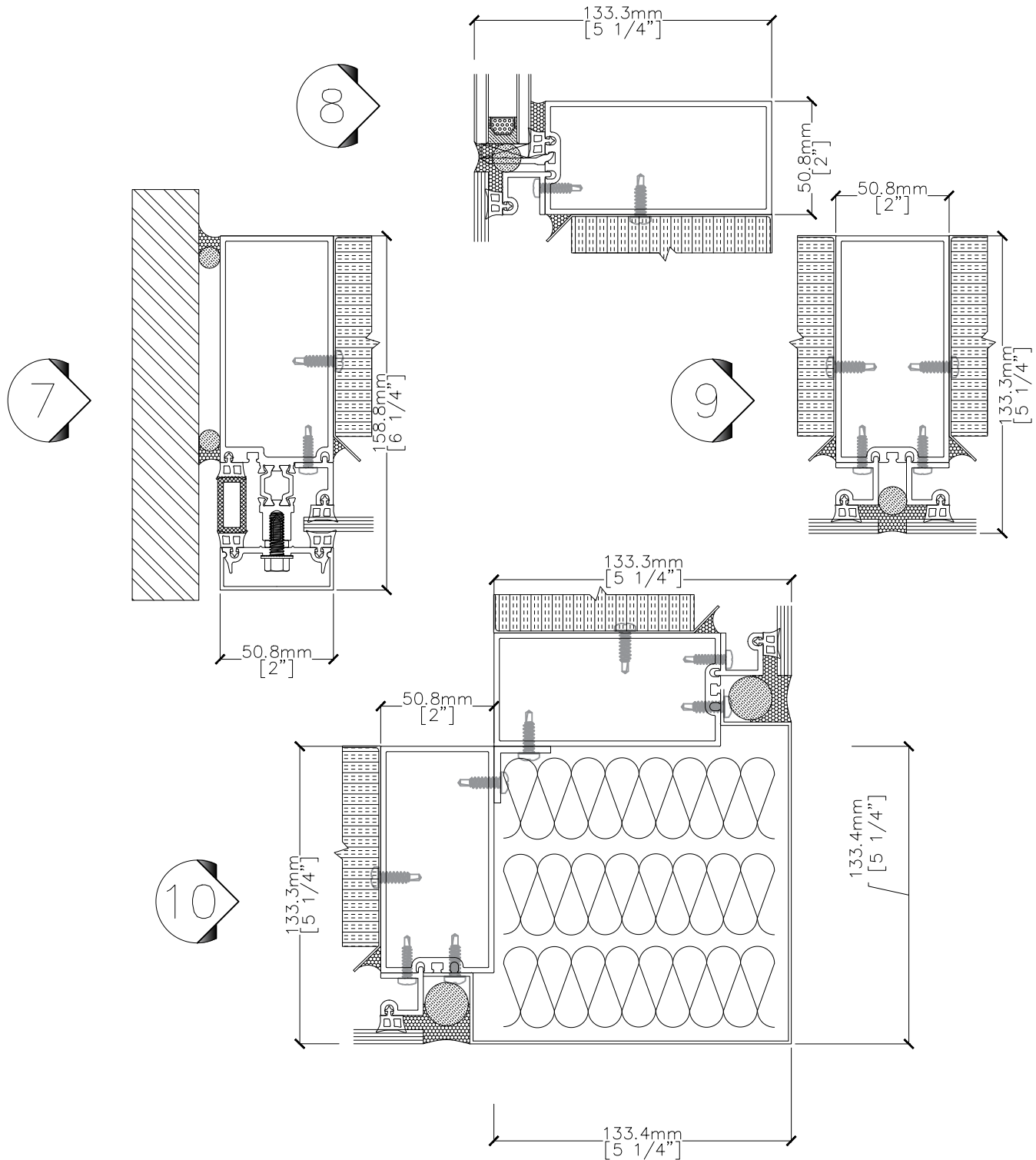
# 5200 CURTAIN WALL (Double Glazed)

5200.20.25.2  
SECTION 101.6mm (4")



# 5200 CURTAIN WALL (Double Glazed)

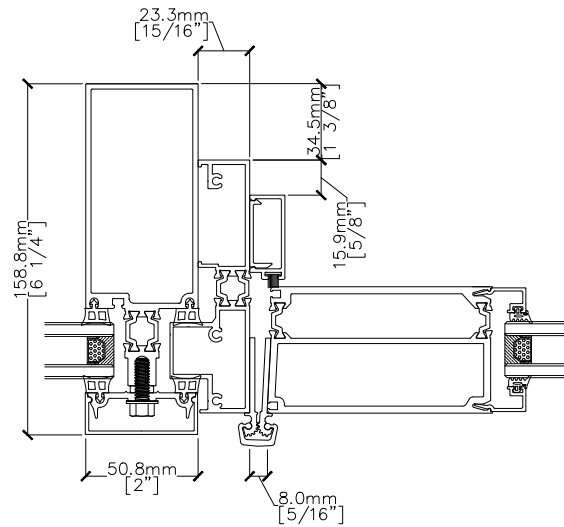
5200.20.25.3  
SECTION 101.6mm (4")



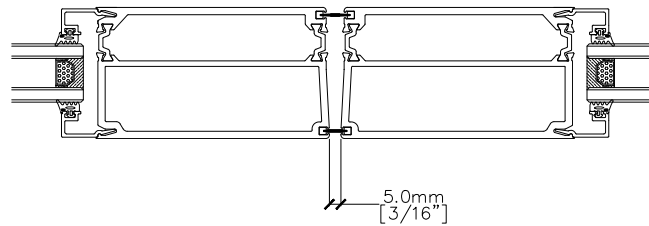
# 5200 CURTAIN WALL (Double Glazed)

5200.20.25.4  
SECTION 101.6mm (4")

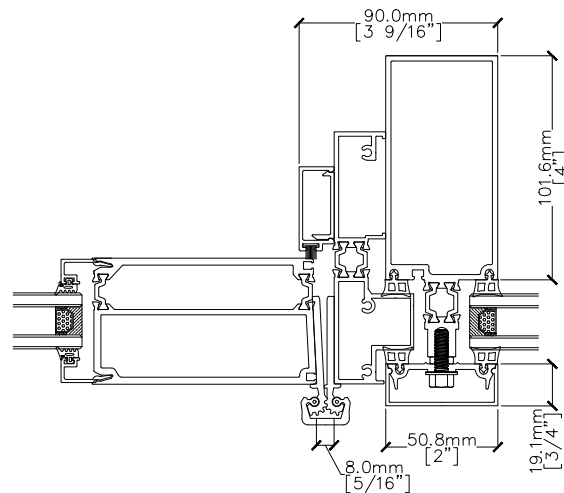
15



16

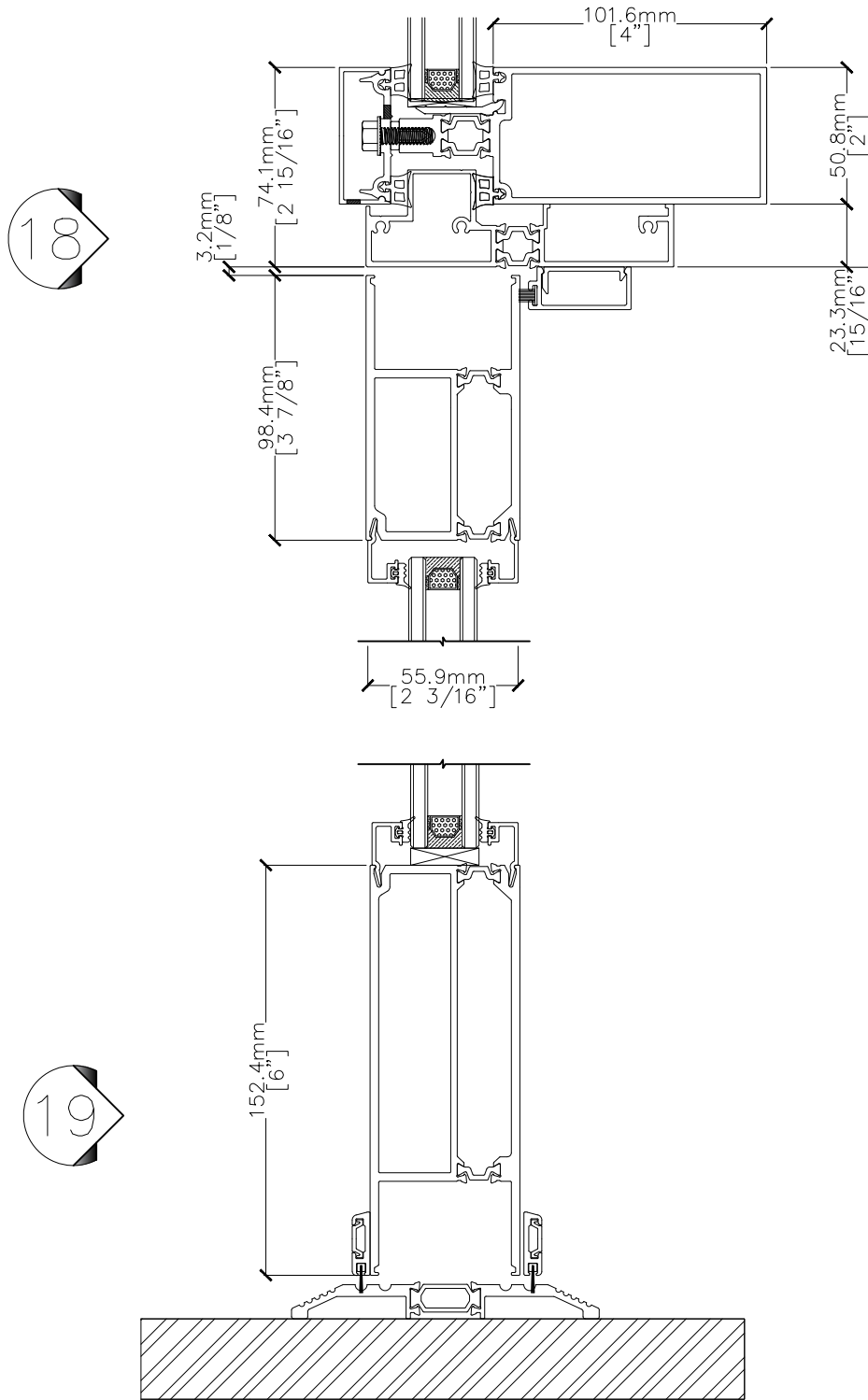


17



# 5200 CURTAIN WALL (Double Glazed)

5200.20.25.5  
SECTION 101.6mm (4")



# 5200 CURTAIN WALL (Double Glazed)

5200.20.25.6  
SECTION 101.6mm (4")

