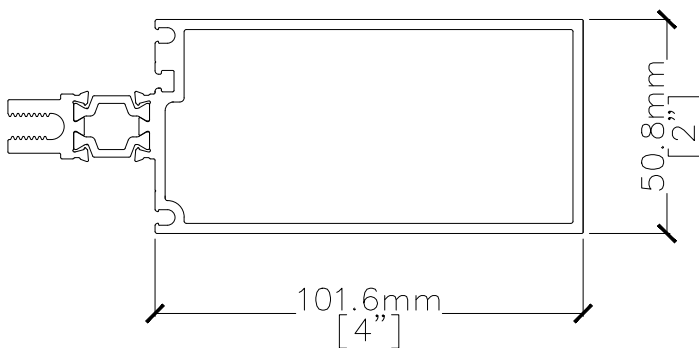


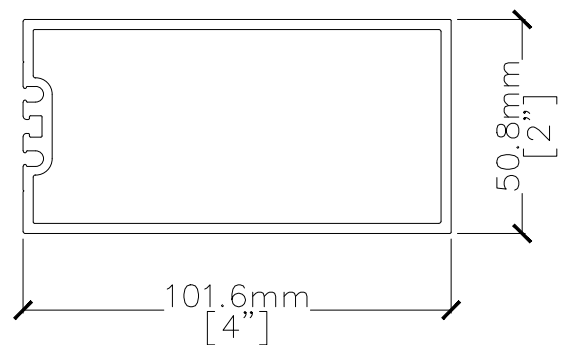
CURTAIN WALL 5200

- Back section size: 50.8mmX101.6mm (2"X 4")
- Polyamide thermally broken aluminum system
- Exterior galzing configuration
- Rainscreen Design
- EPDM glazing gasket
- Accommodate double and triple glazing units
- SSG configuration available
- Integration with vents and door assemblies

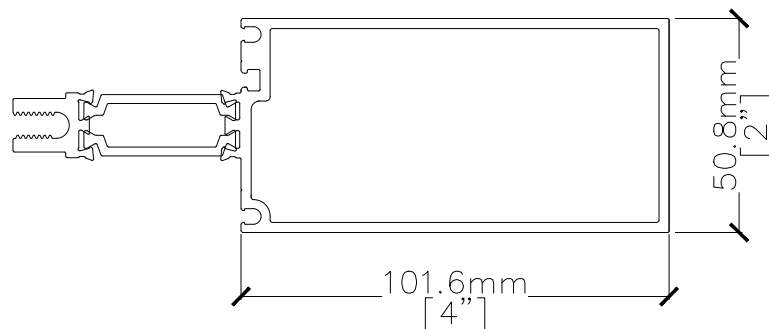
Capped Option (Double Glazed)



Structural Silicone Glazing

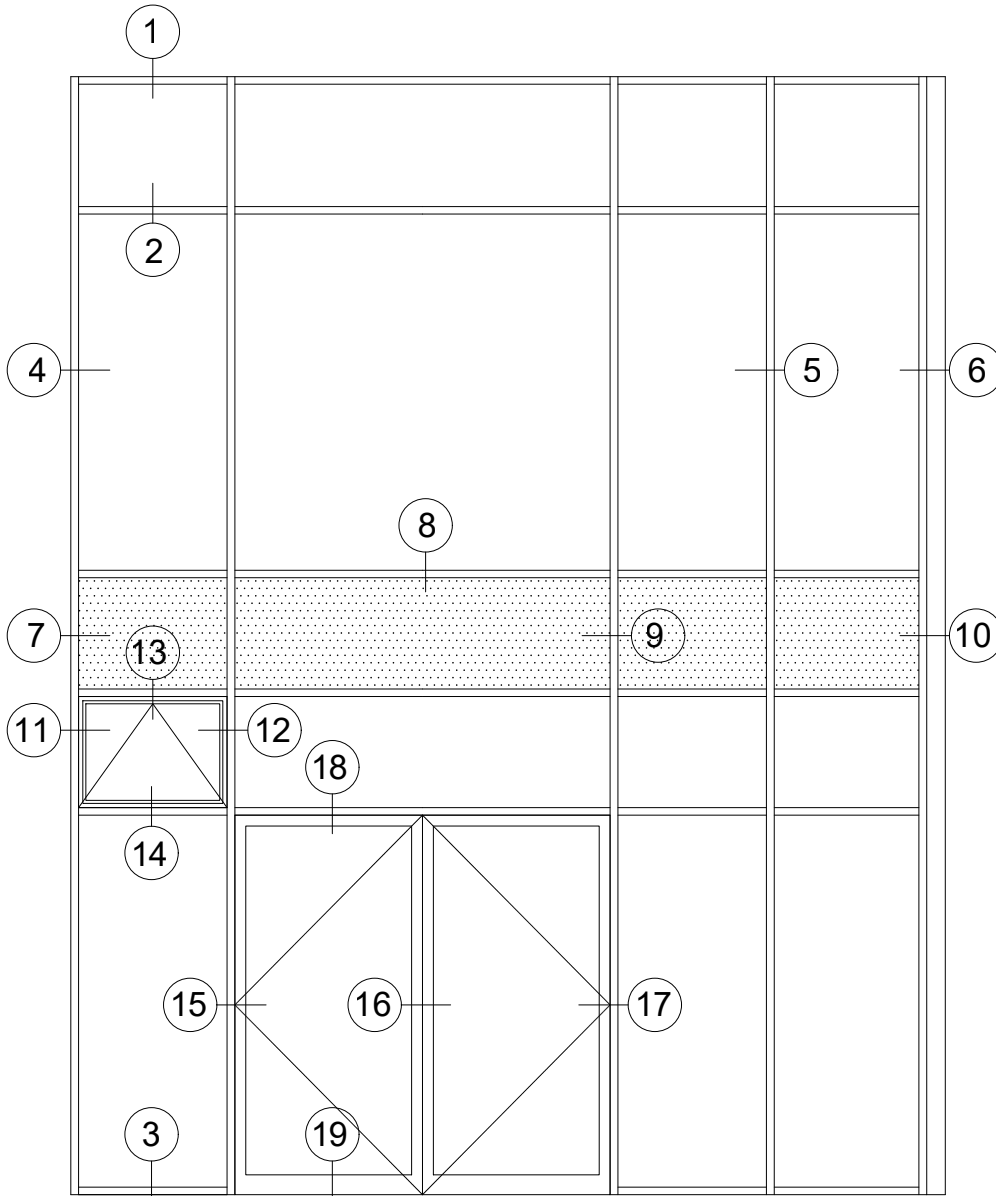


Capped Option (Triple Glazed)



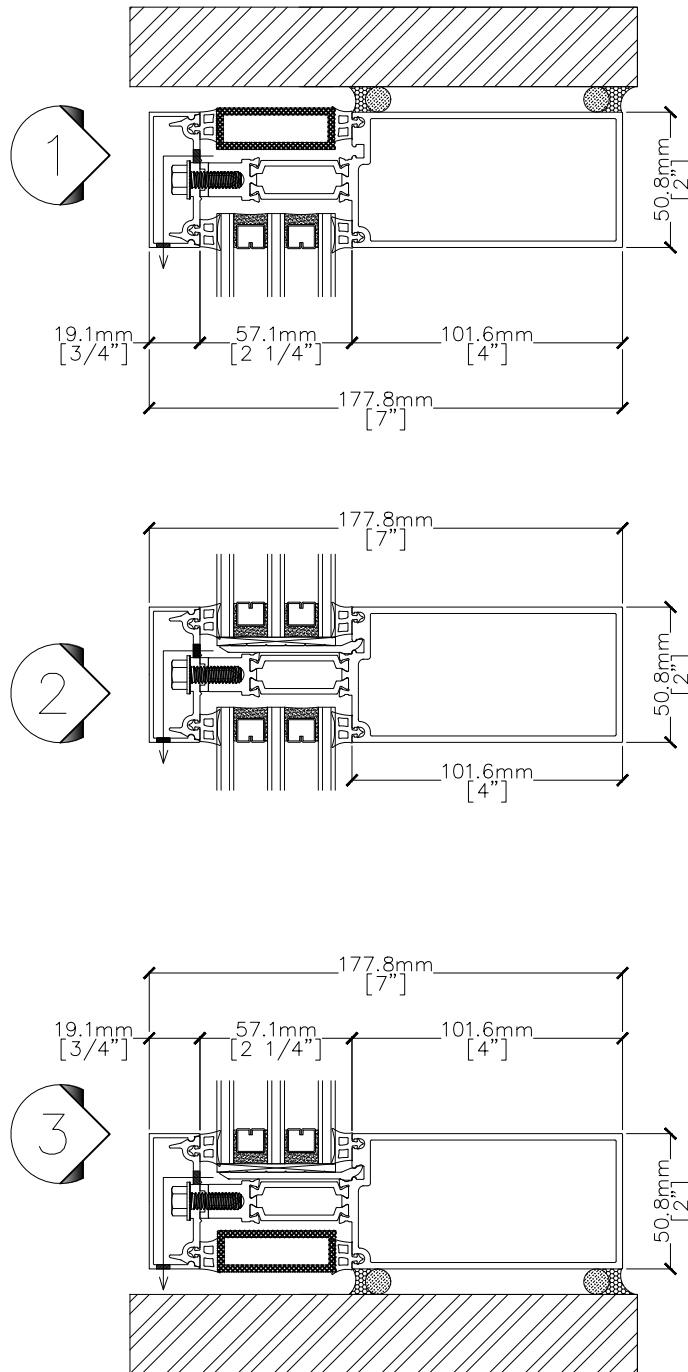
5200 CURTAIN WALL (Triple Glazed)

5200.20.30.0
SECTION 101.6mm (4")



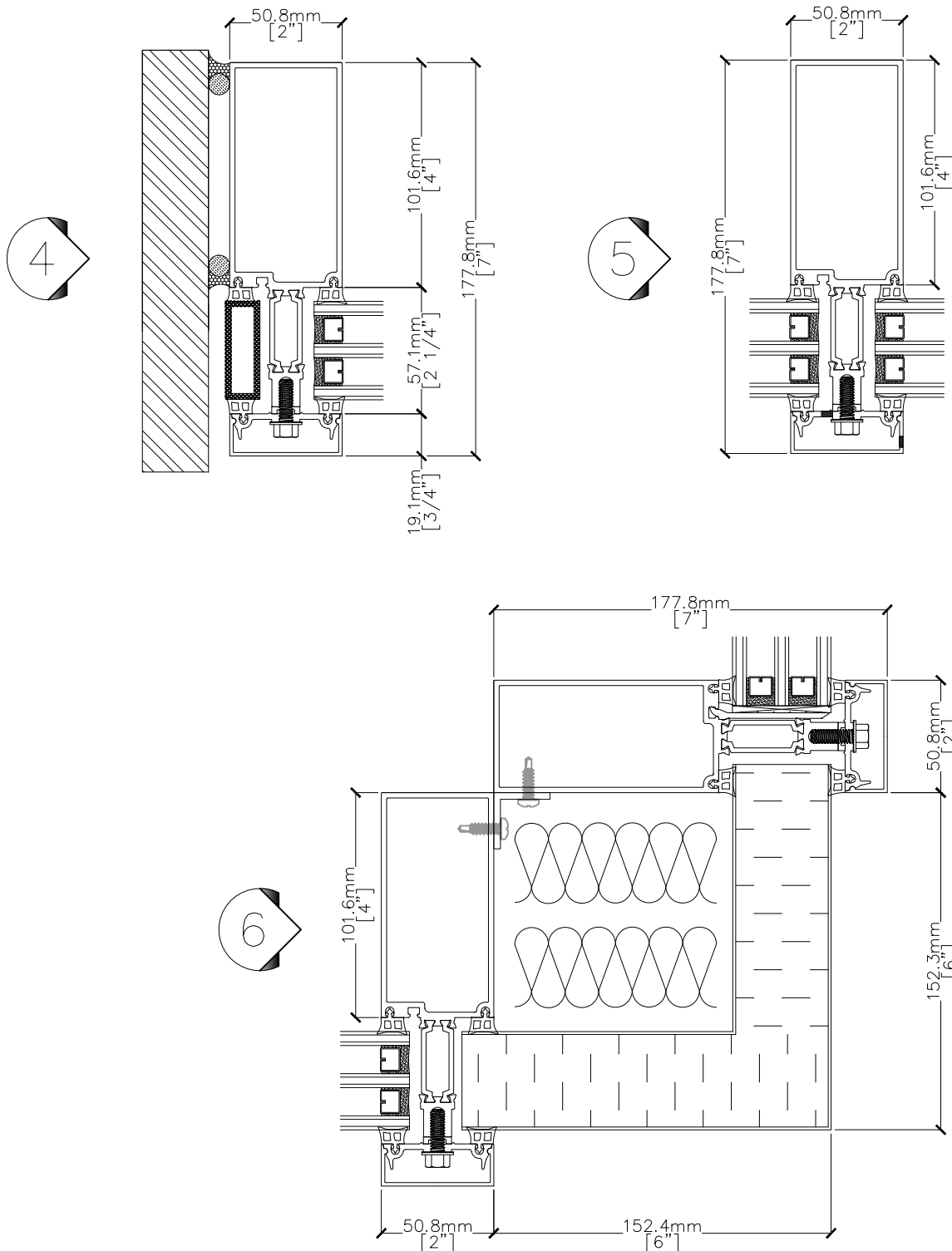
5200 CURTAIN WALL (Triple Glazed)

5200.20.30.1
SECTION 101.6mm (4")



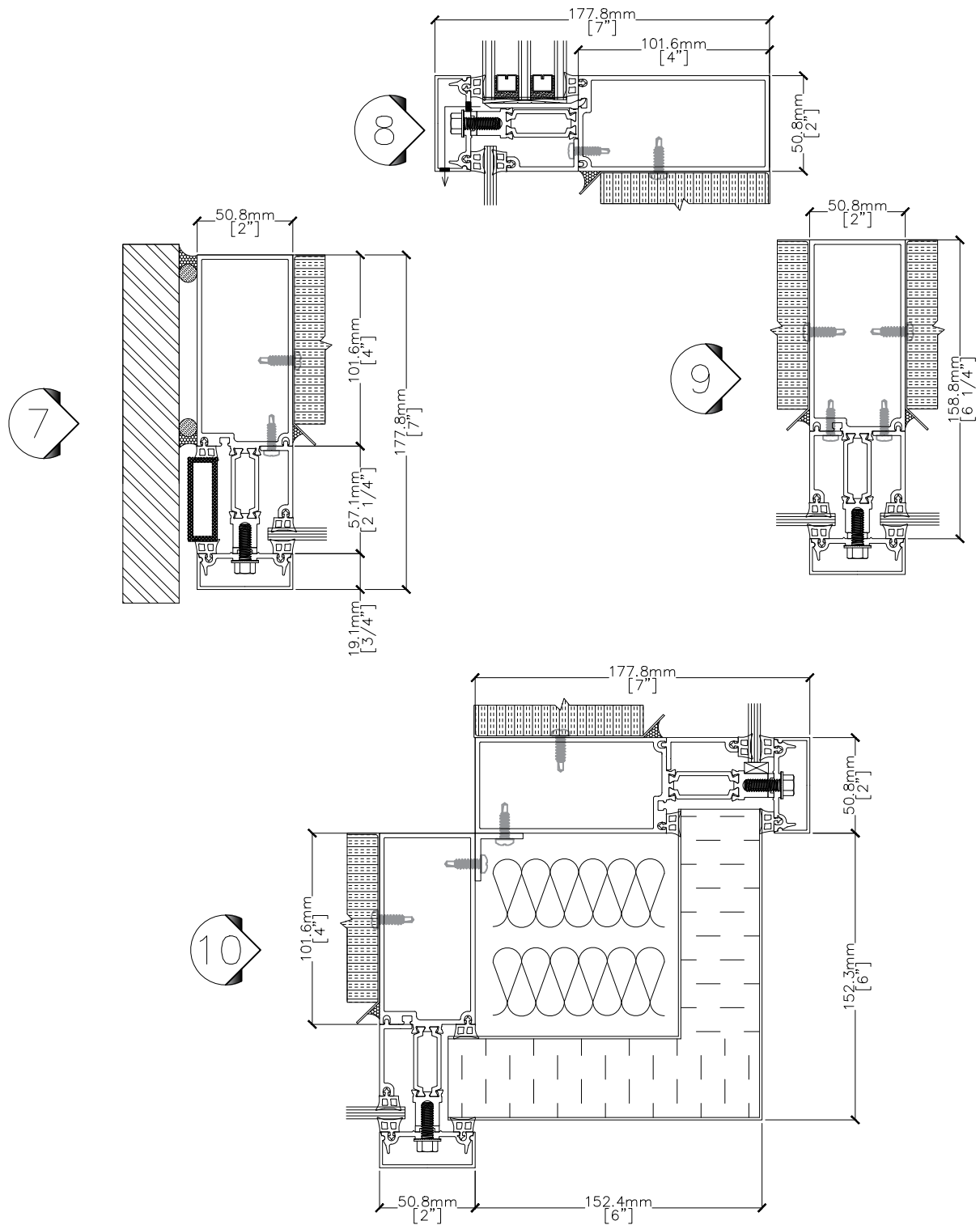
5200 CURTAIN WALL (Triple Glazed)

5200.20.30.2
SECTION 101.6mm (4")



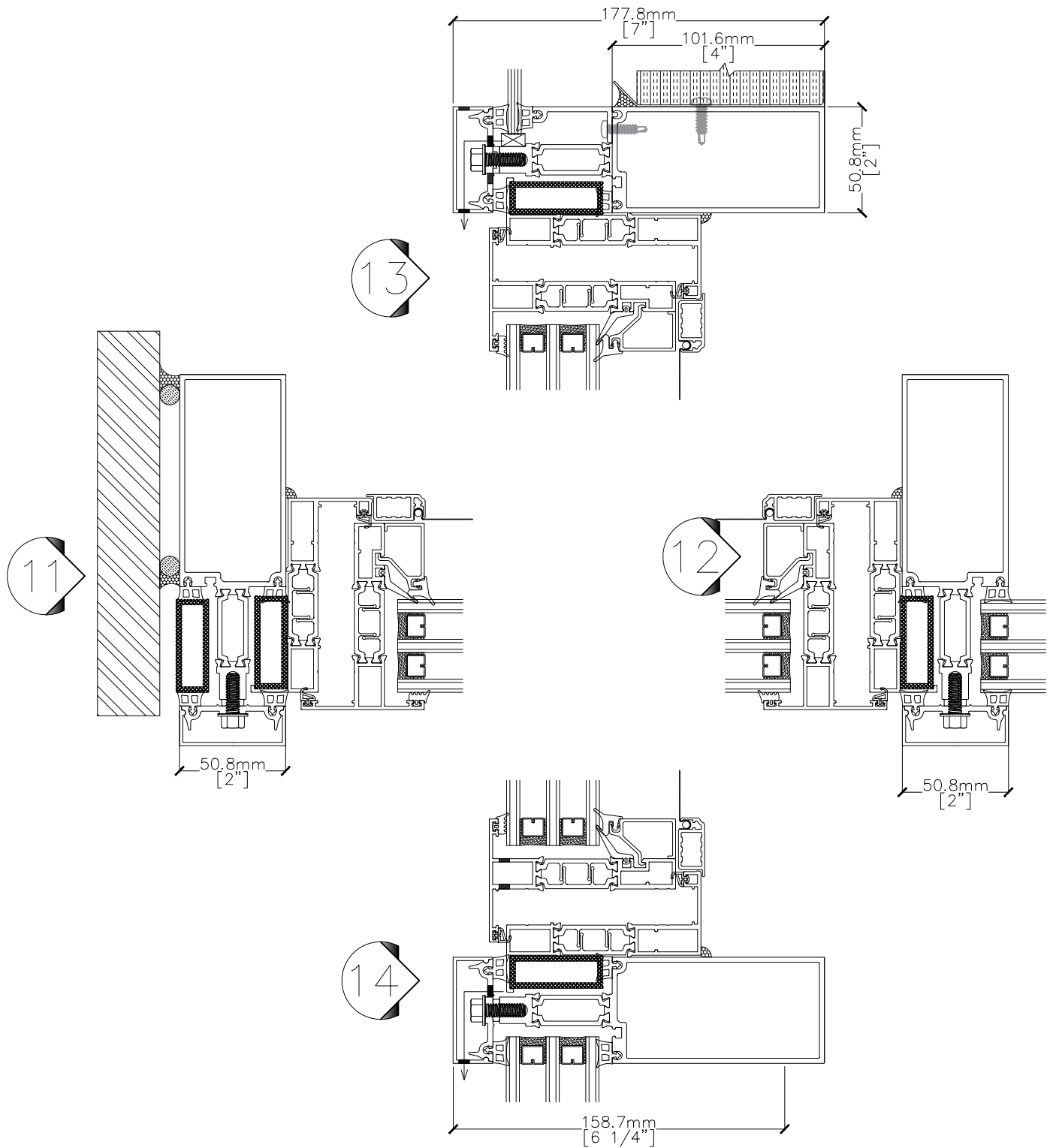
5200 CURTAIN WALL (Triple Glazed)

5200.20.30.3
SECTION 101.6mm (4")



5200 CURTAIN WALL (Triple Glazed)

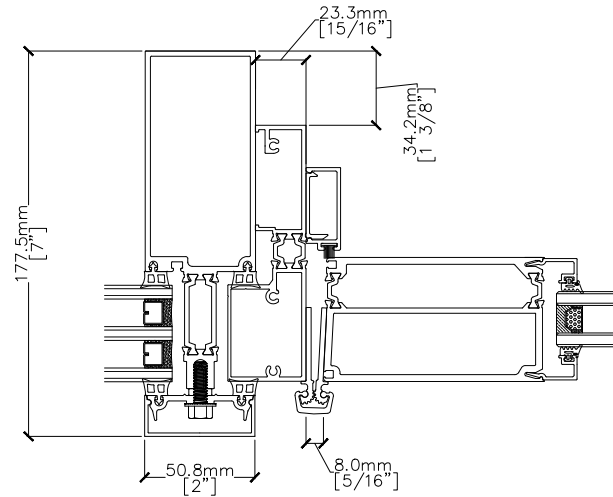
5200.20.30.4
SECTION 101.6mm (4")



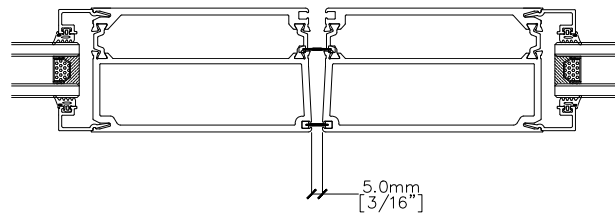
5200 CURTAIN WALL (Triple Glazed)

5200.20.30.5
SECTION 101.6mm (4")

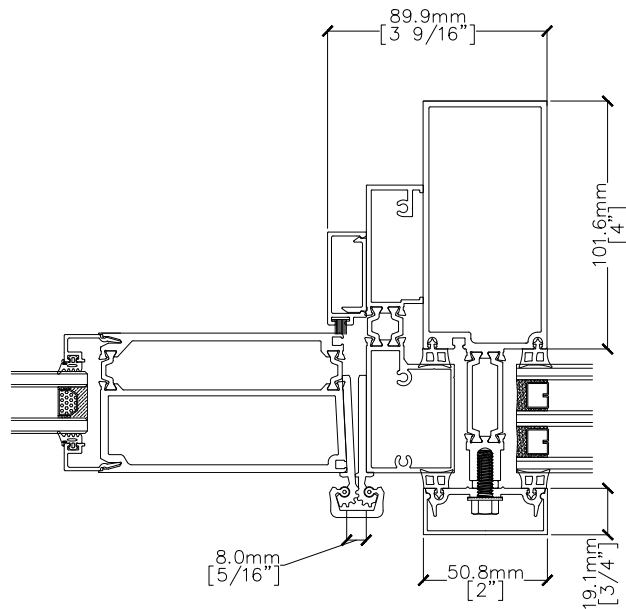
15



16

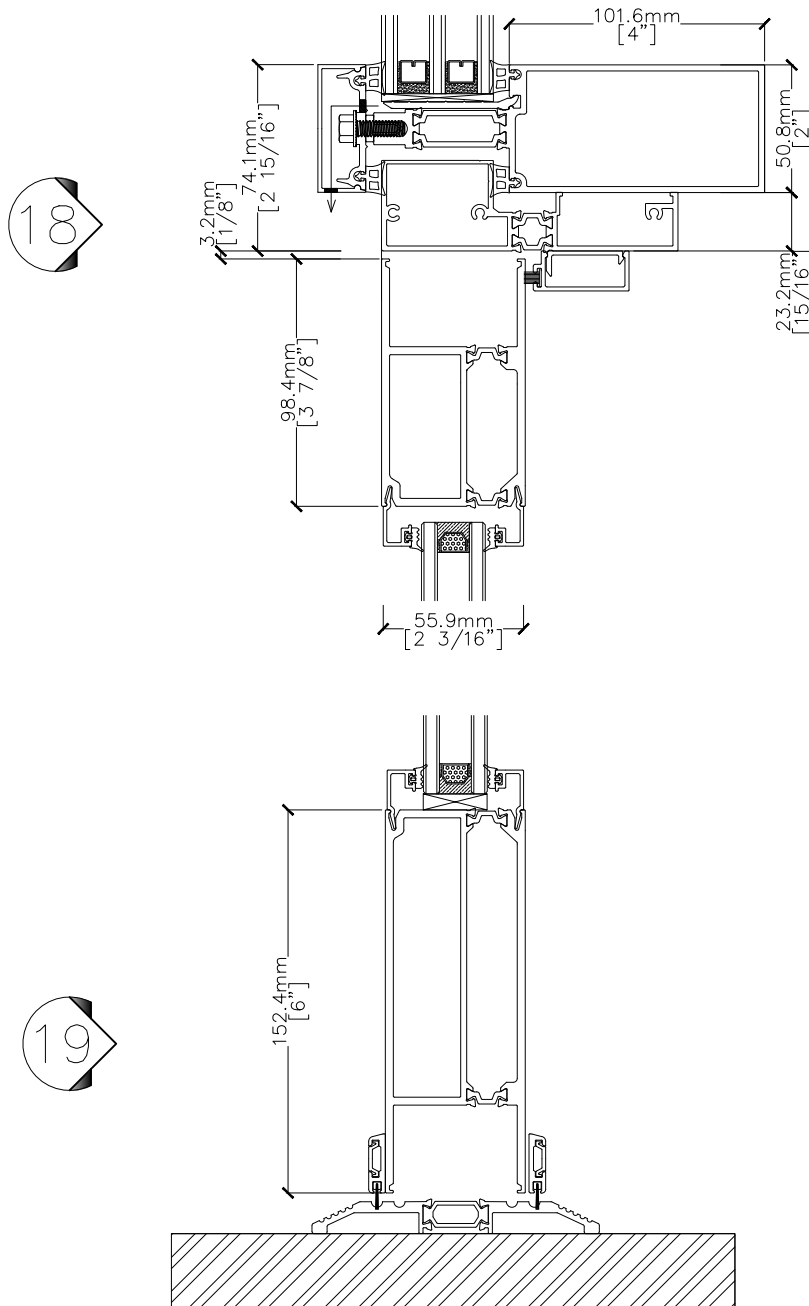


17



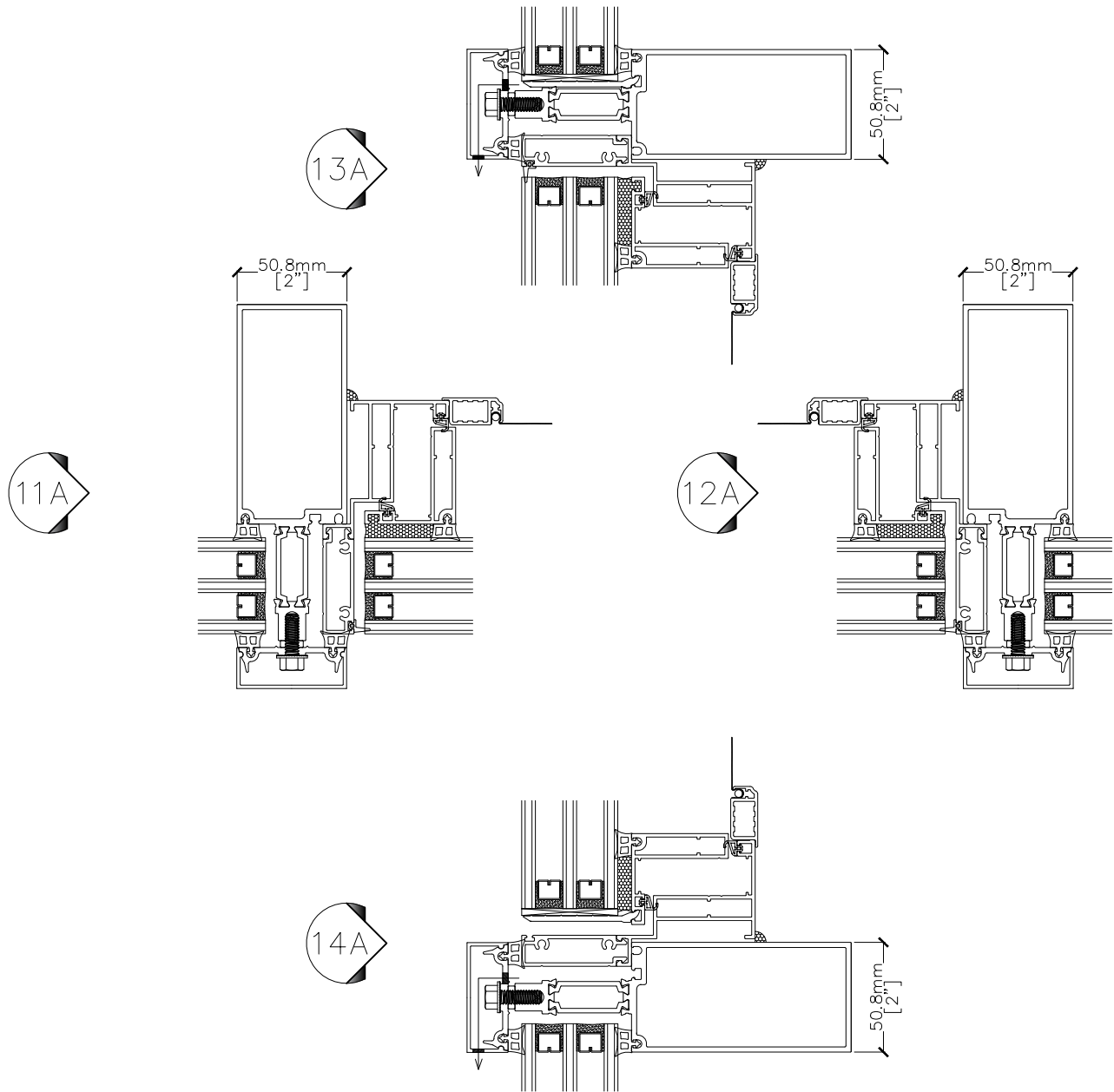
5200 CURTAIN WALL (Triple Glazed)

5200.20.30.6
SECTION 101.6mm (4")



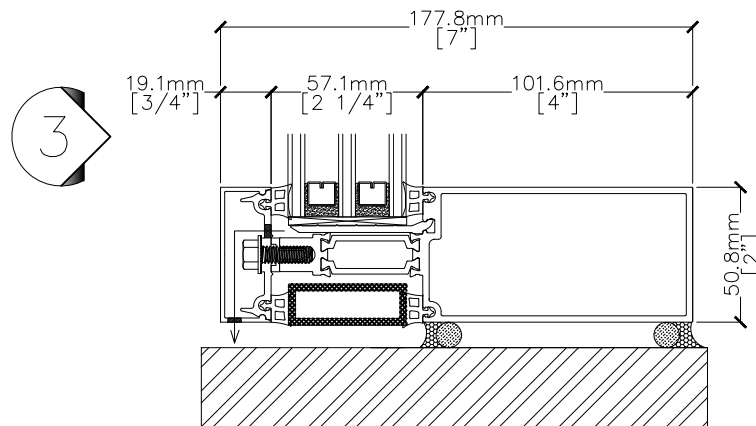
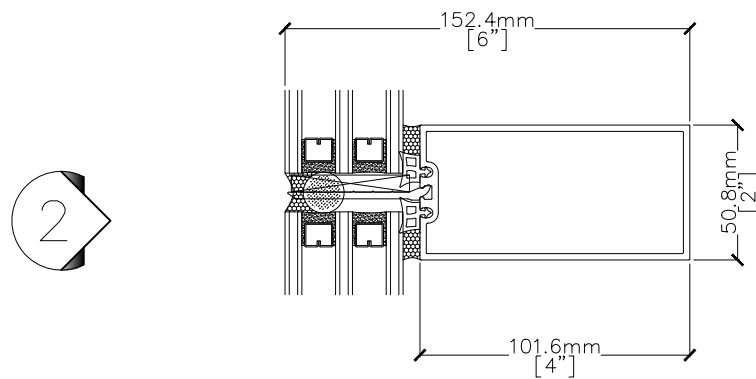
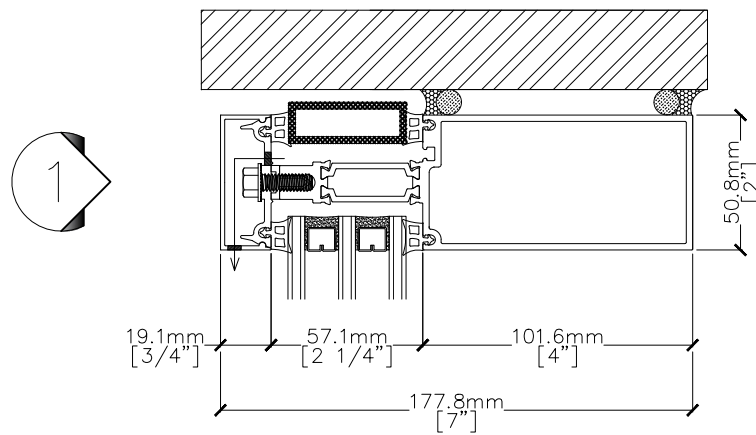
5200 CURTAIN WALL (Triple Glazed)

5200.20.30.7
SECTION 101.6mm (4")



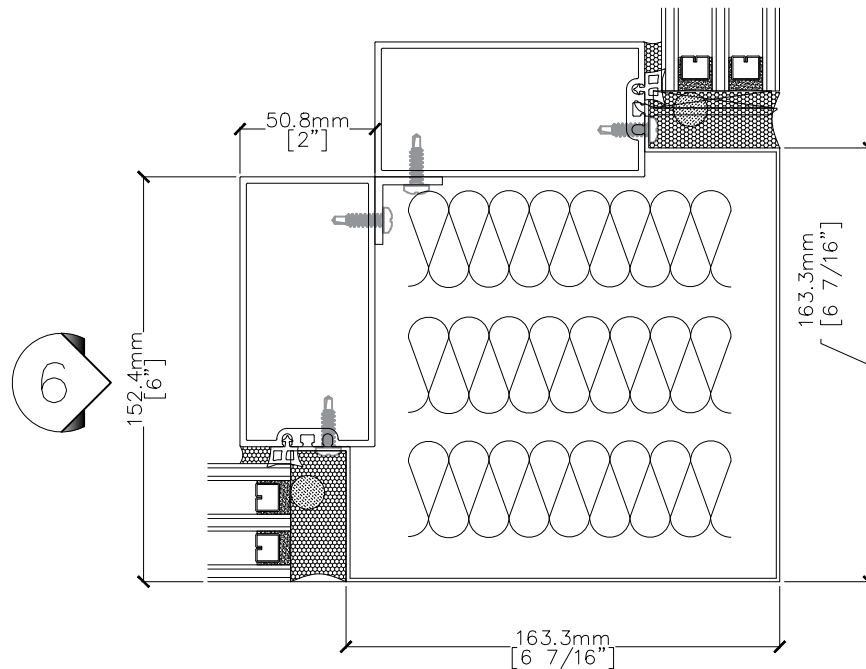
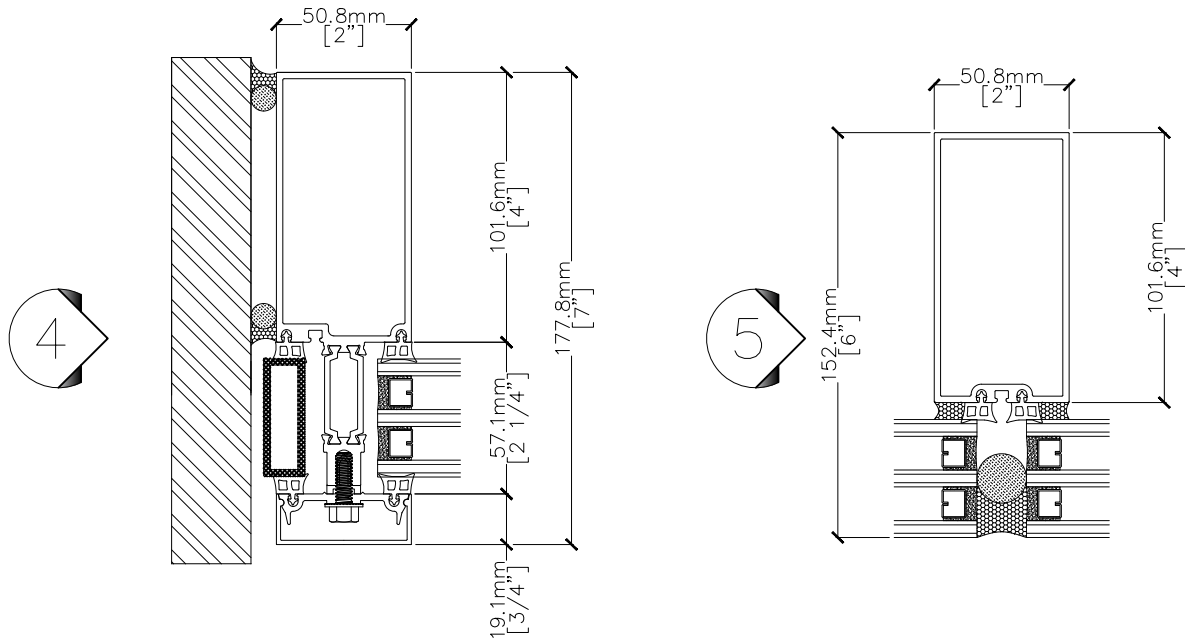
5200 CURTAIN WALL (Triple Glazed)

5200.20.35.1
SECTION 101.6mm (4")



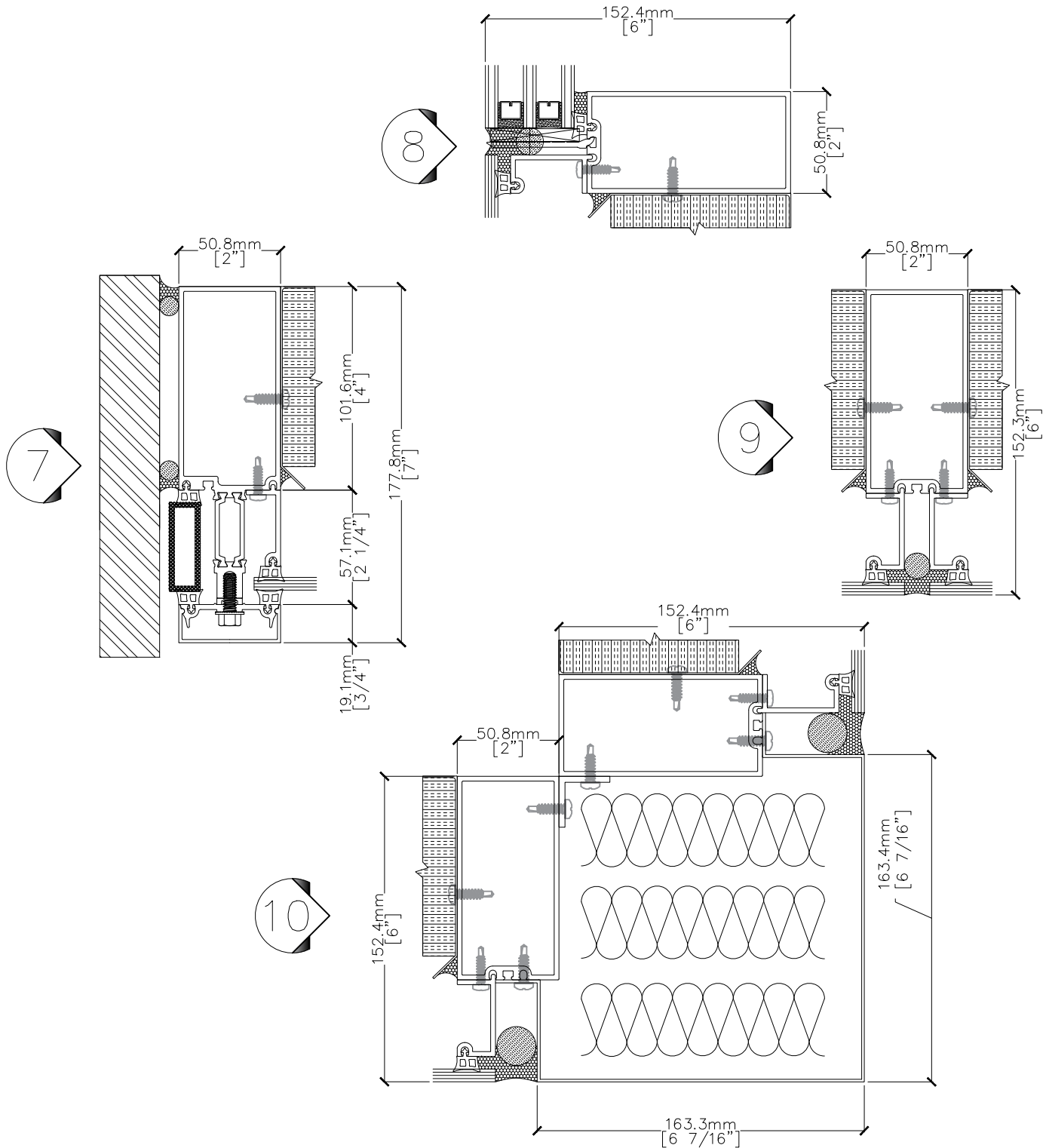
5200 CURTAIN WALL (Triple Glazed)

5200.20.35.2
SECTION 101.6mm (4")



5200 CURTAIN WALL (Triple Glazed)

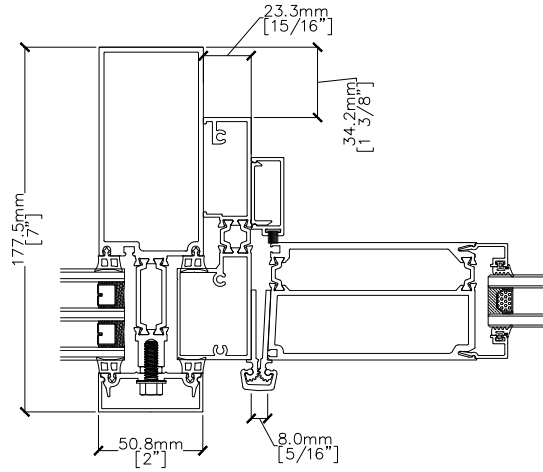
5200.20.35.3
SECTION 101.6mm (4")



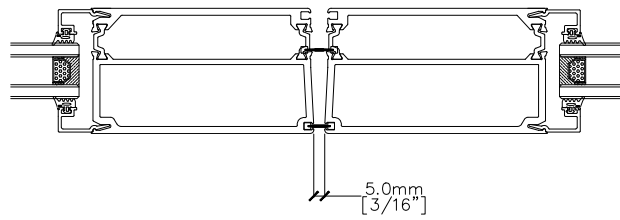
5200 CURTAIN WALL (Triple Glazed)

5200.20.35.4
SECTION 101.6mm (4")

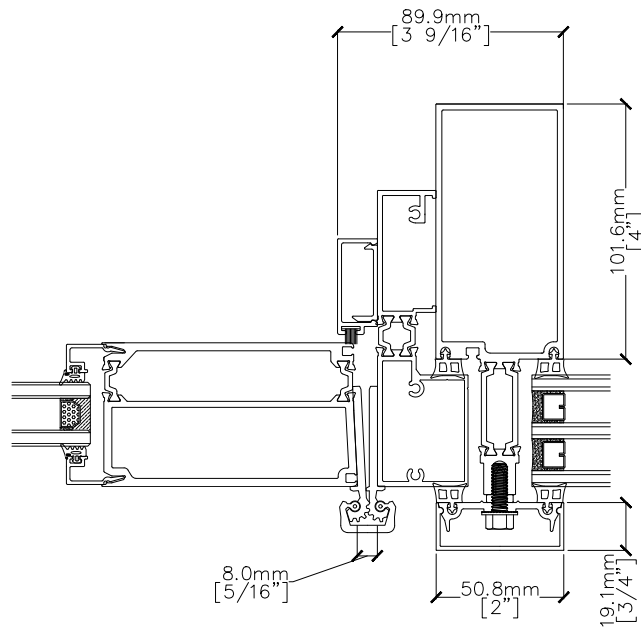
15



16

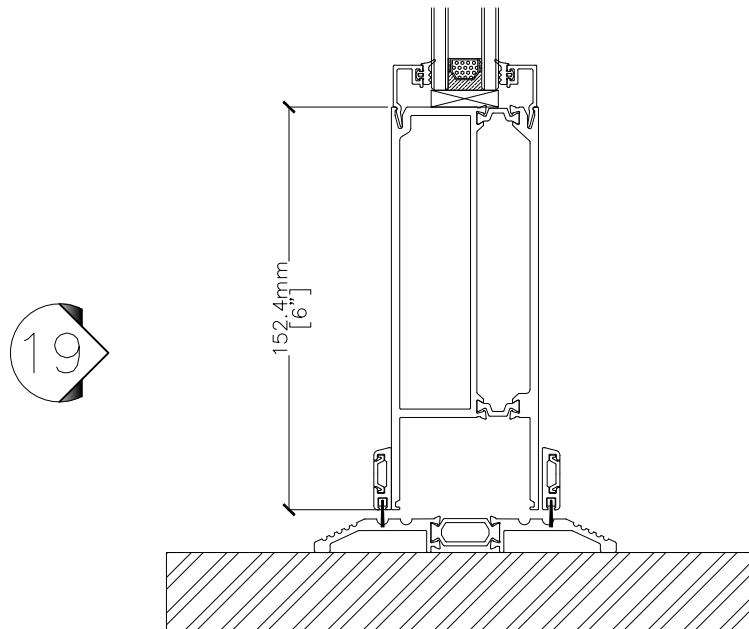
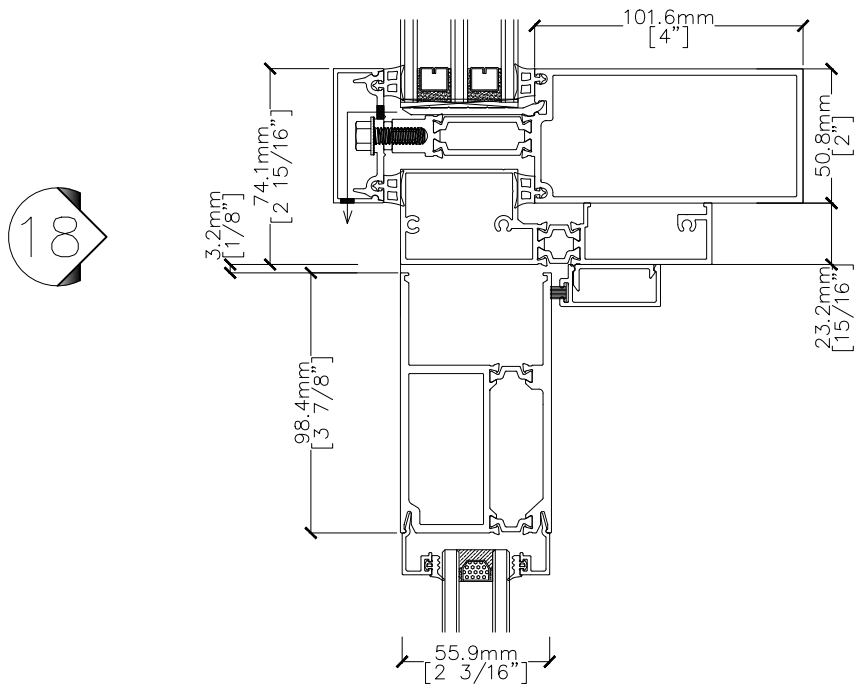


17



5200 CURTAIN WALL (Triple Glazed)

5200.20.35.5
SECTION 101.6mm (4")



5200 CURTAIN WALL (Triple Glazed)

5200.20.35.6
SECTION 101.6mm (4")

