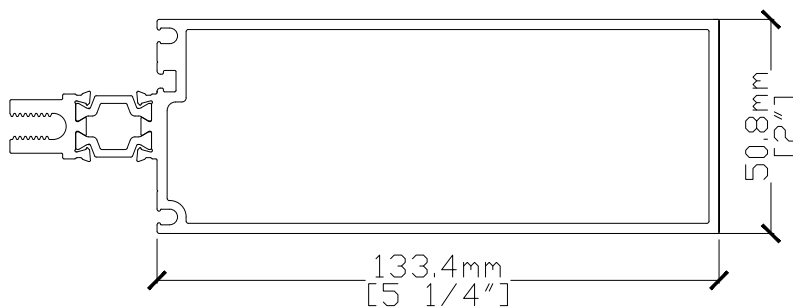


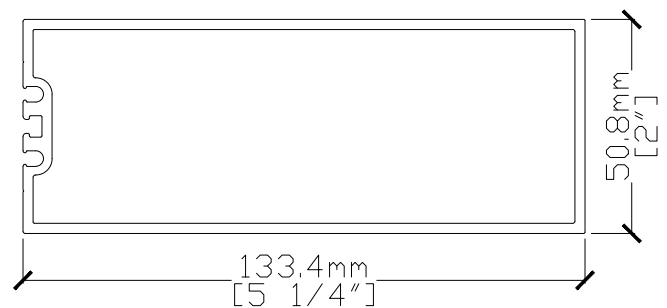
# CURTAIN WALL 5200

- Back section size: 50.8mmX133.4mm (2"X 5 1/4")
- Polyamide thermally broken aluminum system
- Exterior glazing configuration
- Rainscreen Design
- EPDM glazing gasket
- Accommodate double and triple glazing units
- SSG configuration available
- Integration with vents and door assemblies

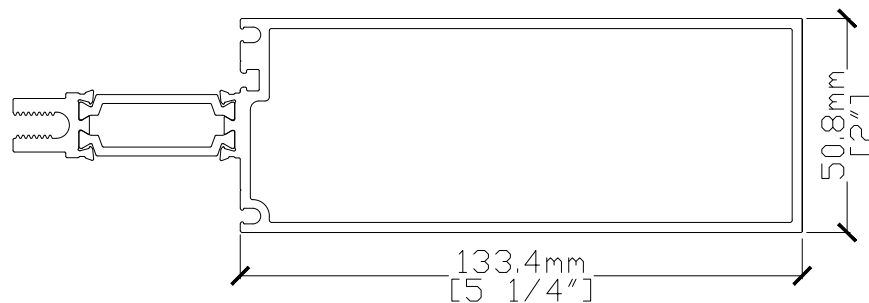
Capped Option (Double Glazed)



Structural Silicone Glazing

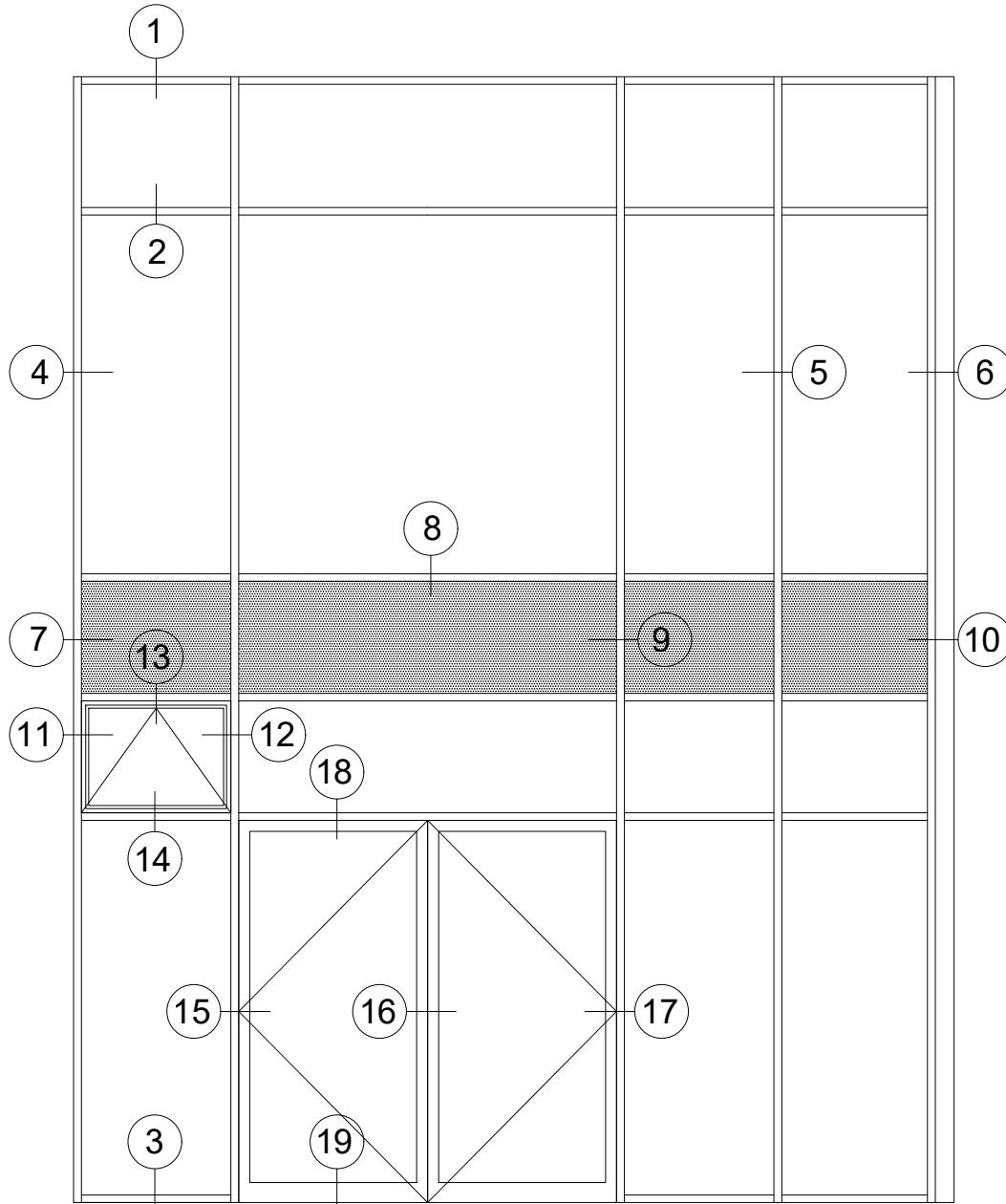


Capped Option (Triple Glazed)



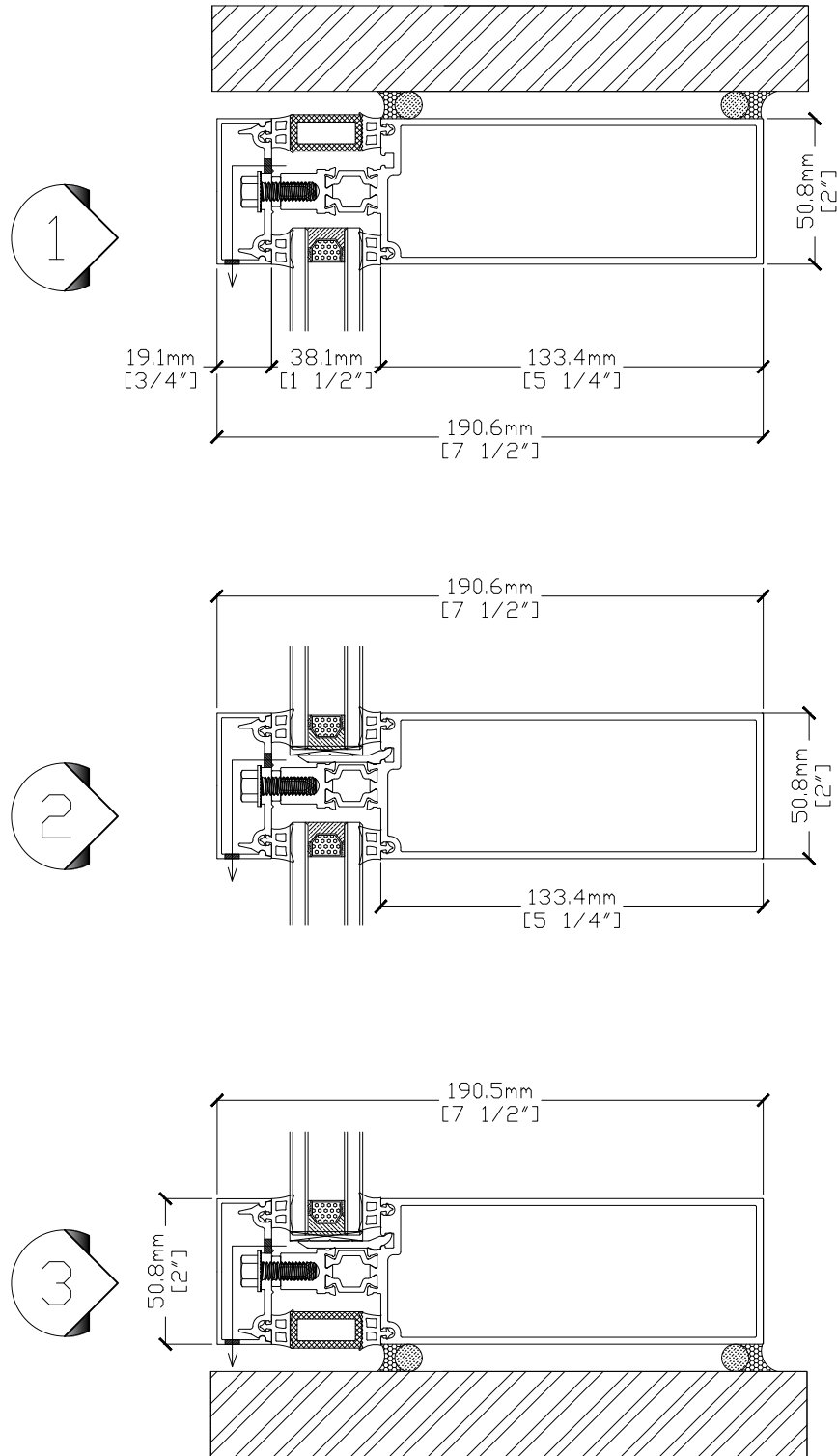
# 5200 CURTAIN WALL (Double Glazed)

5200.30.20.0  
SECTION 133.4mm (5 1/4")



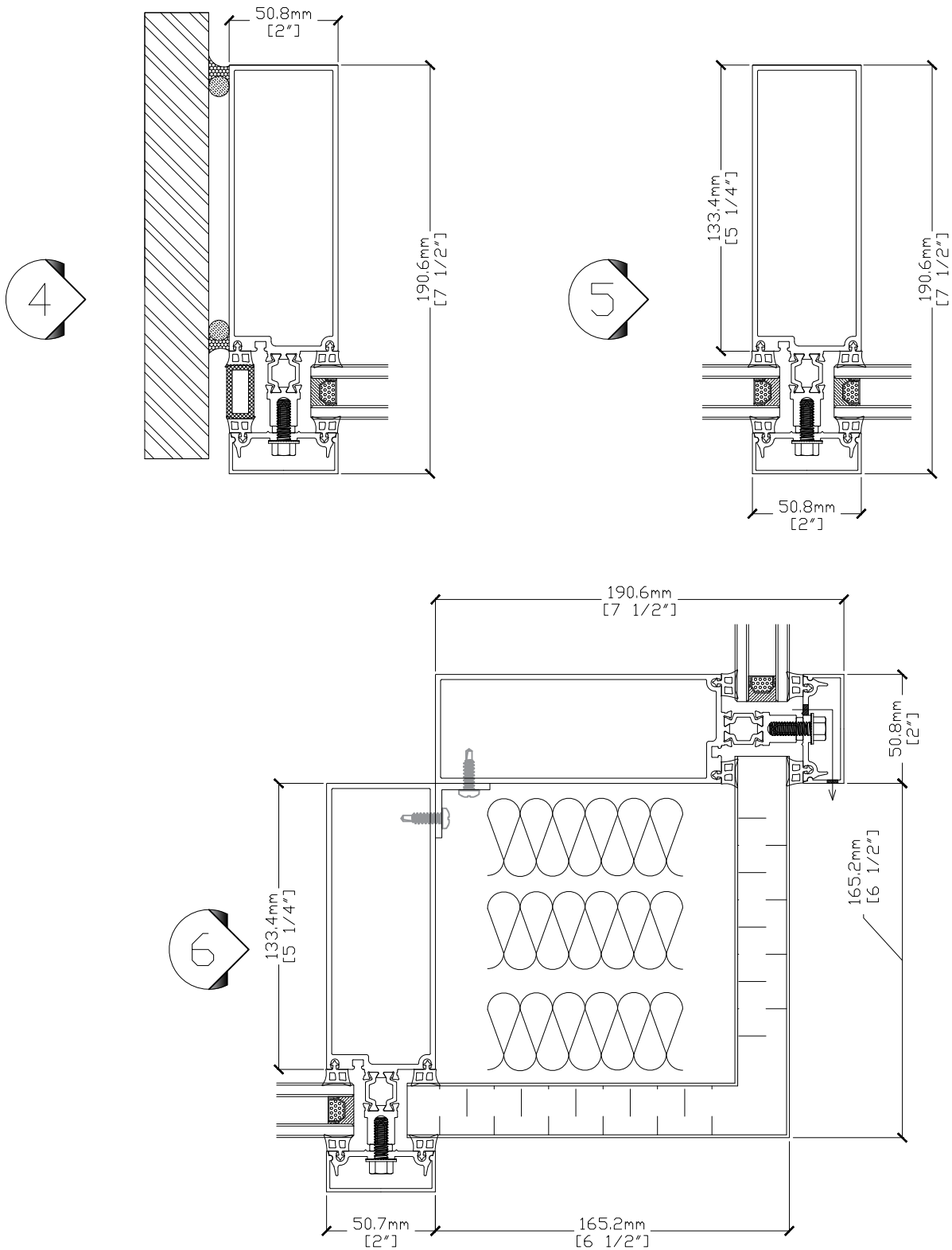
# 5200 CURTAIN WALL (Double Glazed) SECTION 133.4mm (5 1/4")

5200.30.20.1



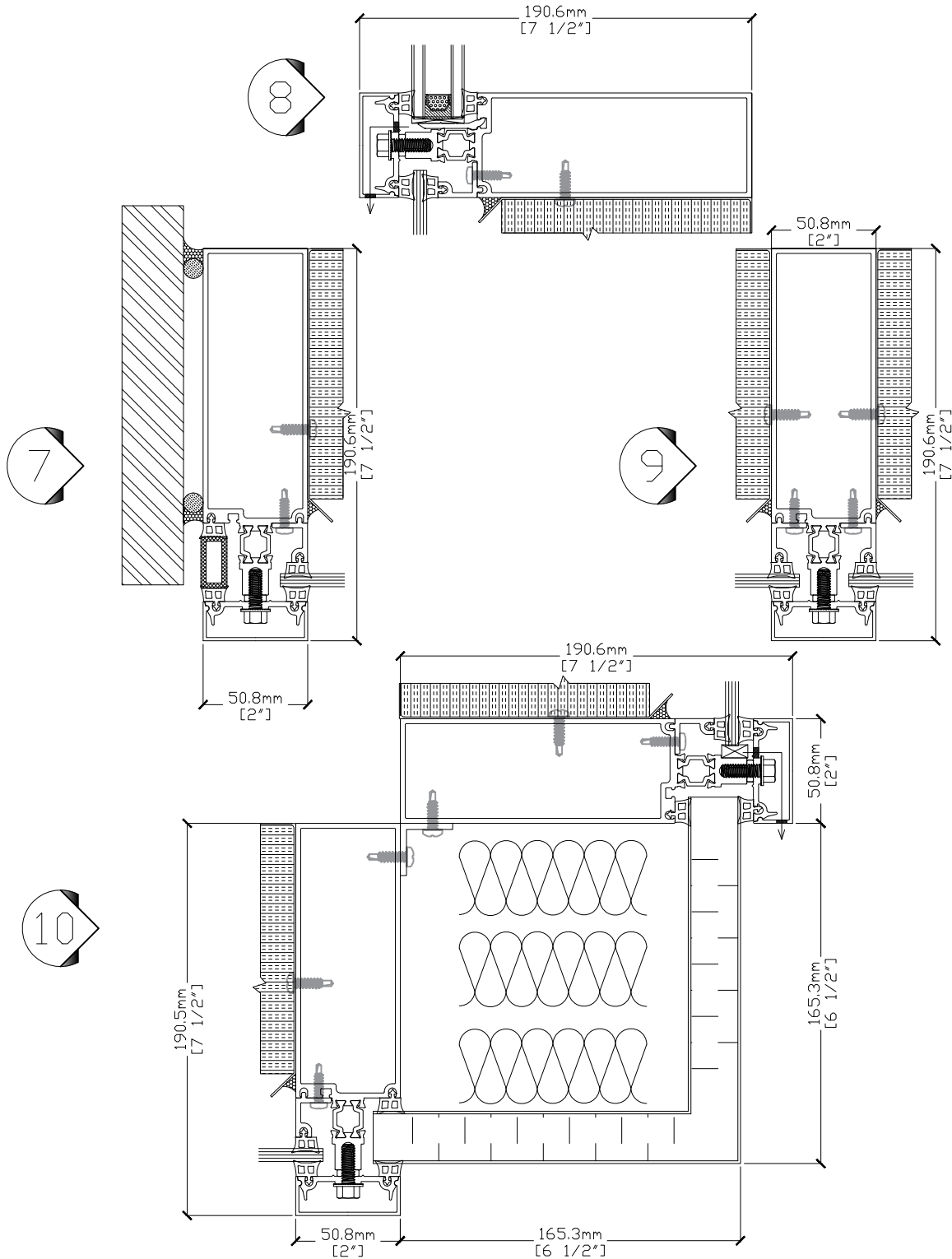
# 5200 CURTAIN WALL (Double Glazed) SECTION 133.4mm (5 1/4")

5200.30.20.2



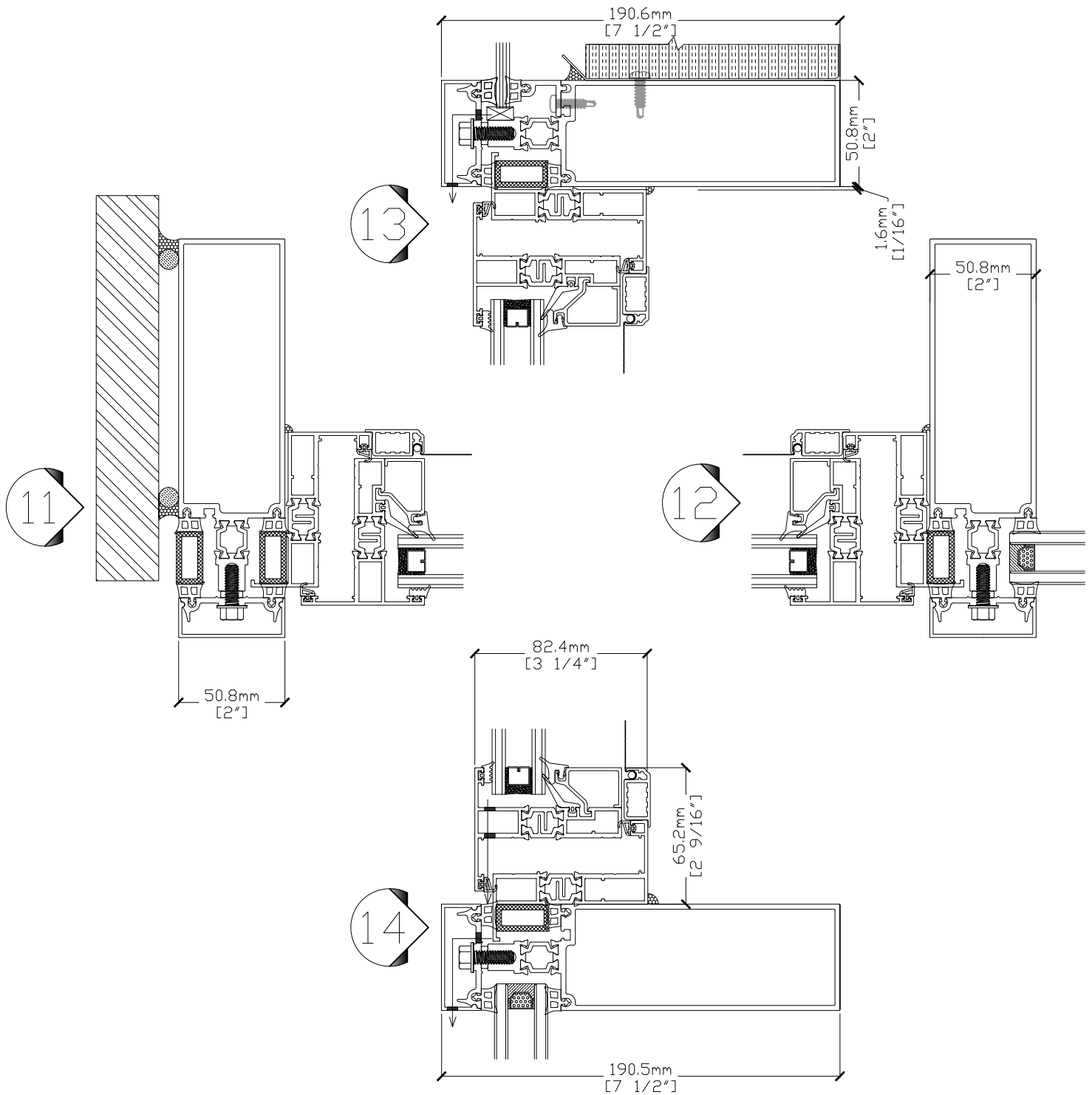
# 5200 CURTAIN WALL (Double Glazed)

5200.30.20.3 SECTION 133.4mm (5 1/4")



# 5200 CURTAIN WALL (Double Glazed)

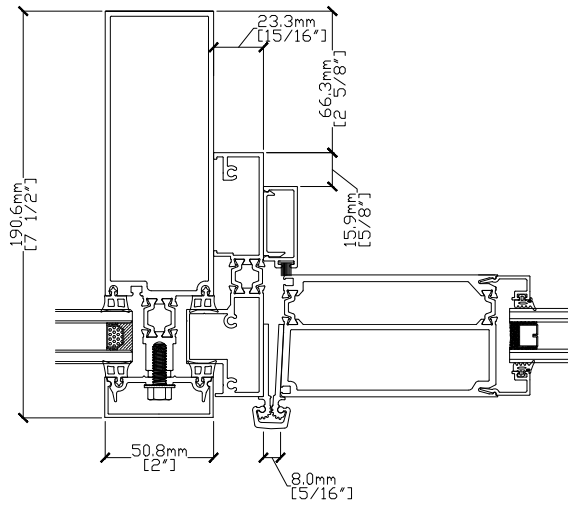
5200.30.20.4 SECTION 133.4mm (5 1/4")



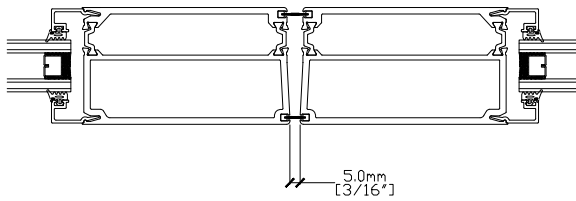
# 5200 CURTAIN WALL (Double Glazed) SECTION 133.4mm (5 1/4")

5200.30.20.5

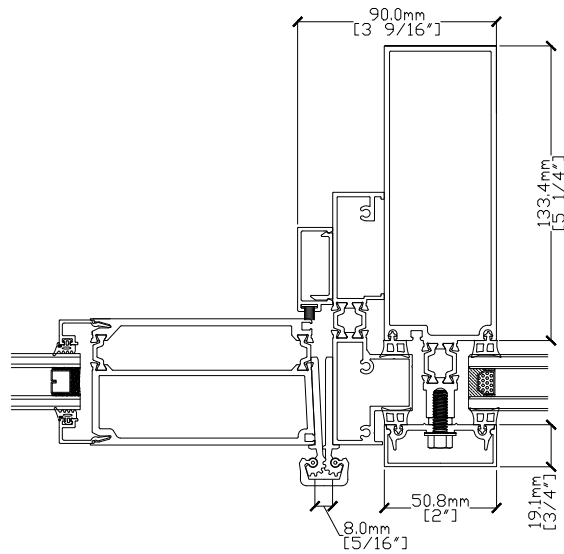
15



16

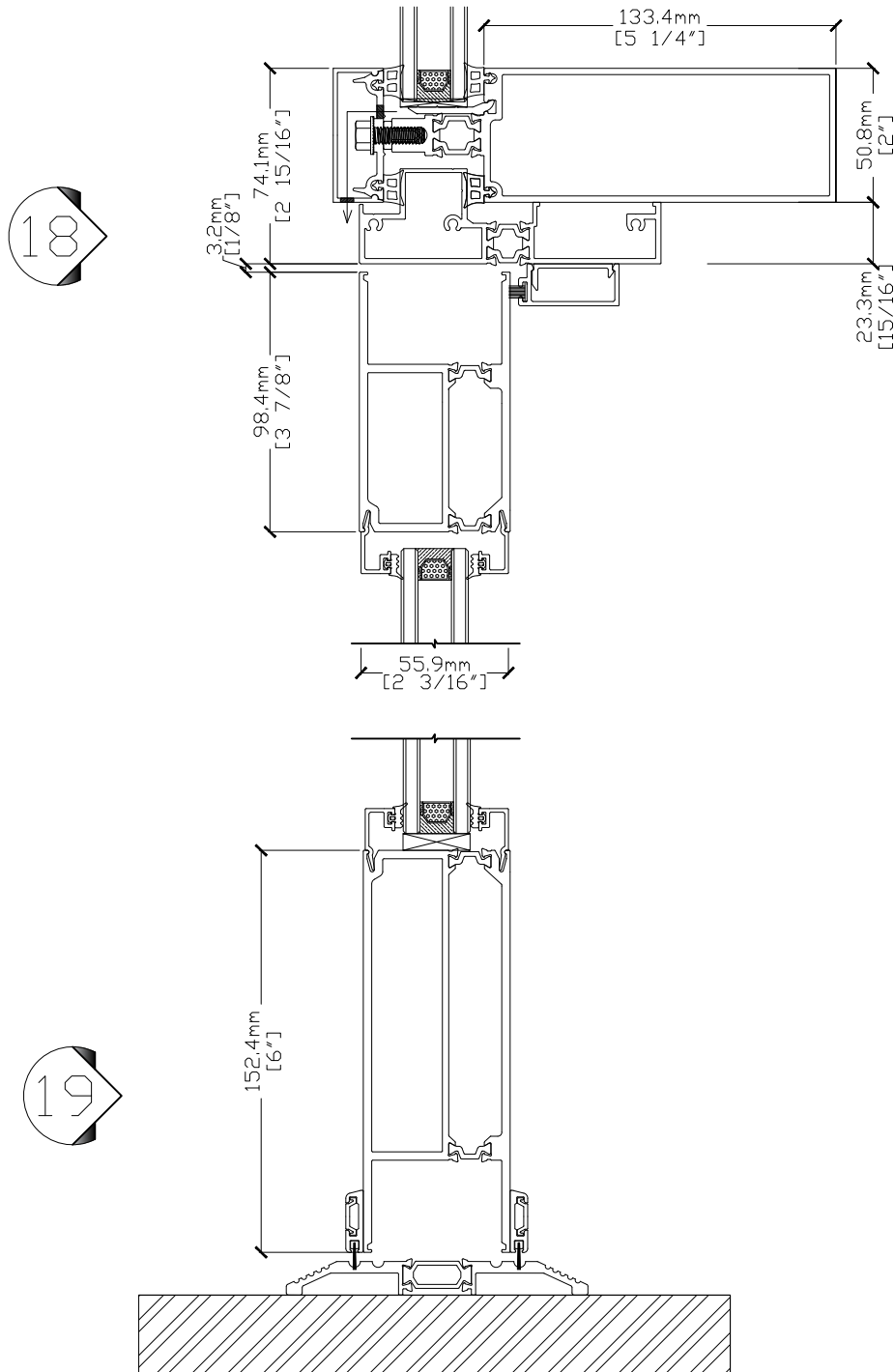


17



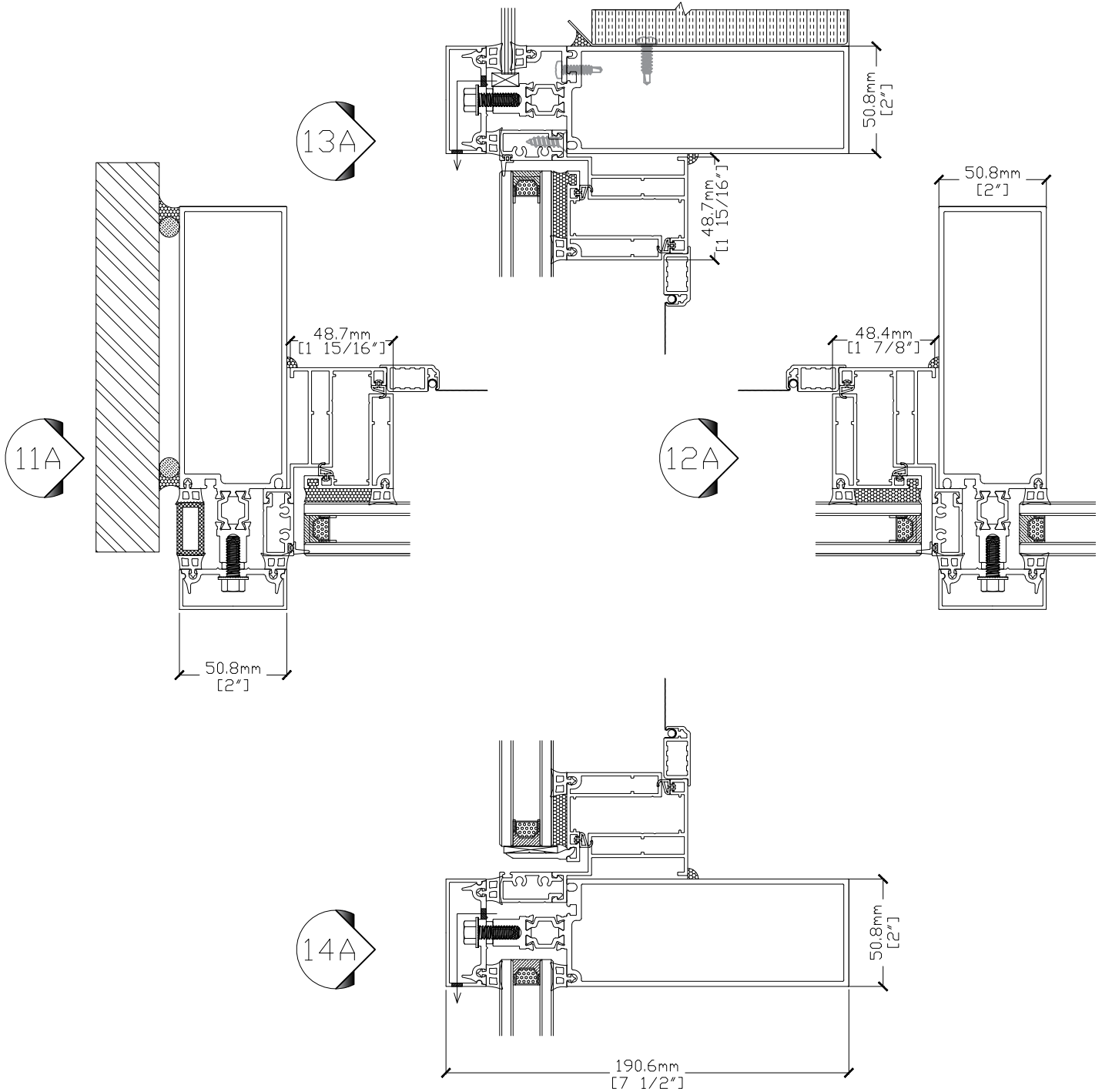
# 5200 CURTAIN WALL (Double Glazed) SECTION 133.4mm (5 1/4")

5200.30.20.6



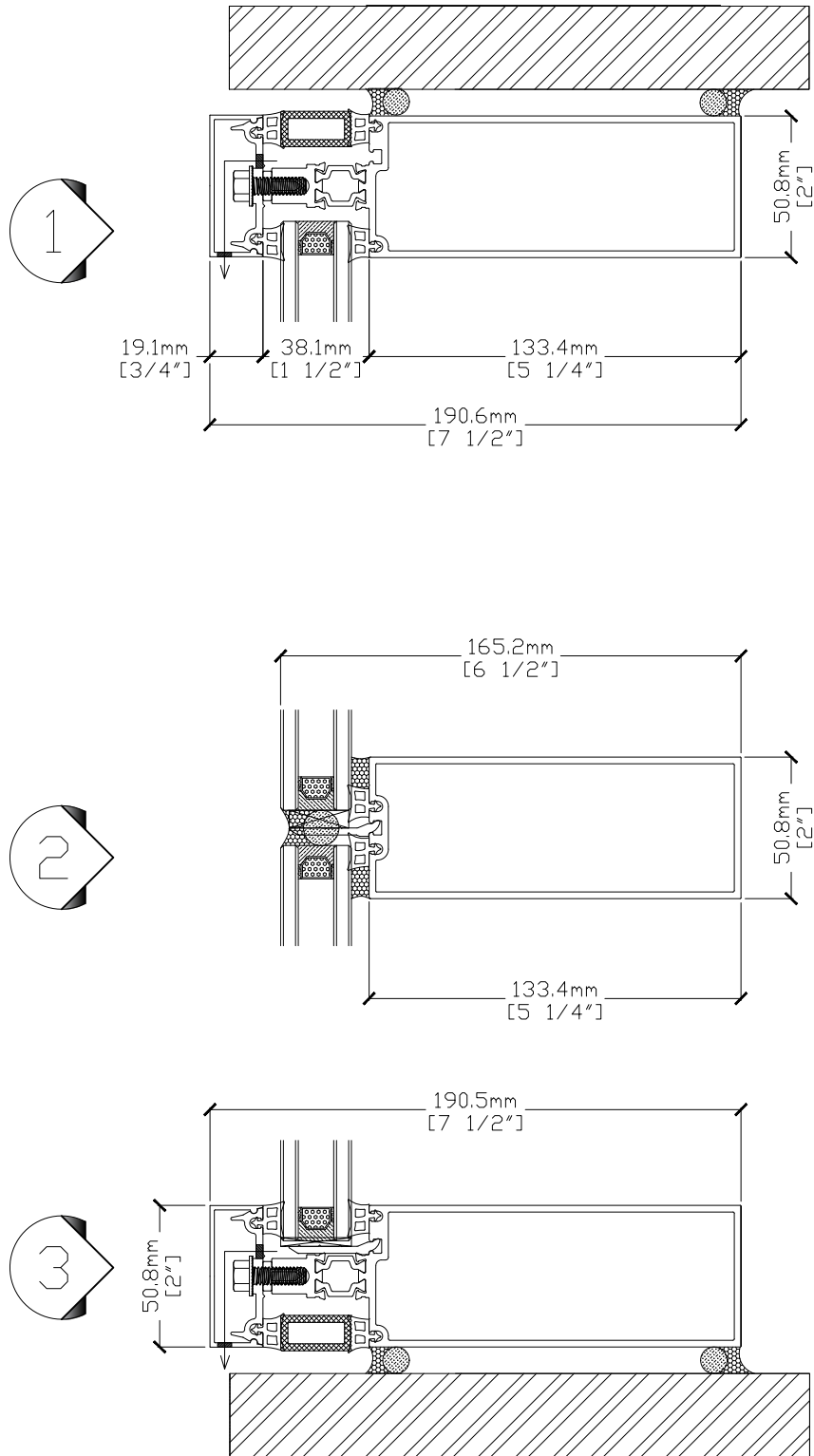
# 5200 CURTAIN WALL (Double Glazed) SECTION 133.4mm (5 1/4")

5200.30.20.7



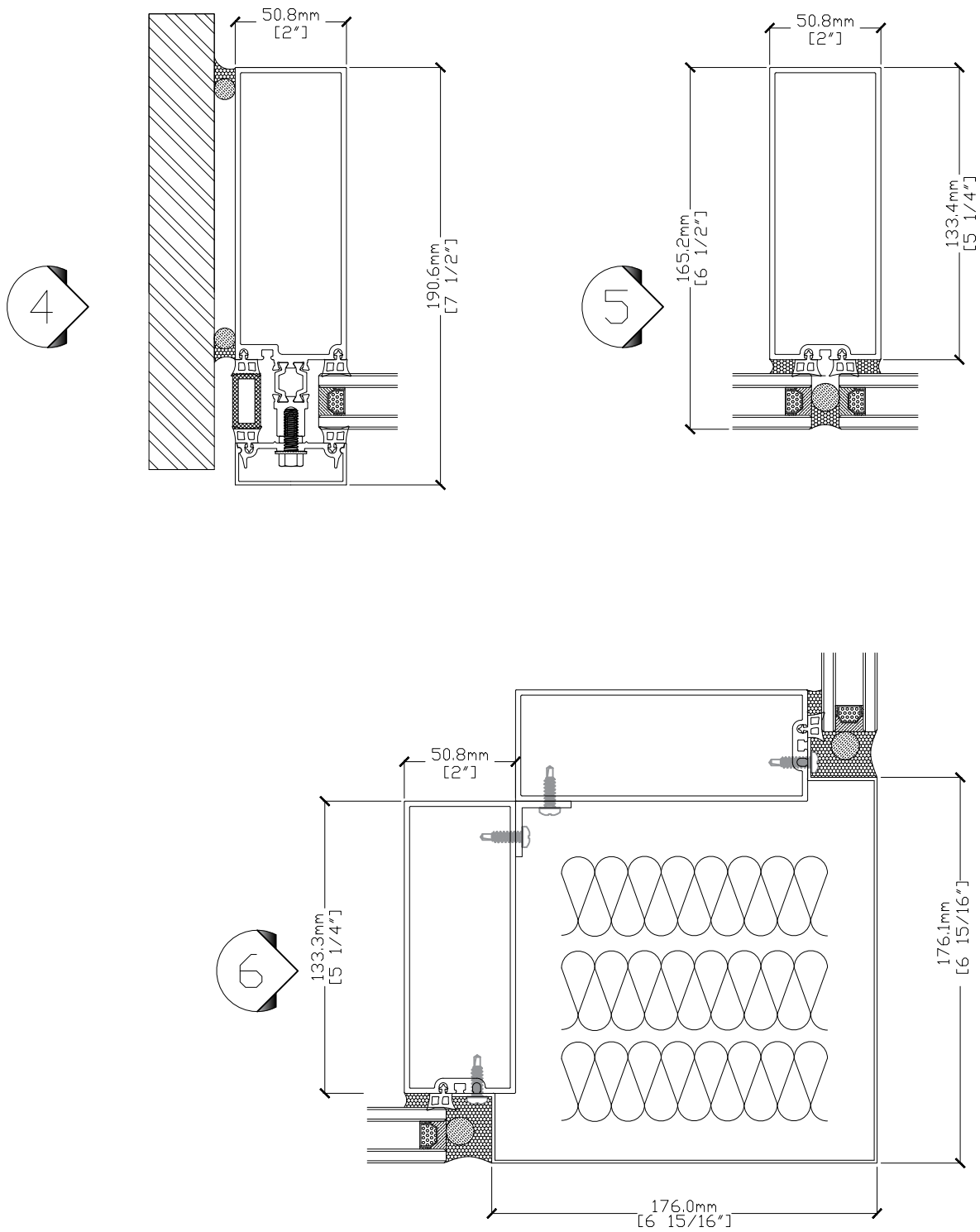
# 5200 CURTAIN WALL (Double Glazed) SECTION 133.4mm (5 1/4")

5200.30.25.1



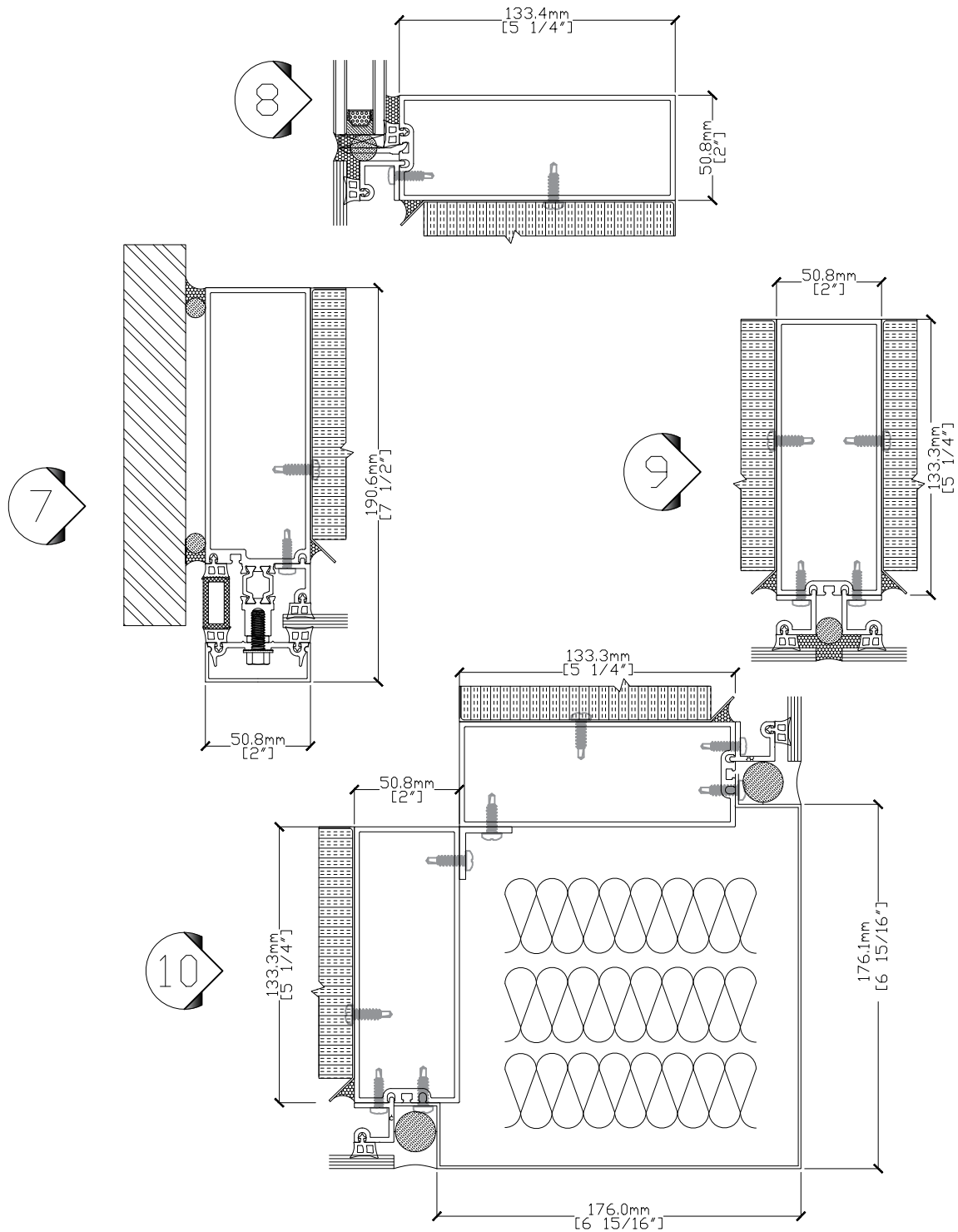
# 5200 CURTAIN WALL (Double Glazed) SECTION 133.4mm (5 1/4")

5200.30.25.2



# 5200 CURTAIN WALL (Double Glazed) SECTION 133.4mm (5 1/4")

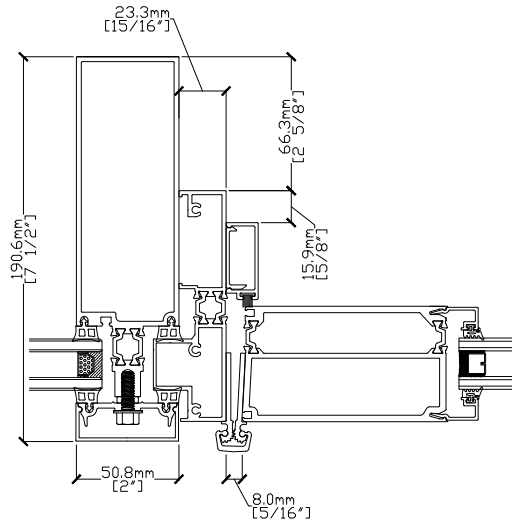
5200.30.25.3



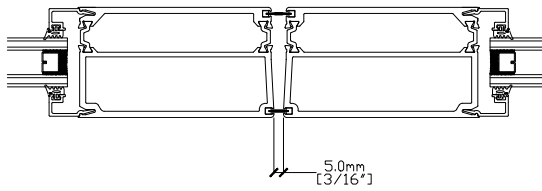
# 5200 CURTAIN WALL (Double Glazed) SECTION 133.4mm (5 1/4")

5200.30.25.4

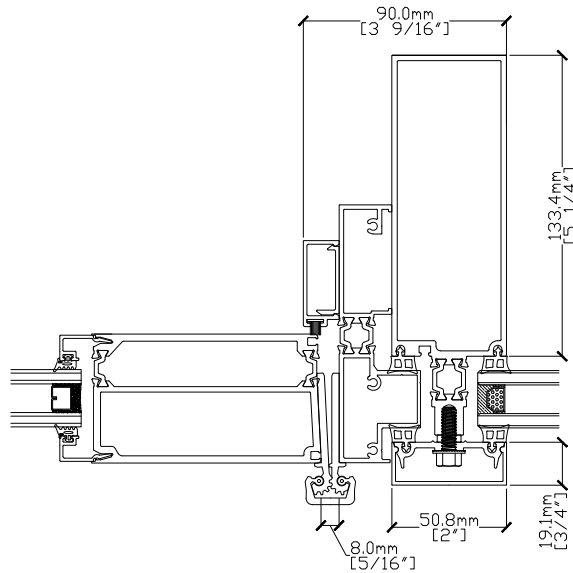
15



16



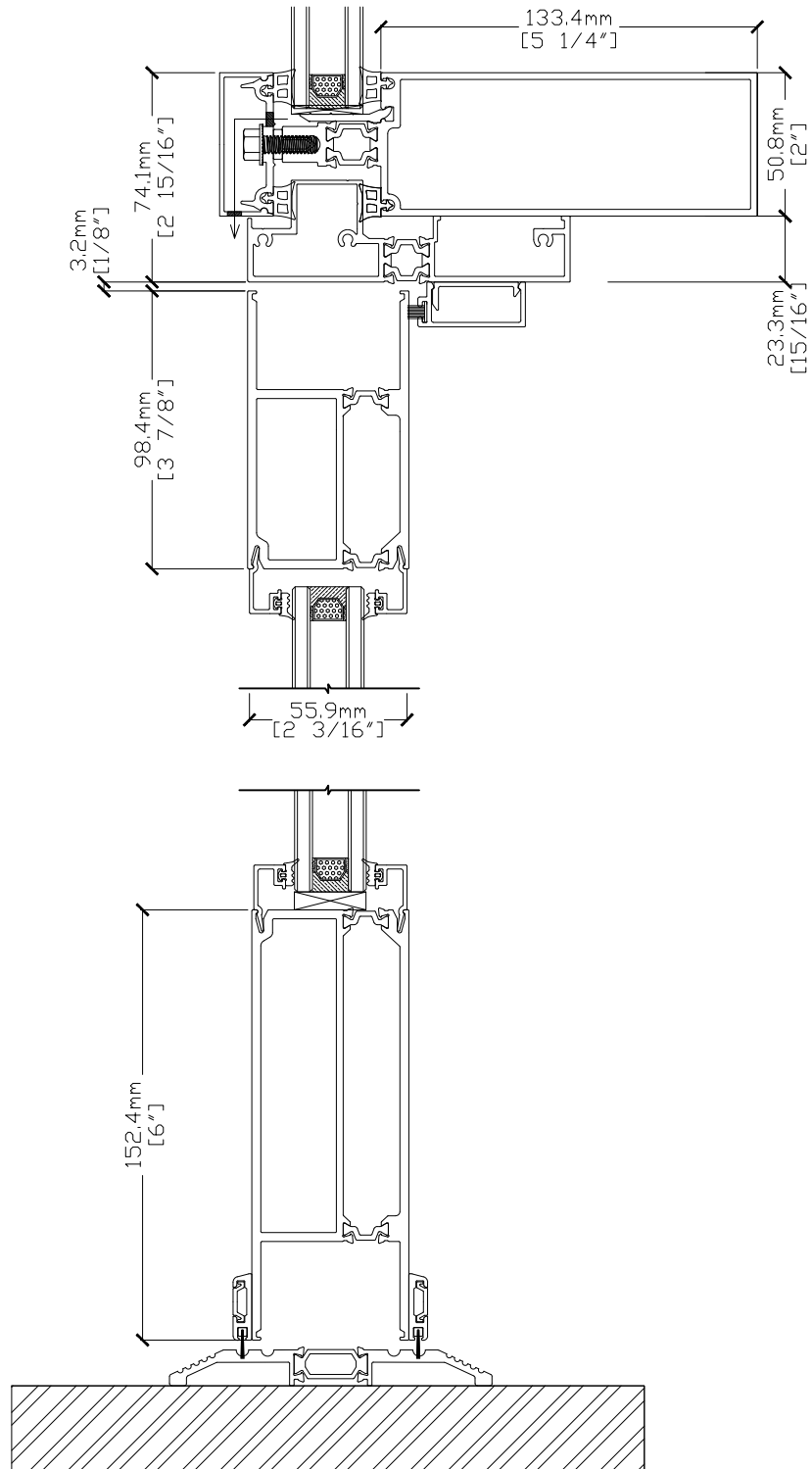
17



# 5200 CURTAIN WALL (Double Glazed) SECTION 133.4mm (5 1/4")

5200.30.25.5

18



19

# 5200 CURTAIN WALL (Double Glazed) SECTION 133.4mm (5 1/4")

5200.30.25.6

