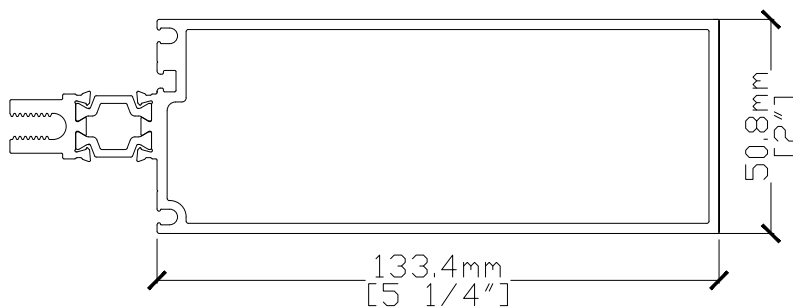


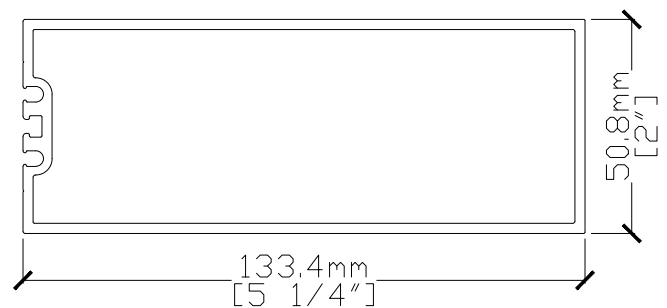
CURTAIN WALL 5200

- Back section size: 50.8mmX133.4mm (2"X 5 1/4")
- Polyamide thermally broken aluminum system
- Exterior galzing configuration
- Rainscreen Design
- EPDM glazing gasket
- Accommodate double and triple glazing units
- SSG configuration available
- Integration with vents and door assemblies

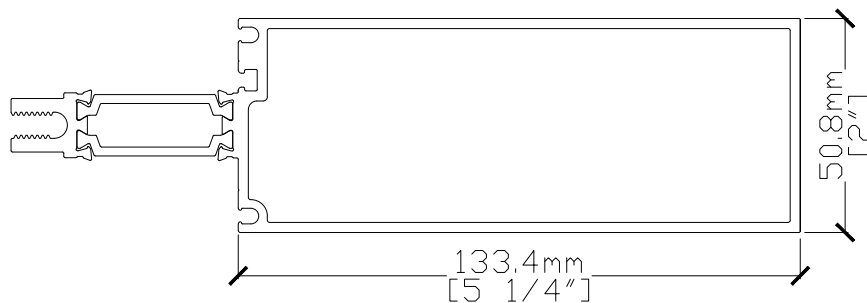
Capped Option (Double Glazed)



Structural Silicone Glazing

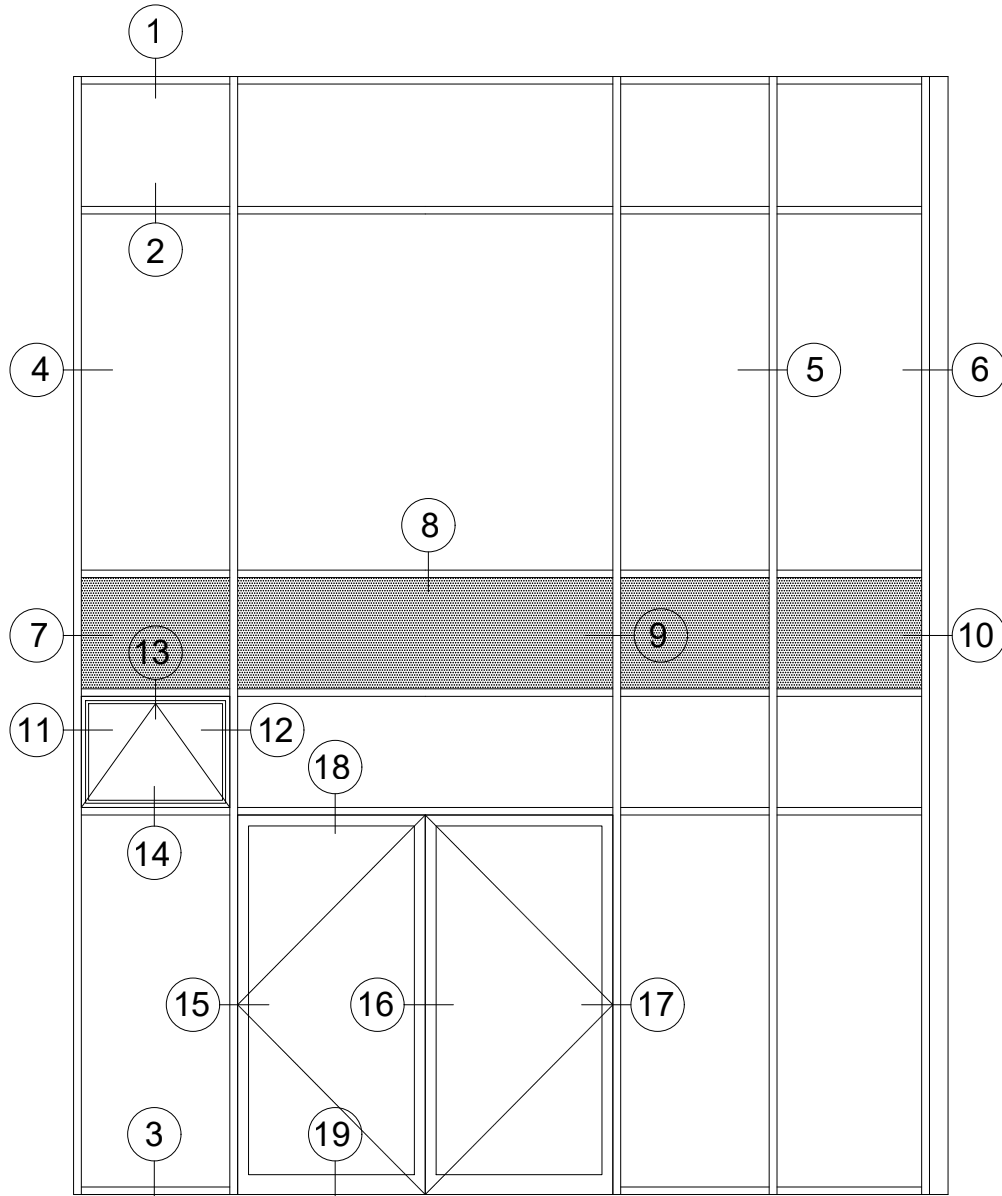


Capped Option (Triple Glazed)



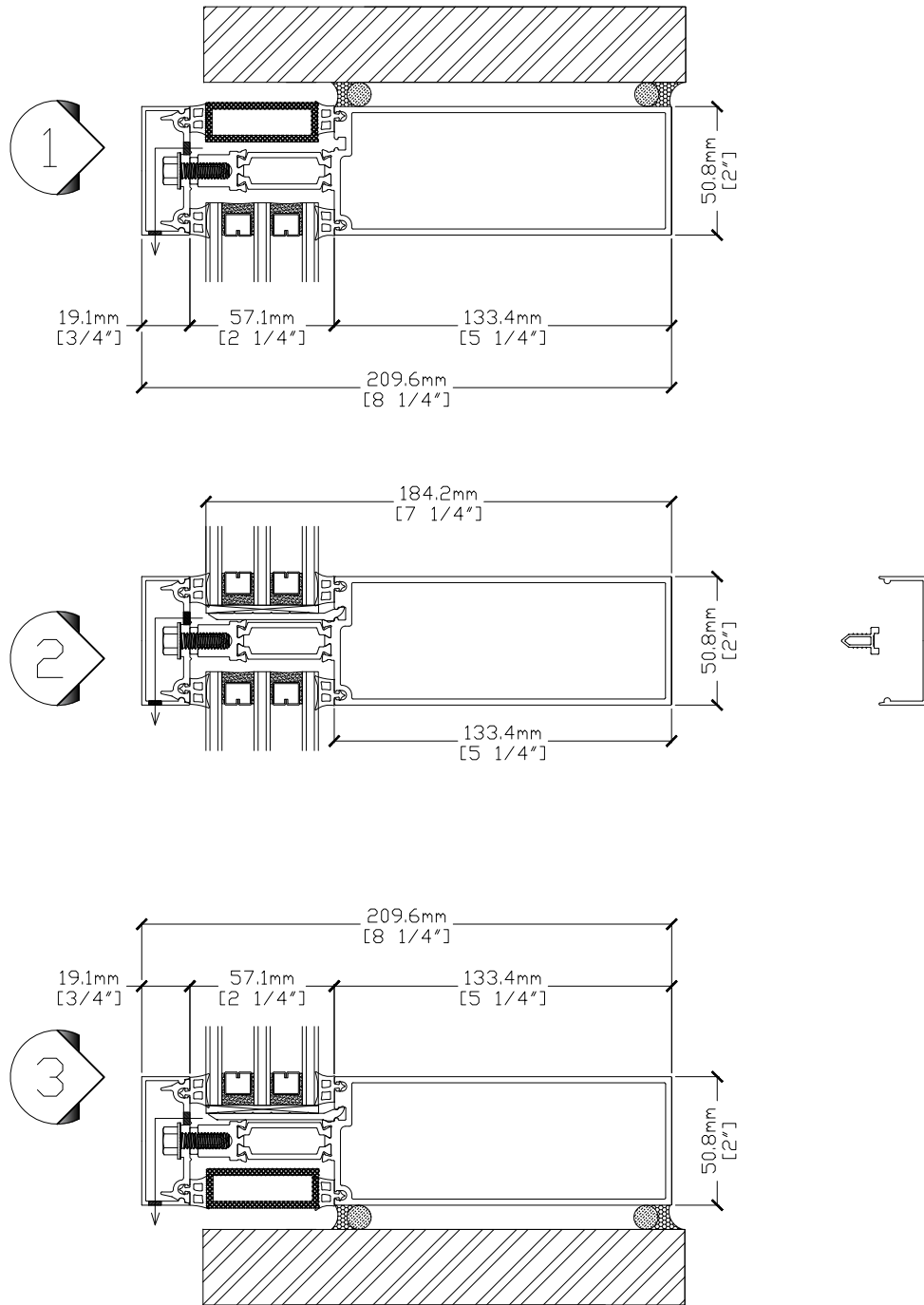
5200 CURTAIN WALL (Triple Glazed)

5200.30.30.0
SECTION 133.4mm (5 1/4")



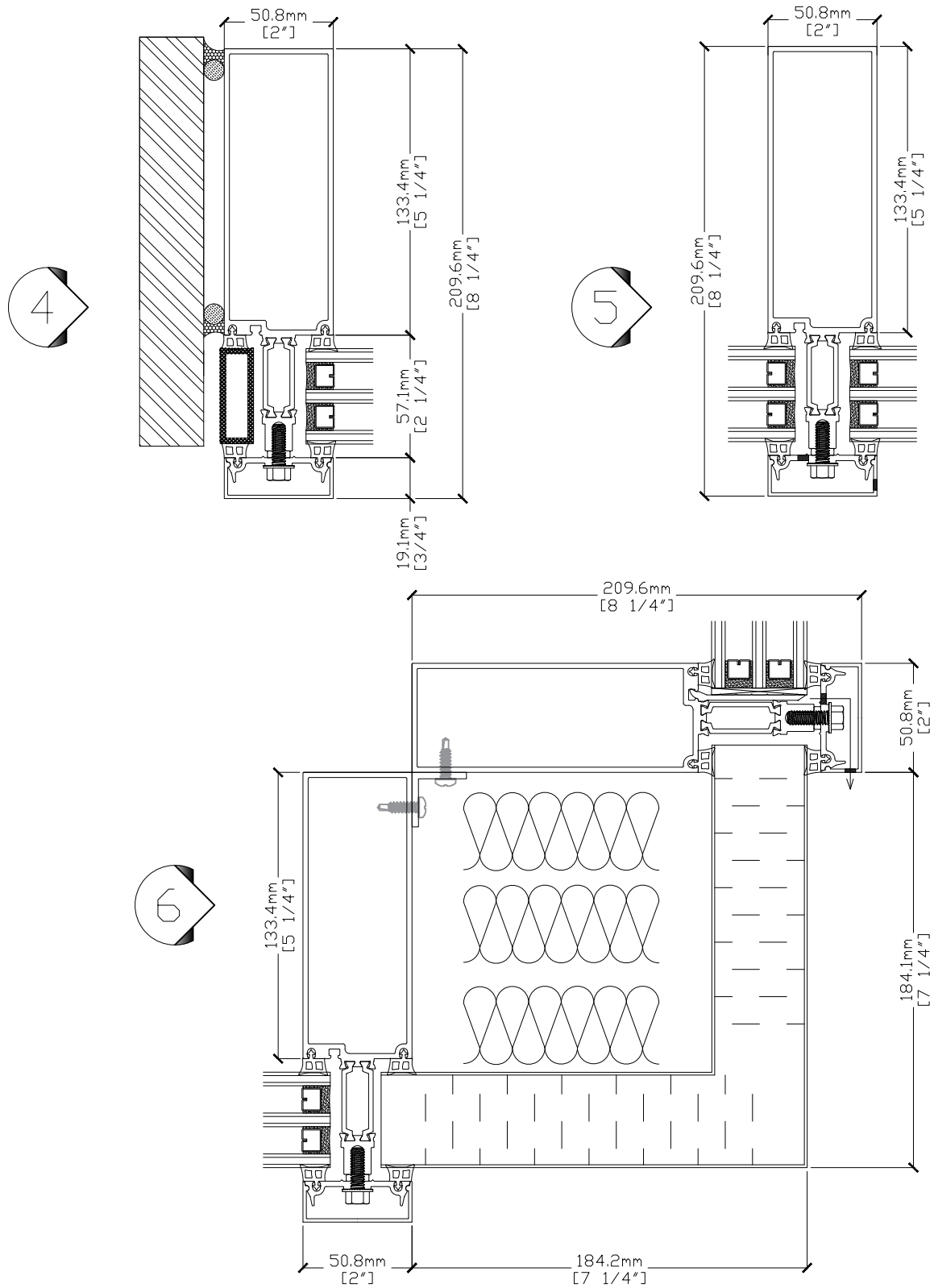
5200 CURTAIN WALL (Triple Glazed)

5200.30.30.1
SECTION 133.4mm (5 1/4")



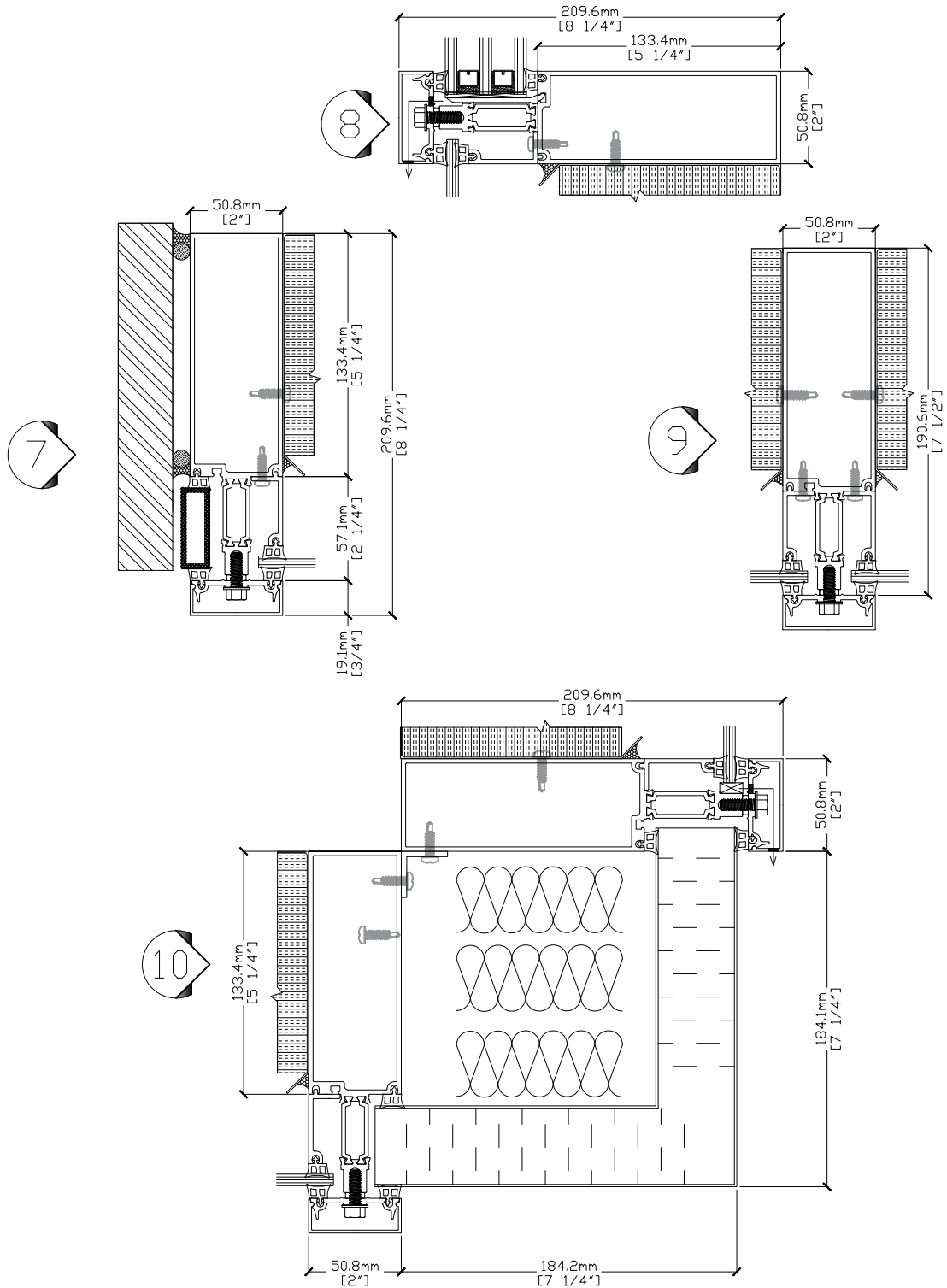
5200 CURTAIN WALL (Triple Glazed)

5200.30.30.2
SECTION 133.4mm (5 1/4")



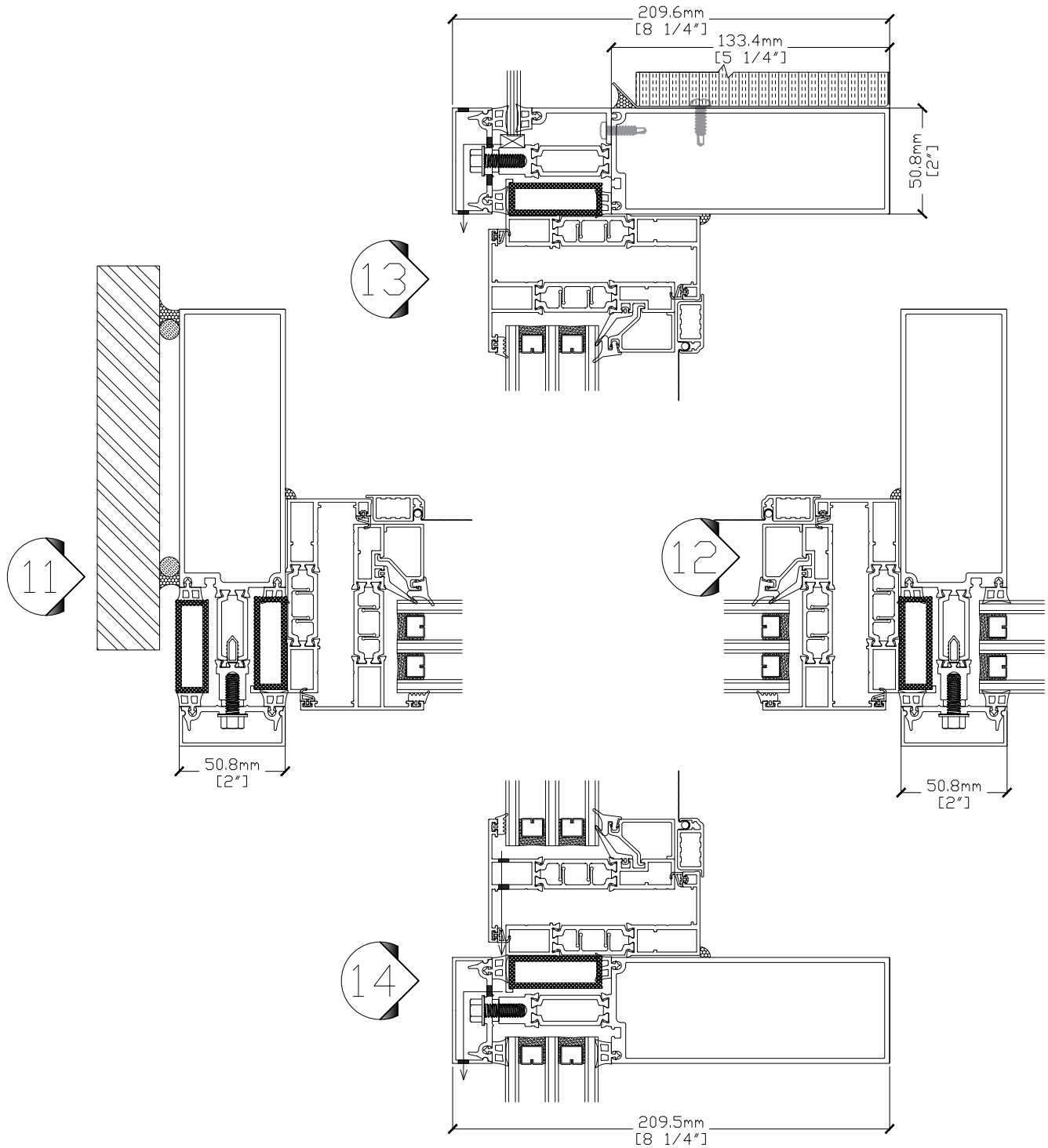
5200 CURTAIN WALL (Triple Glazed)

5200.30.30.3
SECTION 133.4mm (5 1/4")



5200 CURTAIN WALL (Triple Glazed)

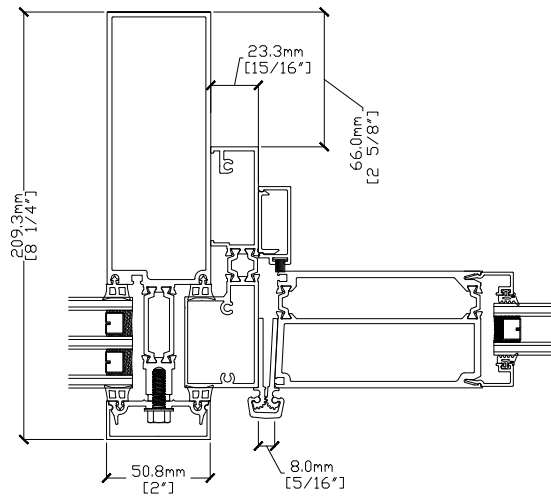
5200.30.30.4
SECTION 133.4mm (5 1/4")



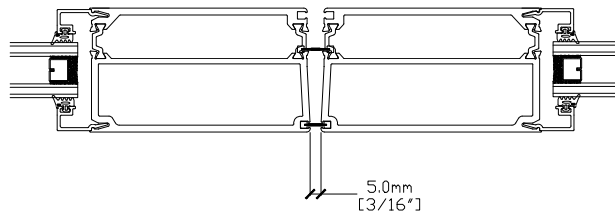
5200 CURTAIN WALL (Triple Glazed)

5200.30.30.5
SECTION 133.4mm (5 1/4")

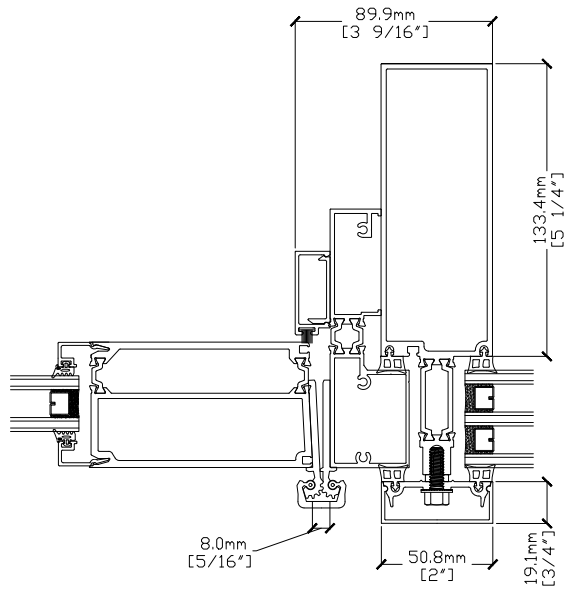
15



16

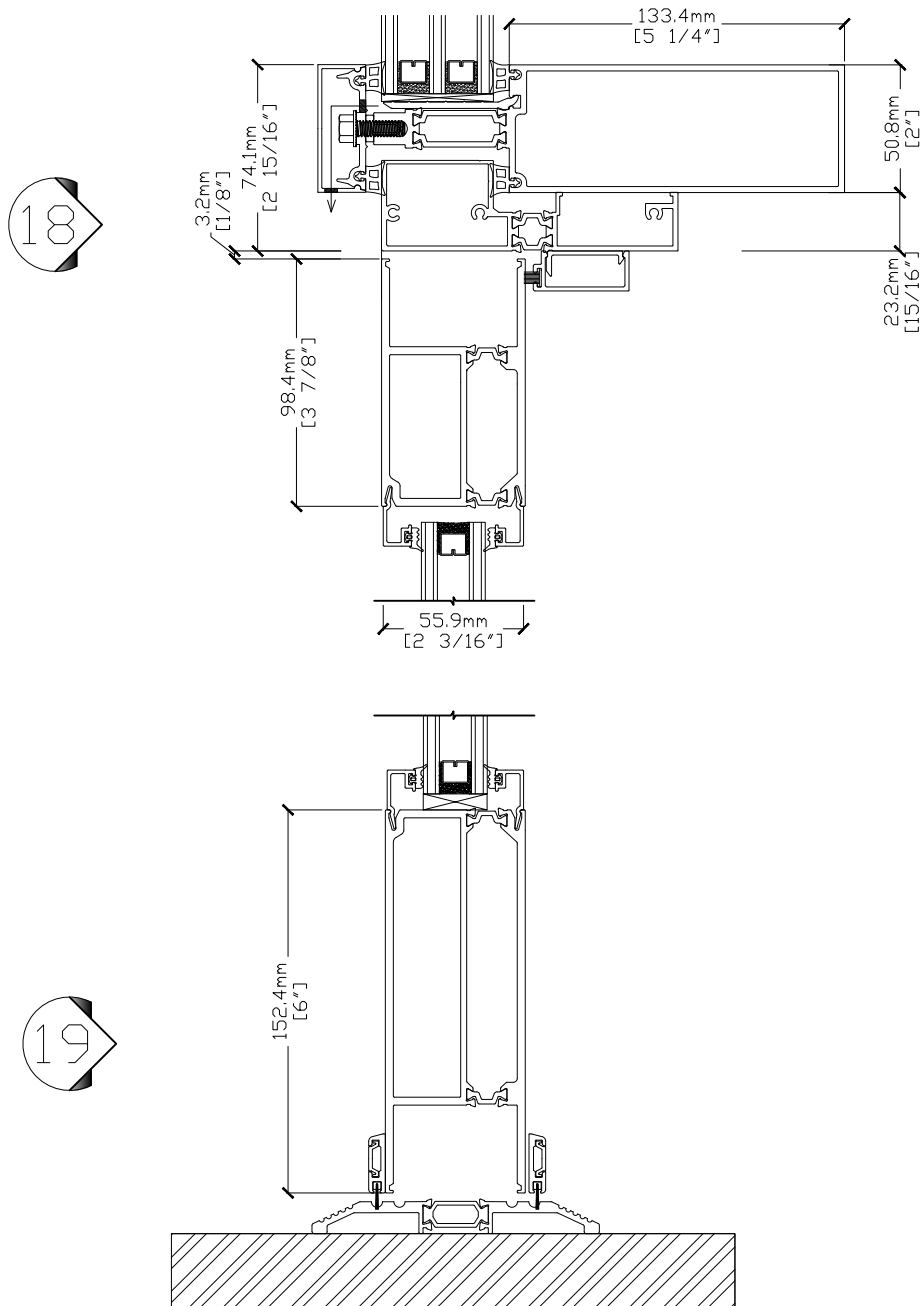


17



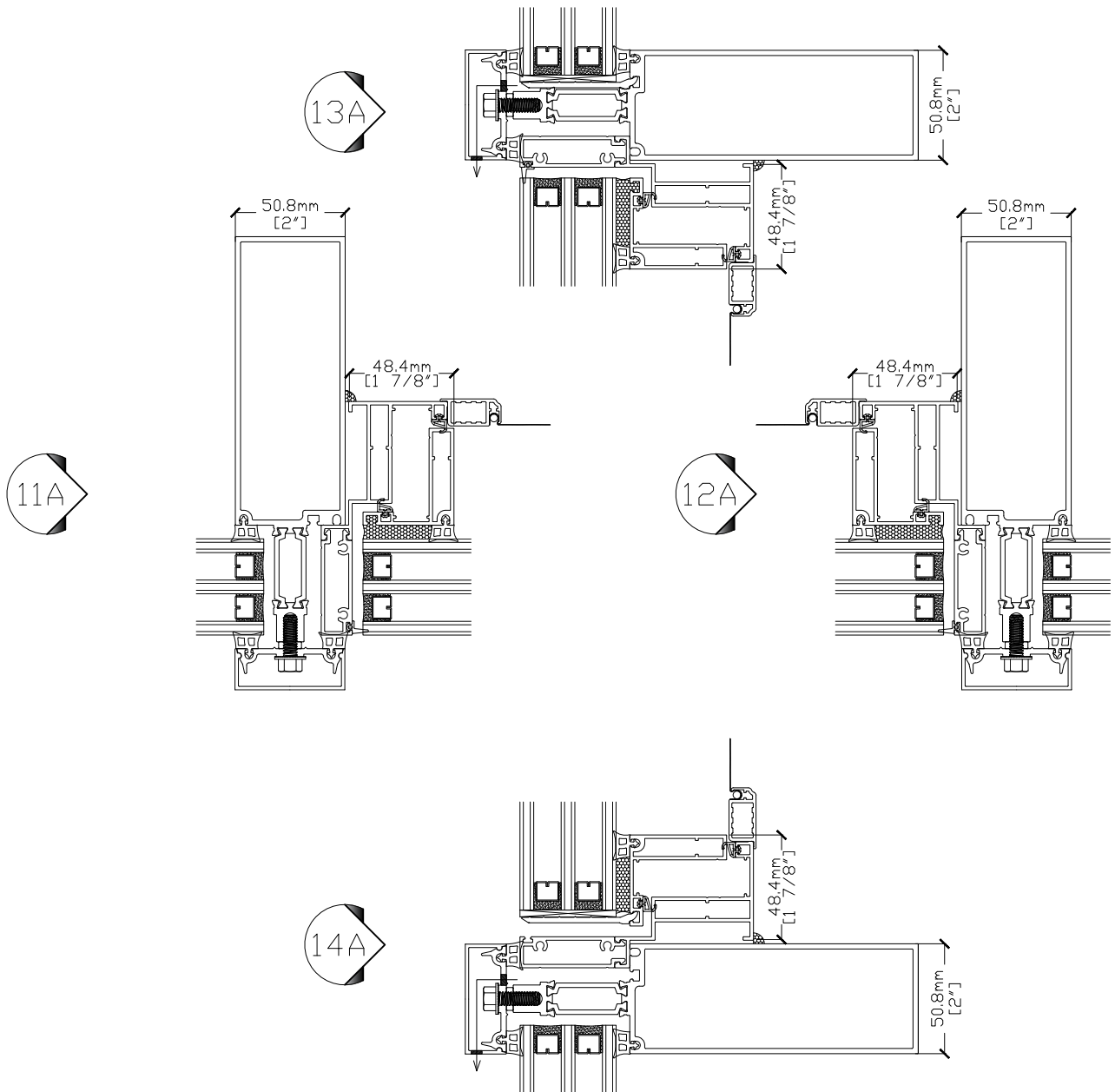
5200 CURTAIN WALL (Triple Glazed)

5200.30.30.6
SECTION 133.4mm (5 1/4")



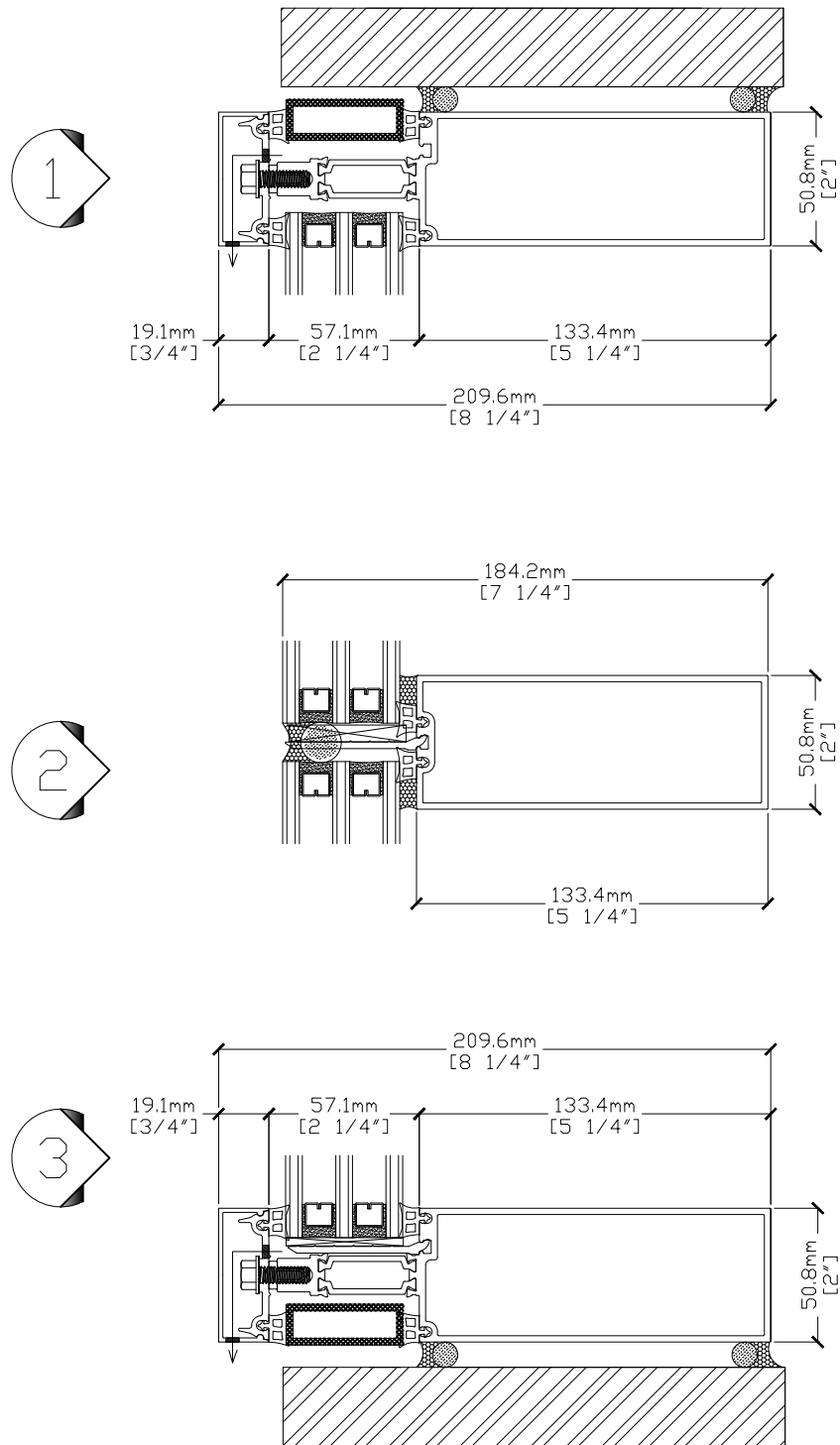
5200 CURTAIN WALL (Triple Glazed)

5200.30.30.7
SECTION 133.4mm (5 1/4")



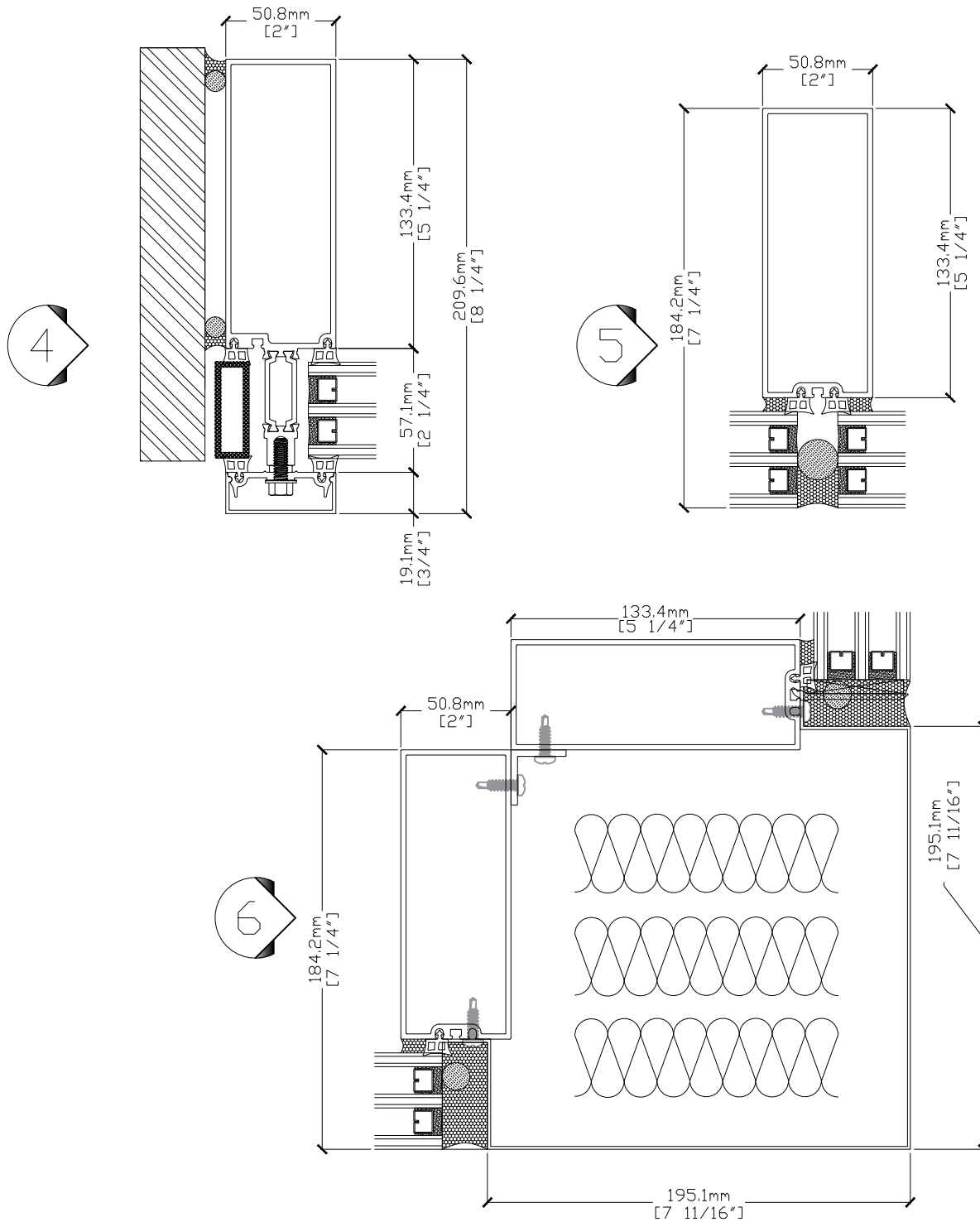
5200 CURTAIN WALL (Triple Glazed)

5200.30.35.1
SECTION 133.4mm (5 1/4")



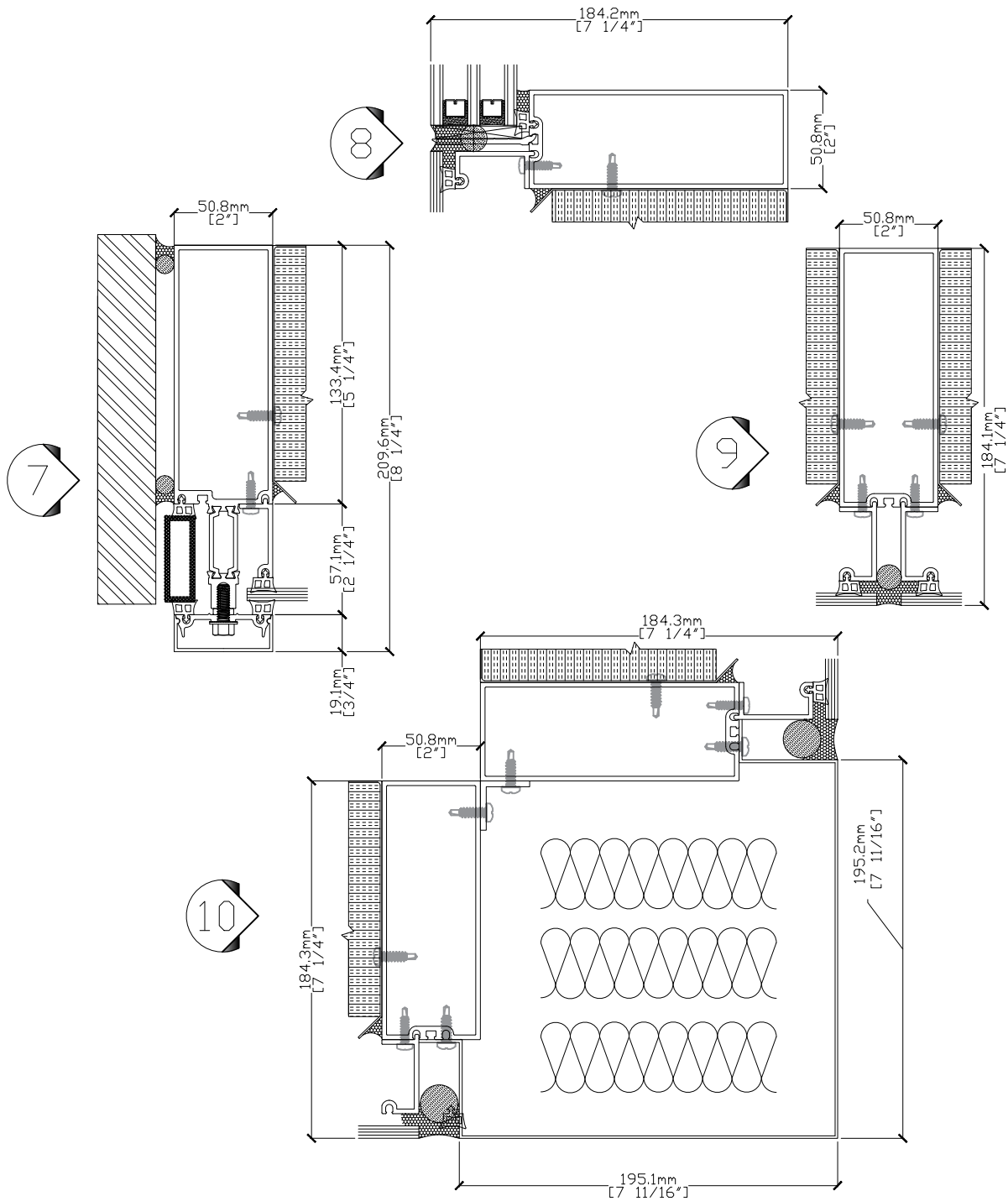
5200 CURTAIN WALL (Triple Glazed)

5200.30.35.2
SECTION 133.4mm (5 1/4")



5200 CURTAIN WALL (Triple Glazed)

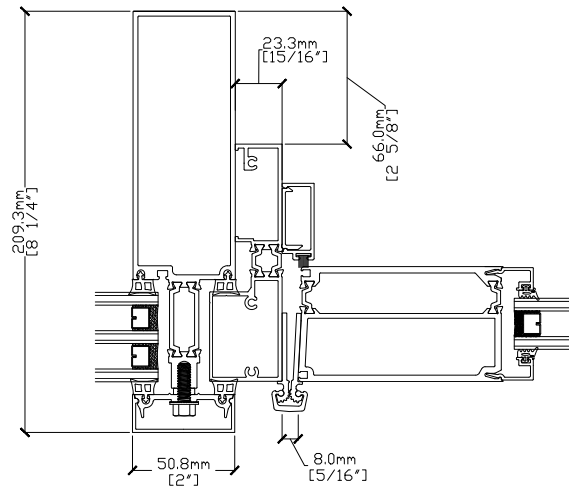
5200.30.35.3
SECTION 133.4mm (5 1/4")



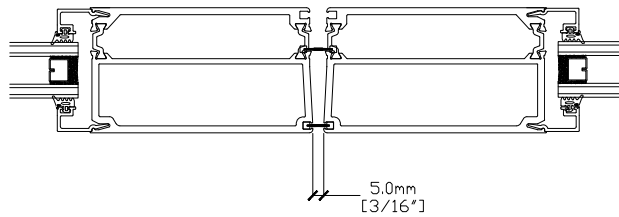
5200 CURTAIN WALL (Triple Glazed)

5200.30.35.4
SECTION 133.4mm (5 1/4")

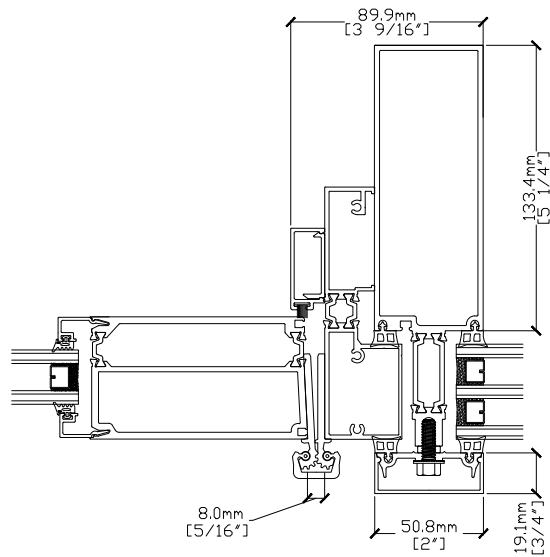
15



16

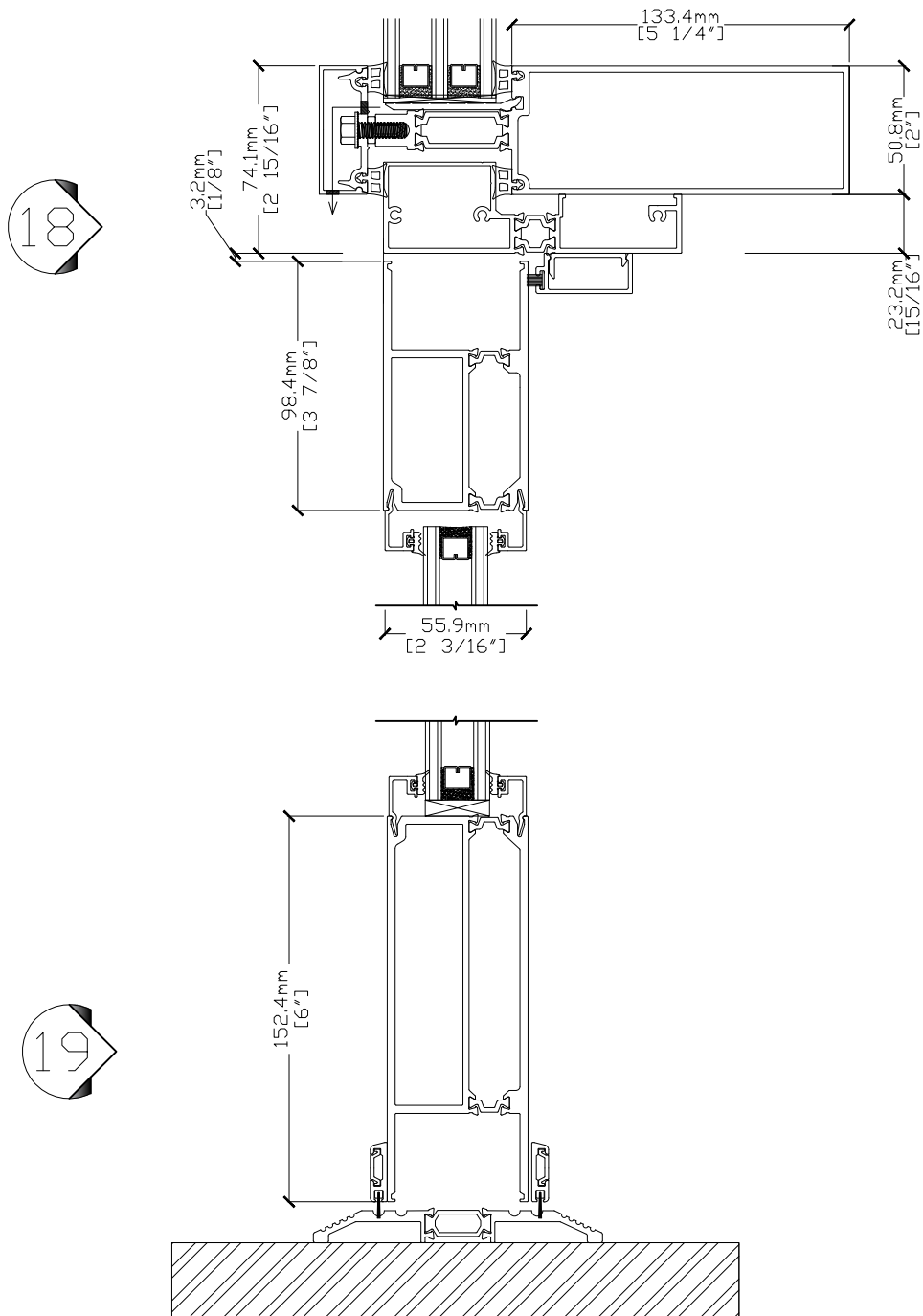


17



5200 CURTAIN WALL (Triple Glazed)

5200.30.35.5
SECTION 133.4mm (5 1/4")



5200 CURTAIN WALL (Triple Glazed)

5200.30.35.6
SECTION 133.4mm (5 1/4")

