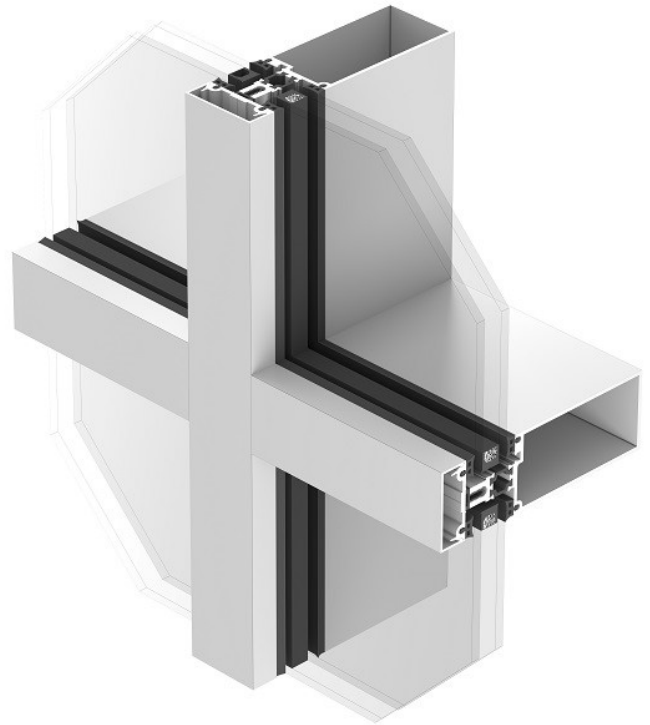


# 5200 CURTAIN WALL



## BACK SECTION SIZES

50.8mm X 73.0mm (2" X 2 7/8")

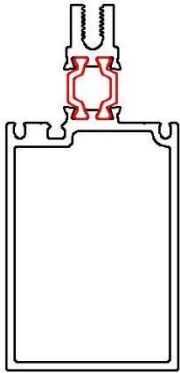
50.8mm X 101.6mm (2" X 4")

50.8mm X 133.4mm (2" X 5 1/4")

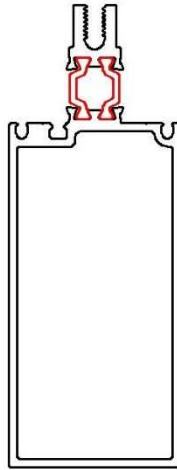
## PRODUCT FEATURES

- Slim profile for wider visibility
- High-performance polyamide thermal break
- Exterior glazing
- SSG and capped options
- Durable EPDM seal gaskets on exterior and interior
- Rain screen system
- Setting for either double glazing and triple glazing
- Steel reinforcement available
- Standard finish in clear anodized and black anodized, options to different colors on exterior and interior
- Flexible to custom design and unlimited integration to standard and/or any sizes of doors/vents

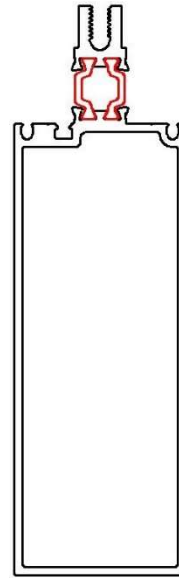
# 5200 CURTAIN WALL



BACK SECTION 2" X 2 7/8"



BACK SECTION 2" X 4"



BACK SECTION 2" X 5 1/4"

## SIZE DETAILS

| Glass Option  | Back Section Size              | System Depth     | Thermal Break Depth | Sightline      |
|---|--------------------------------|------------------|---------------------|----------------|
| Double Glazed<br>(1" overall infill,<br>3/4" cap)     | 50.8mm X 69.9mm (2" X 2 7/8")  | 130.2mm (5 1/8") | 18.0mm<br>(11/16")  | 50.8mm<br>(2") |
|   | 50.8mm X 101.6mm (2" X 4")     | 158.8mm (6 1/4") |                     |                |
|   | 50.8mm X 133.4mm (2" X 5 1/4") | 190.5mm (7 1/2") |                     |                |
| Triple Glazed<br>(1 3/4" overall infill,<br>3/4" cap) | 50.8mm X 69.9mm (2" X 2 7/8")  | 149.2mm (5 7/8") | 37.0mm<br>(1 7/16") |                |
|   | 50.8mm X 101.6mm (2" X 4")     | 177.8mm (7")     |                     |                |
|   | 50.8mm X 133.4mm (2" X 5 1/4") | 209.6mm (8 1/4") |                     |                |

## PERFORMANCE

| Product designation | Air Leakage Resistance                              | Water Penetration Resistance | Uniform Load Deflection         | Uniform Load Structural  | Forced-entry Resistance | U-factor           |
|---------------------|---|------------------------------|---------------------------------|--|-------------------------|--------------------|
| Class CW-PG80       | 0.01 L/s/m2<br>(0.01 cfm/ft2)<br>@ 75 Pa (1.60 psf) | 720 Pa<br>(15.04 psf)        | Design<br>3840 Pa<br>(80.2 psf) | Design:<br>3840 Pa (80.2 psf)<br>Maximum:<br>5760 Pa (120.3 psf) | F10 rating              | See U-factor Table |