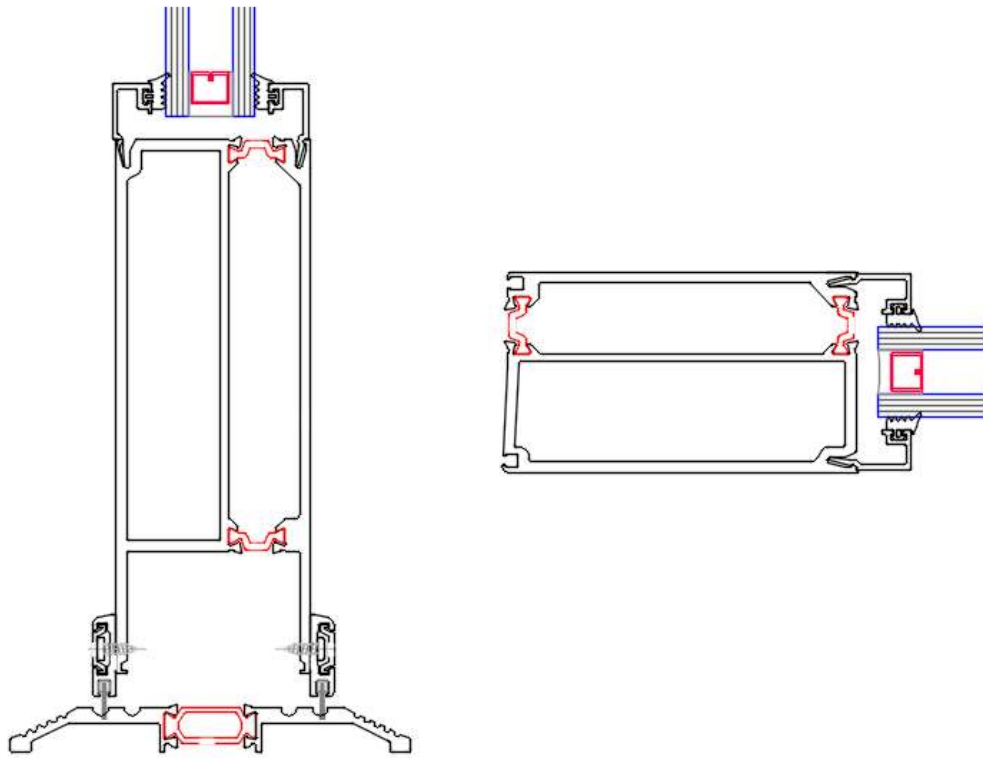


3570 THERMAL ENTRANCE DOOR

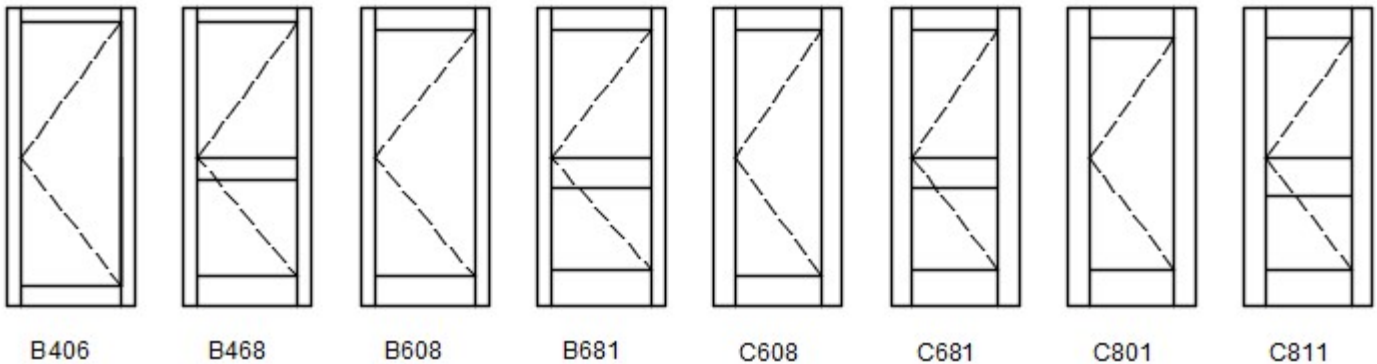


PRODUCT FEATURES

- High performance thermal broken
- Door overall depth 57.2mm (2 1/4")
- Wall thickness: 3.2mm (1/8")
- Door stile 101.6mm (4") or 152.4mm (6")
- Top / bottom / mid-rails are available at 4", 6", 8 1/2", and 10 1/2"
- Welded and shear block corner joint
- EPDM seal gaskets on exterior and interior
- Setting for double and triple glazing
- Compatible with curtain wall and storefront systems
- Can be used in commercial and industrial

3570 THERMAL ENTRANCE DOOR

TYPES	STILES	TOP RAIL	CENTER RAIL	BOTTOM RAIL
B406	4" (101.6mm)	3 7/8" (98.4mm)	NONE	6" (152.4mm)
B468	4" (101.6mm)	3 7/8" (98.4mm)	6" (152.4mm)	8 1/2" (215.9mm)
B608	4" (101.6mm)	6" (152.4mm)	NONE	8 1/2" (215.9mm)
B681	4" (101.6mm)	6" (152.4mm)	8 1/2" (215.9mm)	10 1/2" (266.7mm)
C608	5 3/4 " (146.1mm)	6" (152.4mm)	NONE	8 1/2" (215.9mm)
C681	5 3/4 " (146.1mm)	6" (152.4mm)	8 1/2" (215.9mm)	10 1/2" (266.7mm)
C801	5 3/4 " (146.1mm)	8 1/2" (215.9mm)	NONE	10 1/2" (266.7mm)
C811	5 3/4 " (146.1mm)	8 1/2" (215.9mm)	10 1/2" (266.7mm)	10 1/2" (266.7mm)



Other options are available.

STANDARD DOOR PACKAGE

- Standard hardware: butt hinge, push/pull handle, dead lock, exterior cylinder and interior thumb turn, door sweep, threshold
- Standard pair door is supplied with flush bolts in the inactive door
- Designed with shear block hardware and welded joint
- Standard center rail installation is 1066.8mm (42 inches) from floor line to center line of the mid-rail